

FIG 701

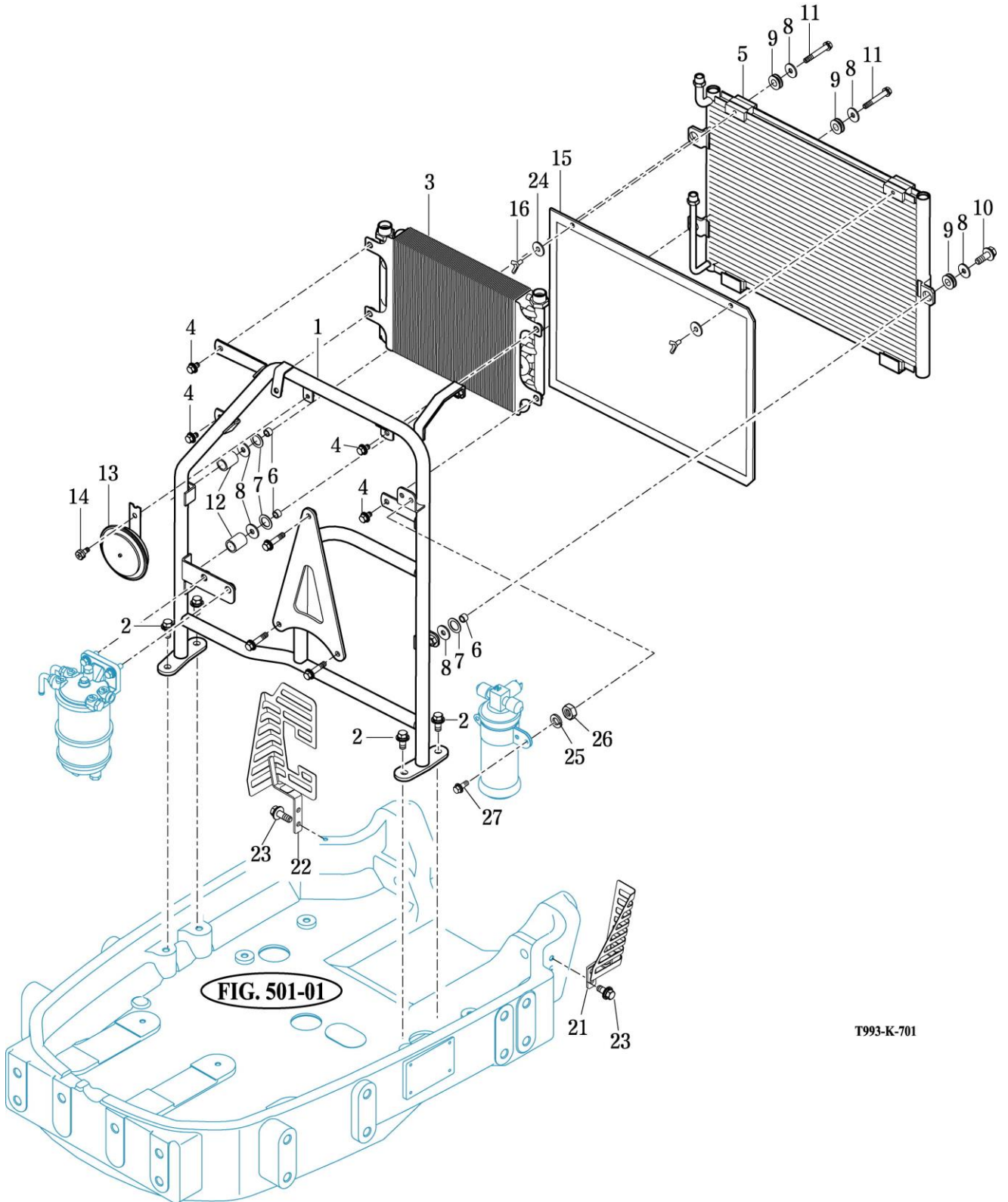
FRONT FRAME SUB

T1003/T903/T803

P1

Year / Month

2010 / 12



T993-K-701

NOTE

FIG 702

FRAME , HOOD

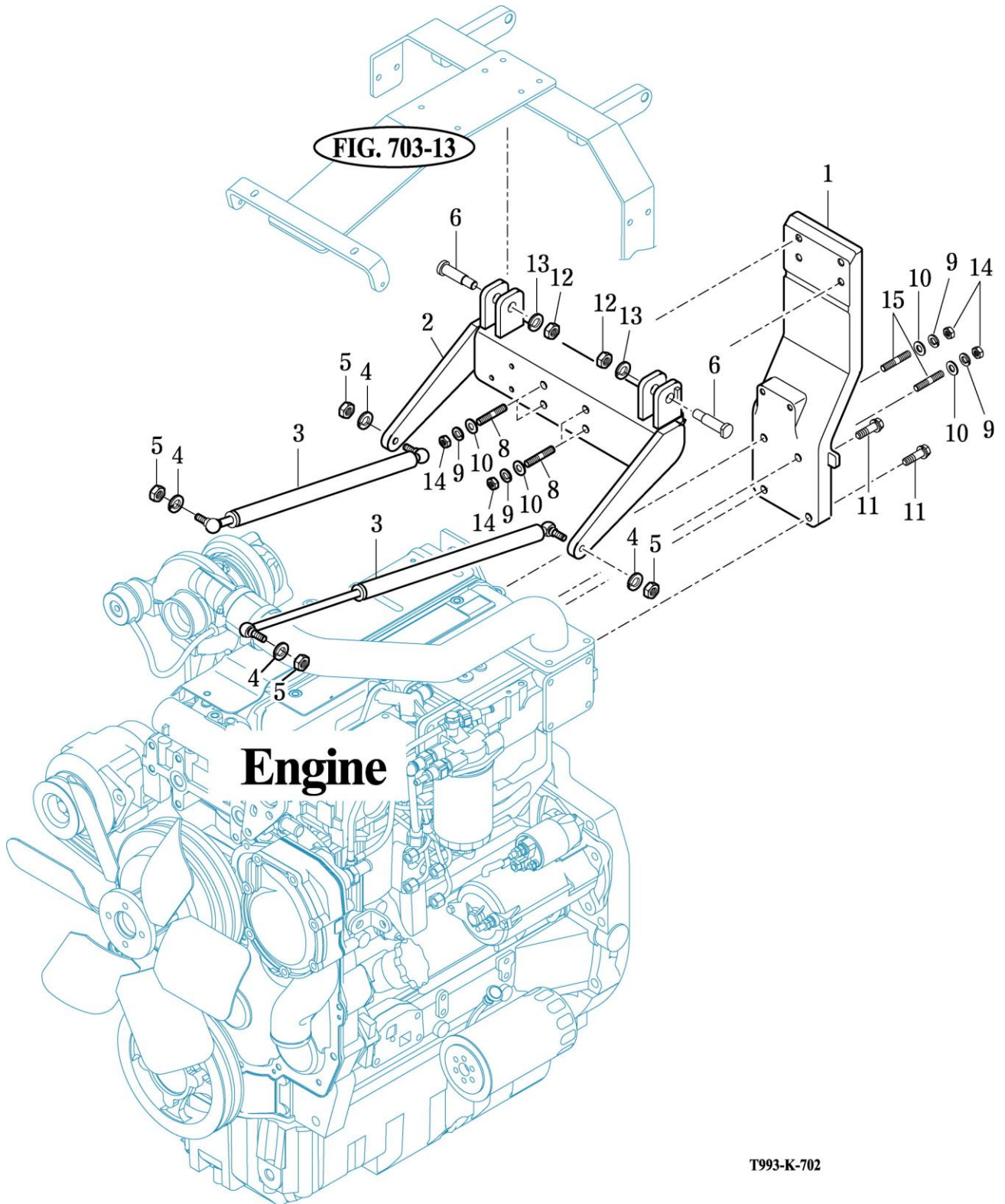
P1

Year / Month

2010 / 12



T1003/T903/T803



T993-K-702

NOTE

FIG 703

HOOD

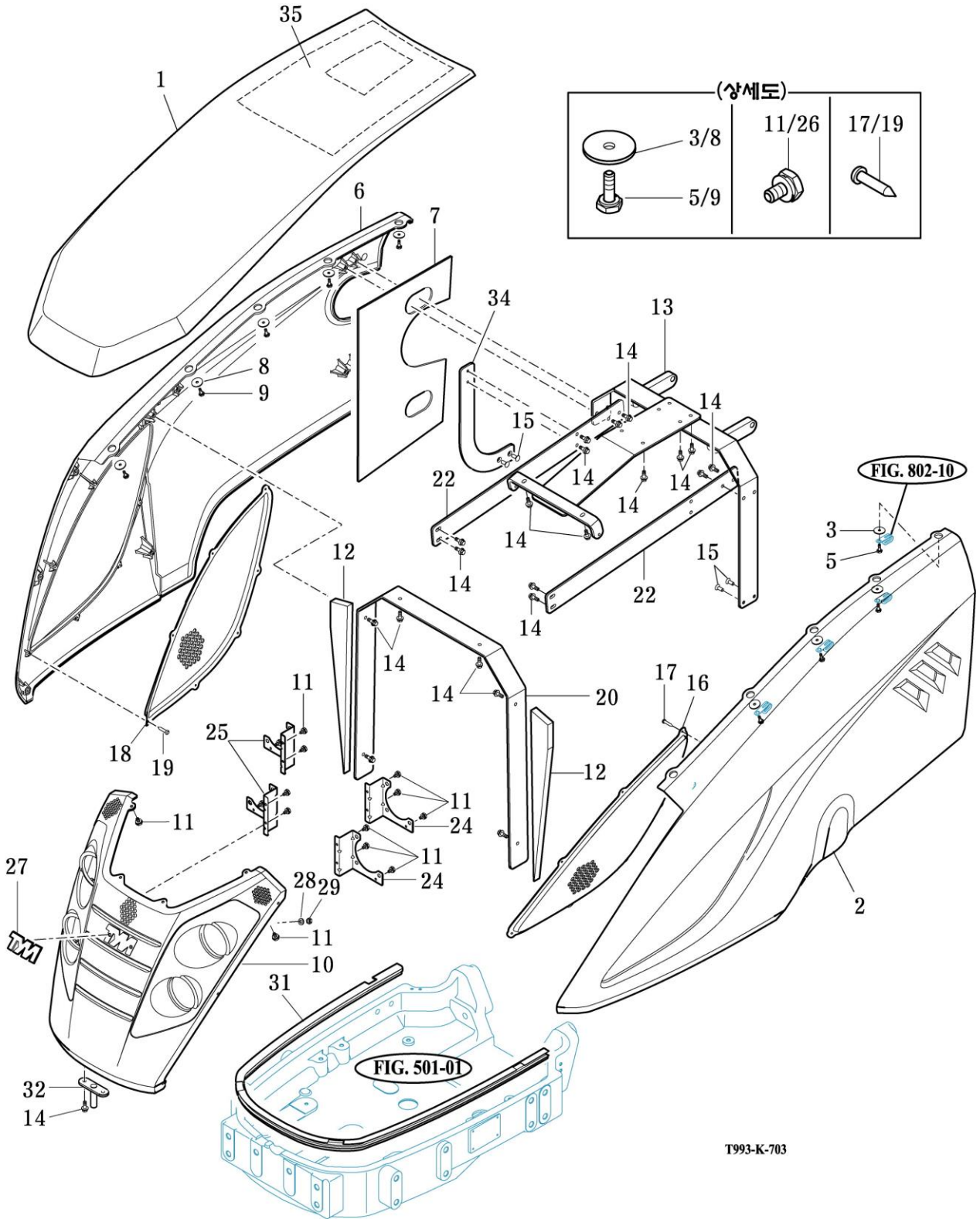
P1

Year / Month

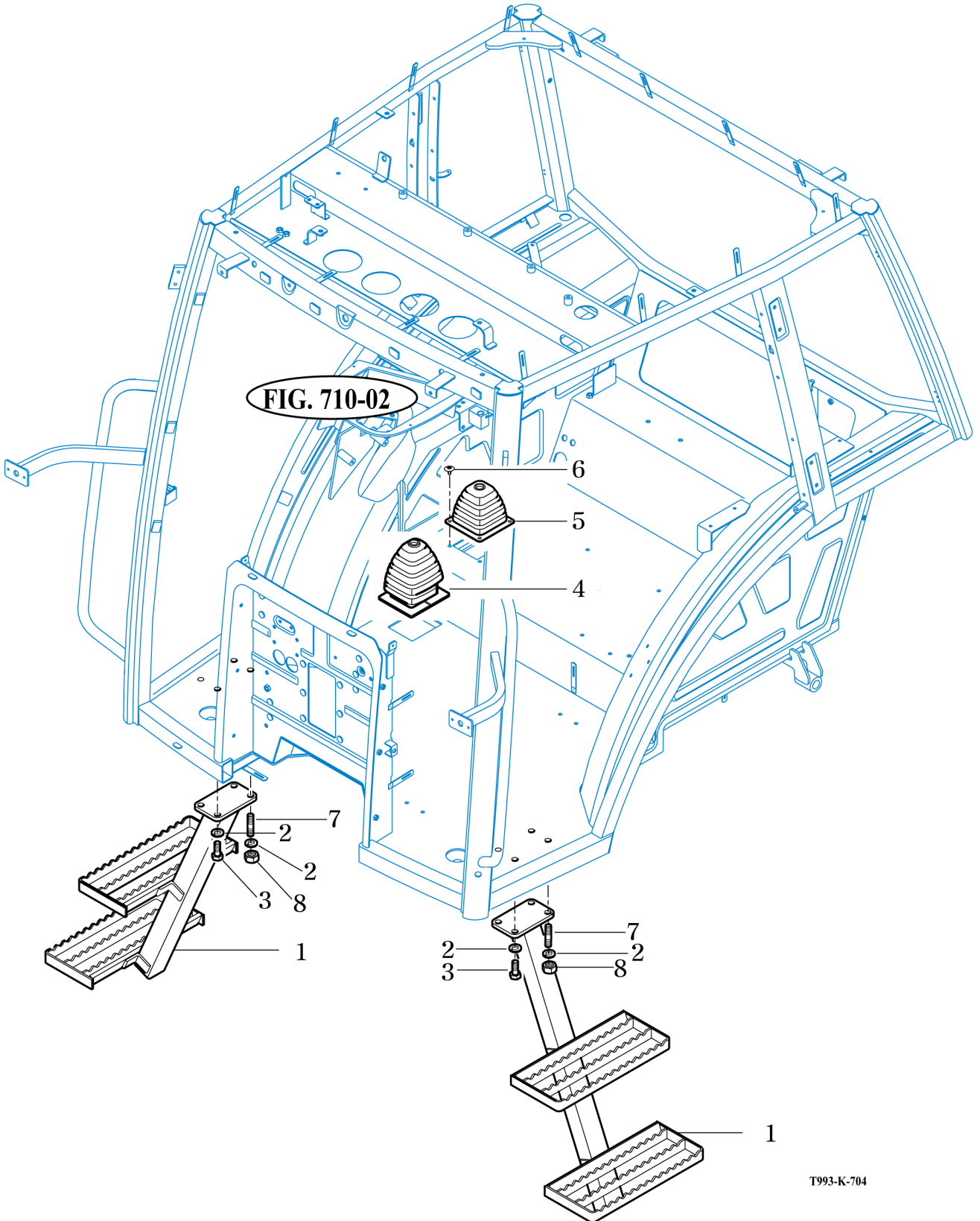
2010 / 12



T1003/T903/T803



NOTE

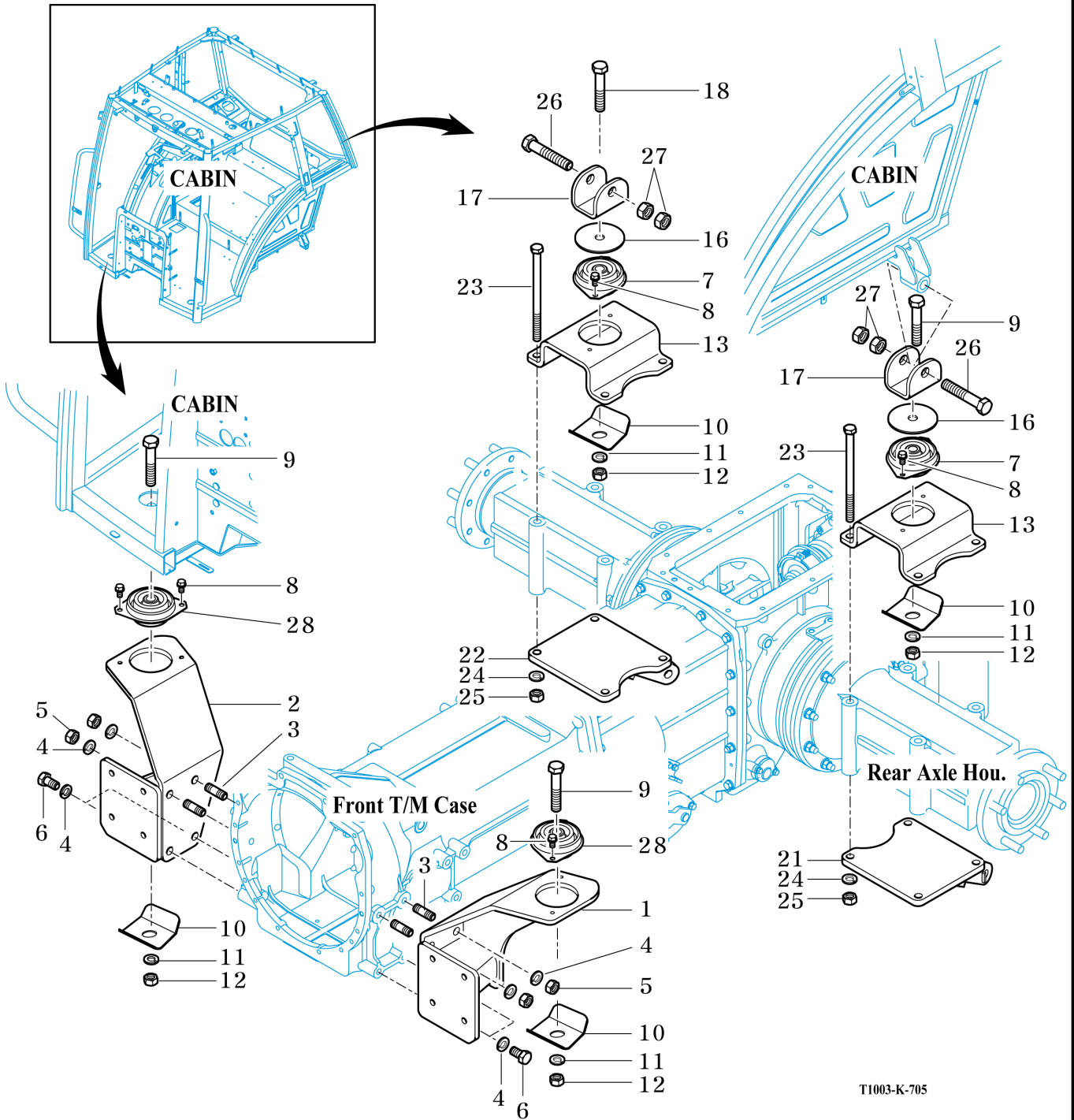


T993-K-704

NOTE



T1003/T903/T803



T1003-K-705

NOTE

FIG 706

SEAT & MAT

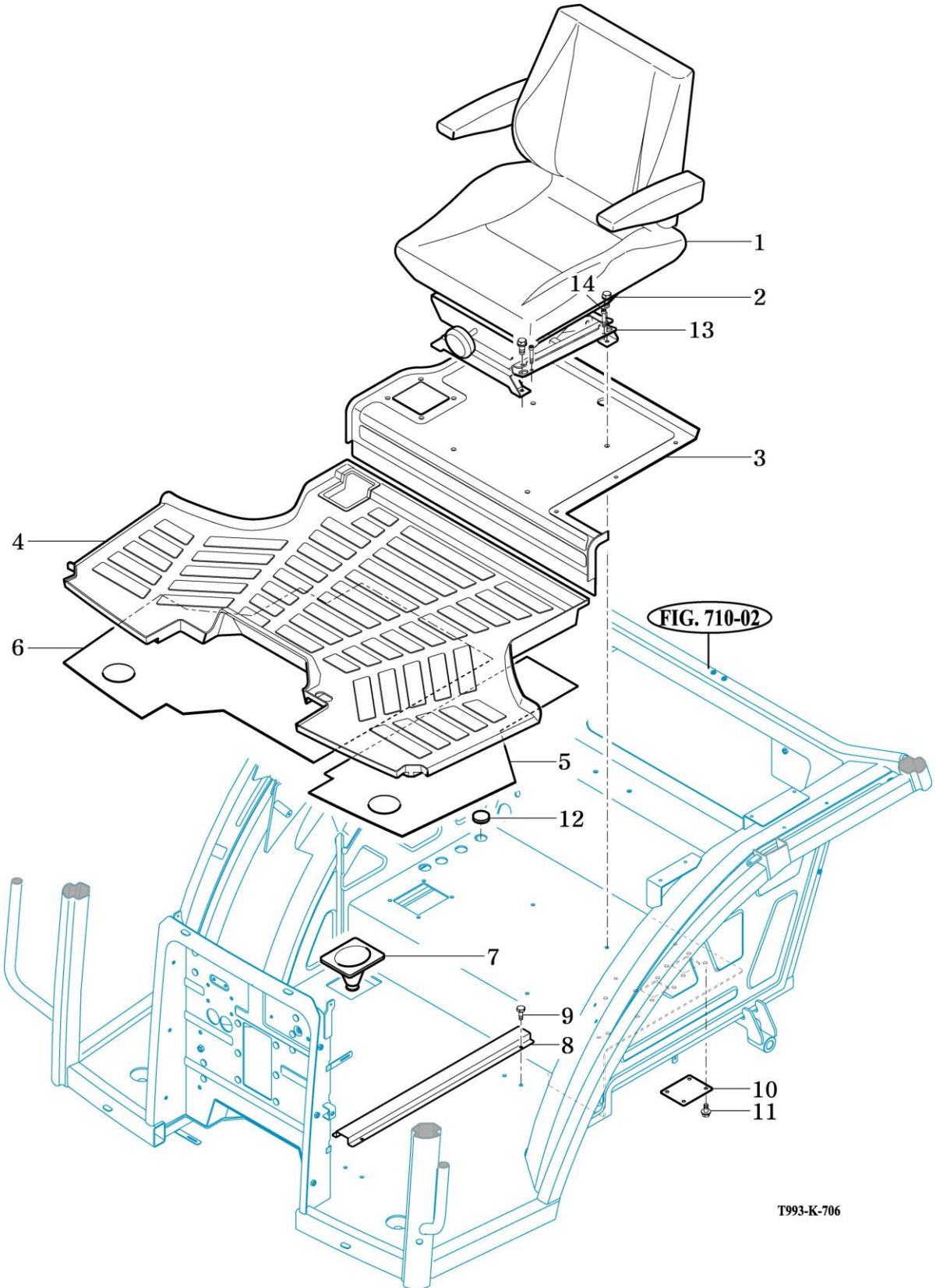
P1

Year / Month

2010 / 12



T1003/T903/T803



T993-K-706

NOTE

FIG 708

DOOR-LH

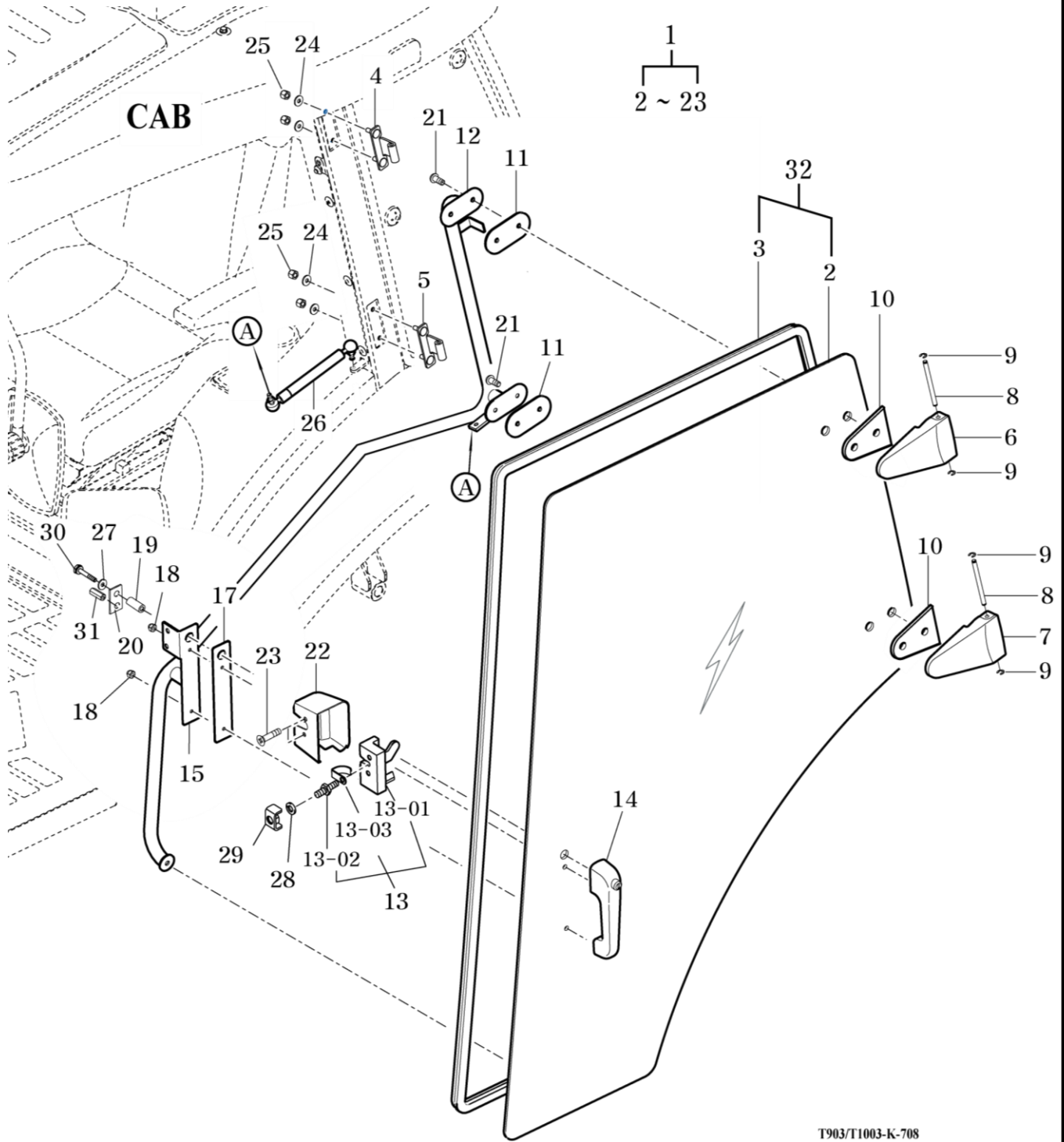
P1

Year / Month

2010 / 12



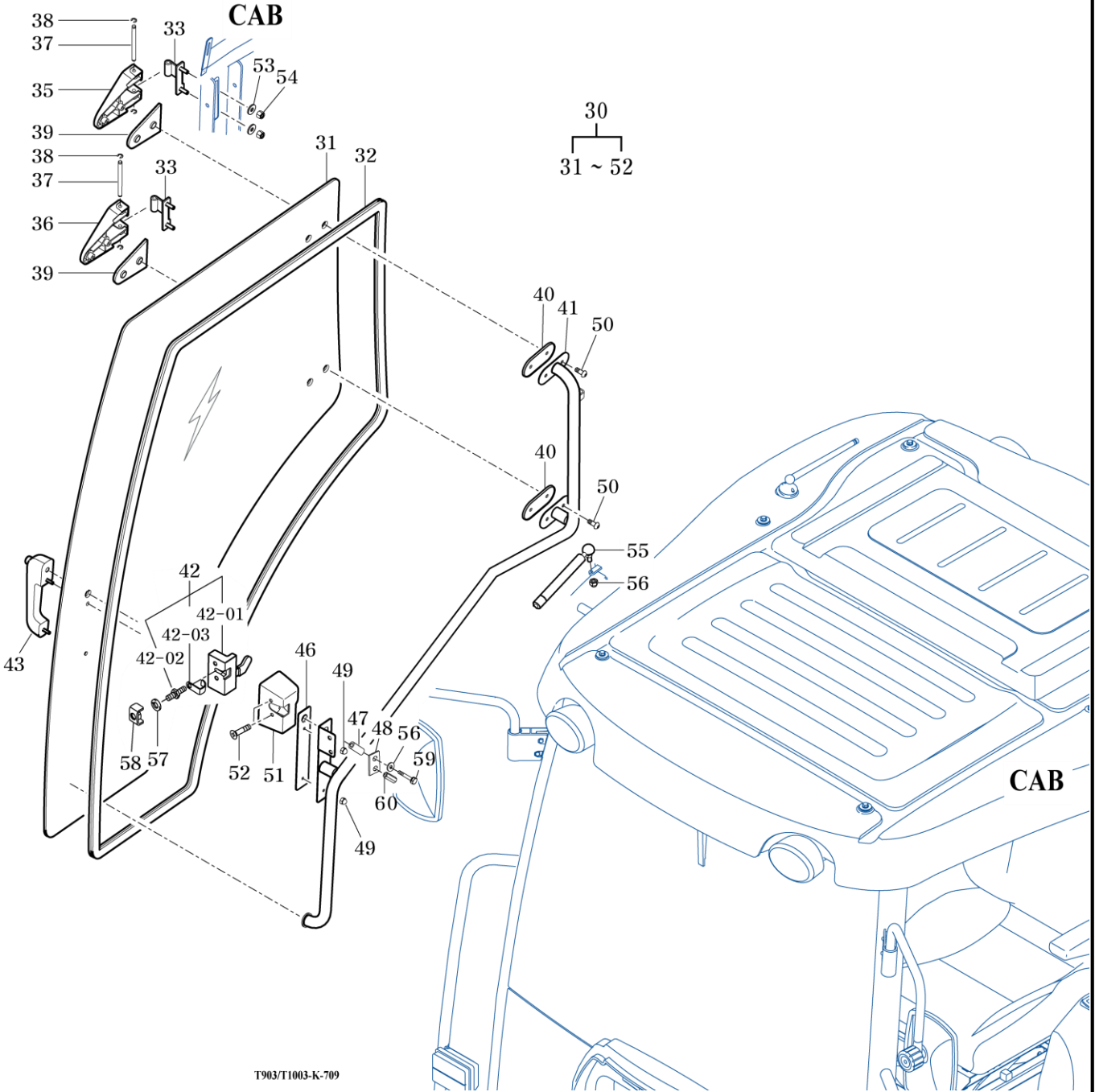
T1003/T903/T803



NOTE



T1003/T903/T803



NOTE

FIG 710

FRAME COMP & FRONT GLASS

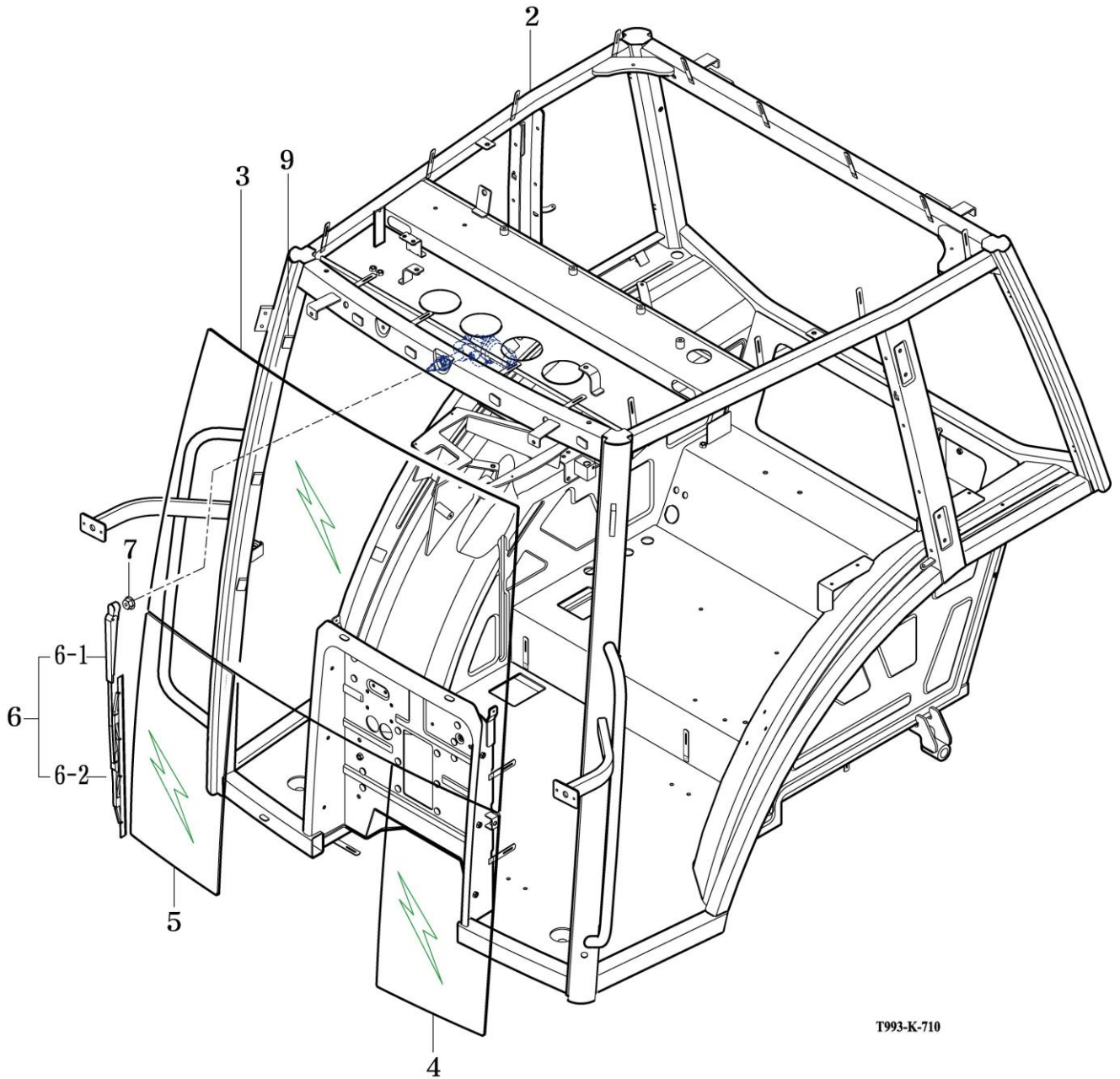
P1

Year / Month

2010 / 12



T1003/T903/T803



T993-K-710

NOTE

FIG 711

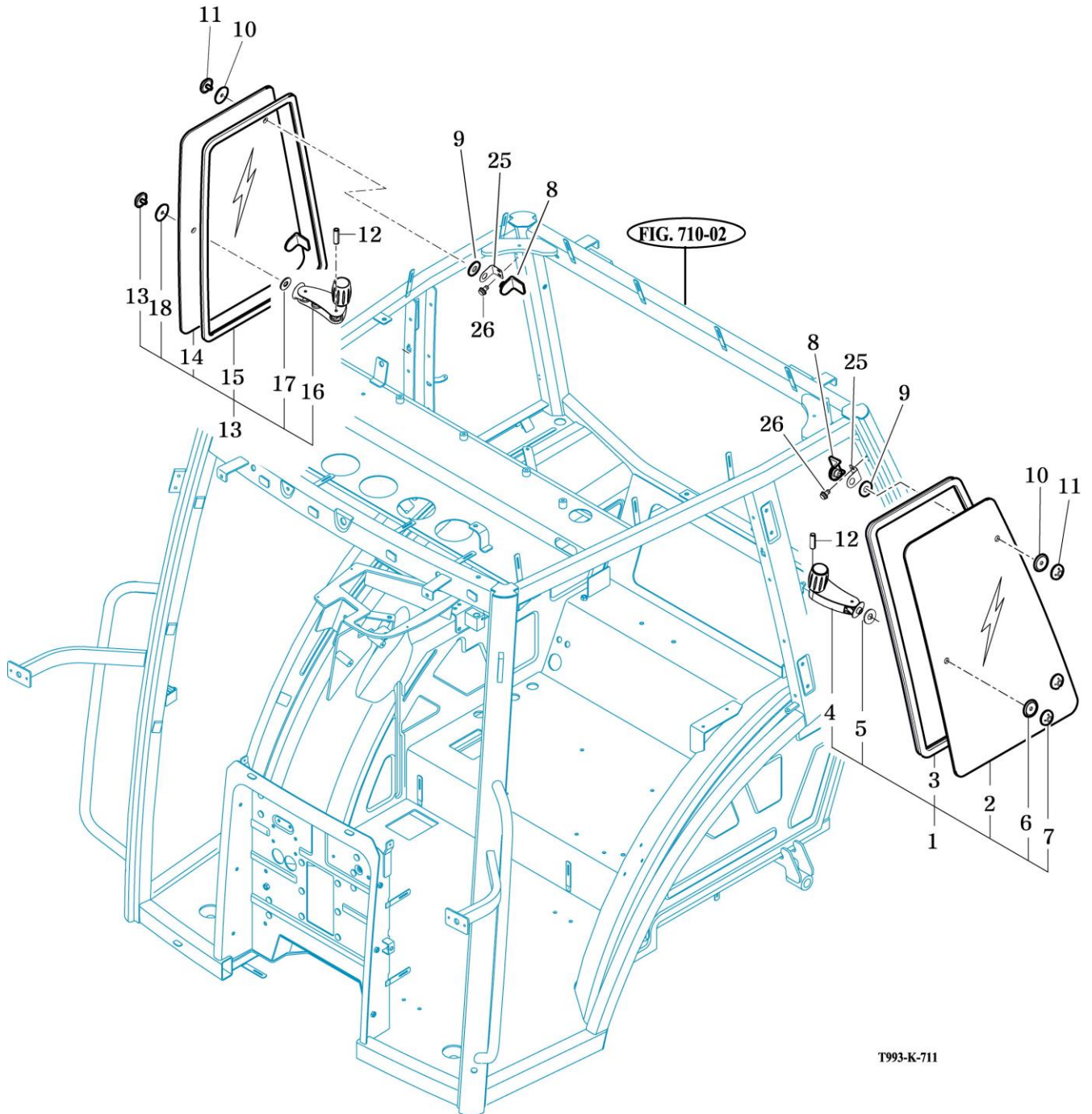
SIDE GLASS

T1003/T903/T803

P1

Year / Month

2010 / 12

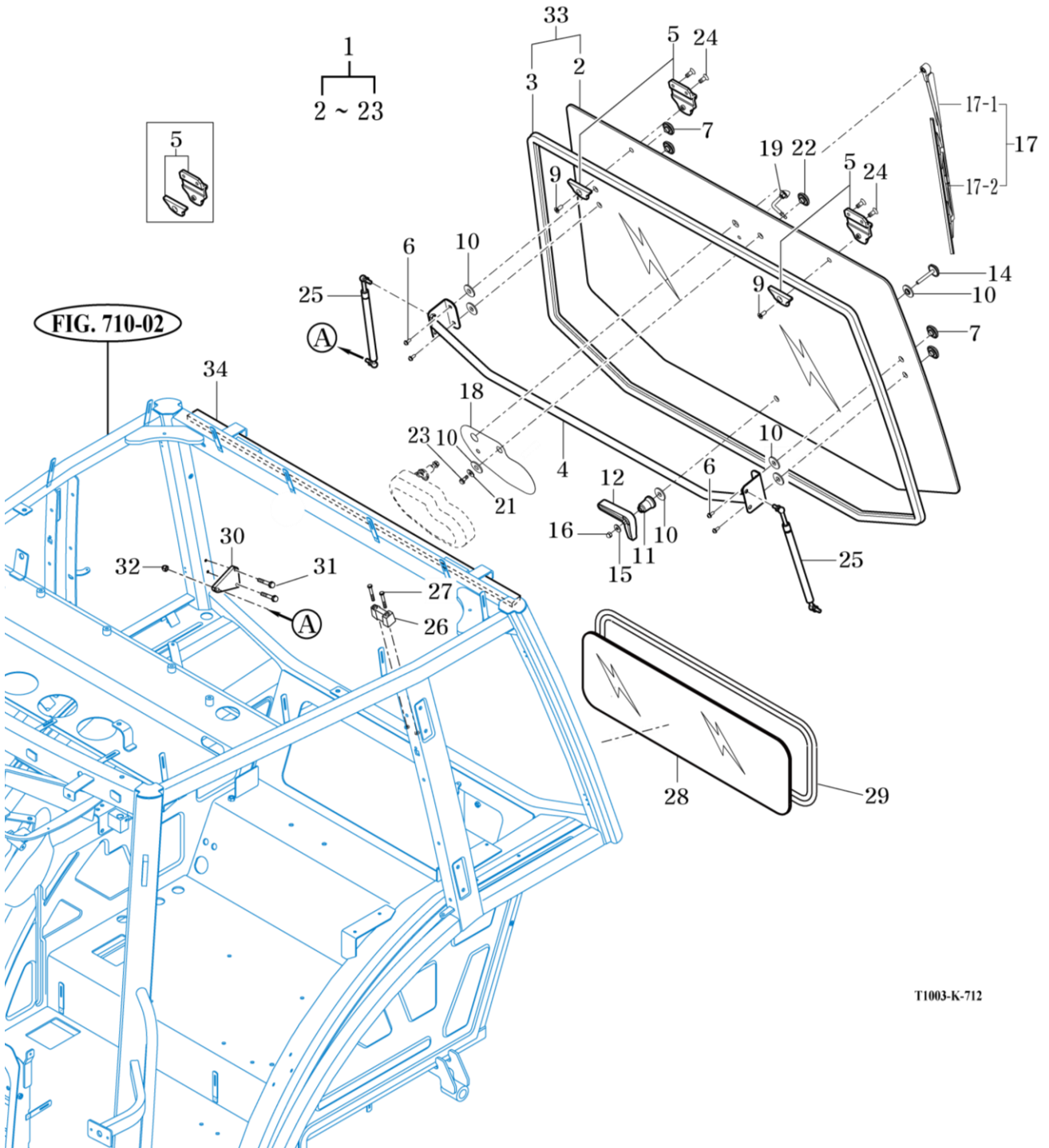


T993-K-711

NOTE



T1003/T903/T803



T1003-K-712

NOTE

FIG 713

SUB FENDER & COVER

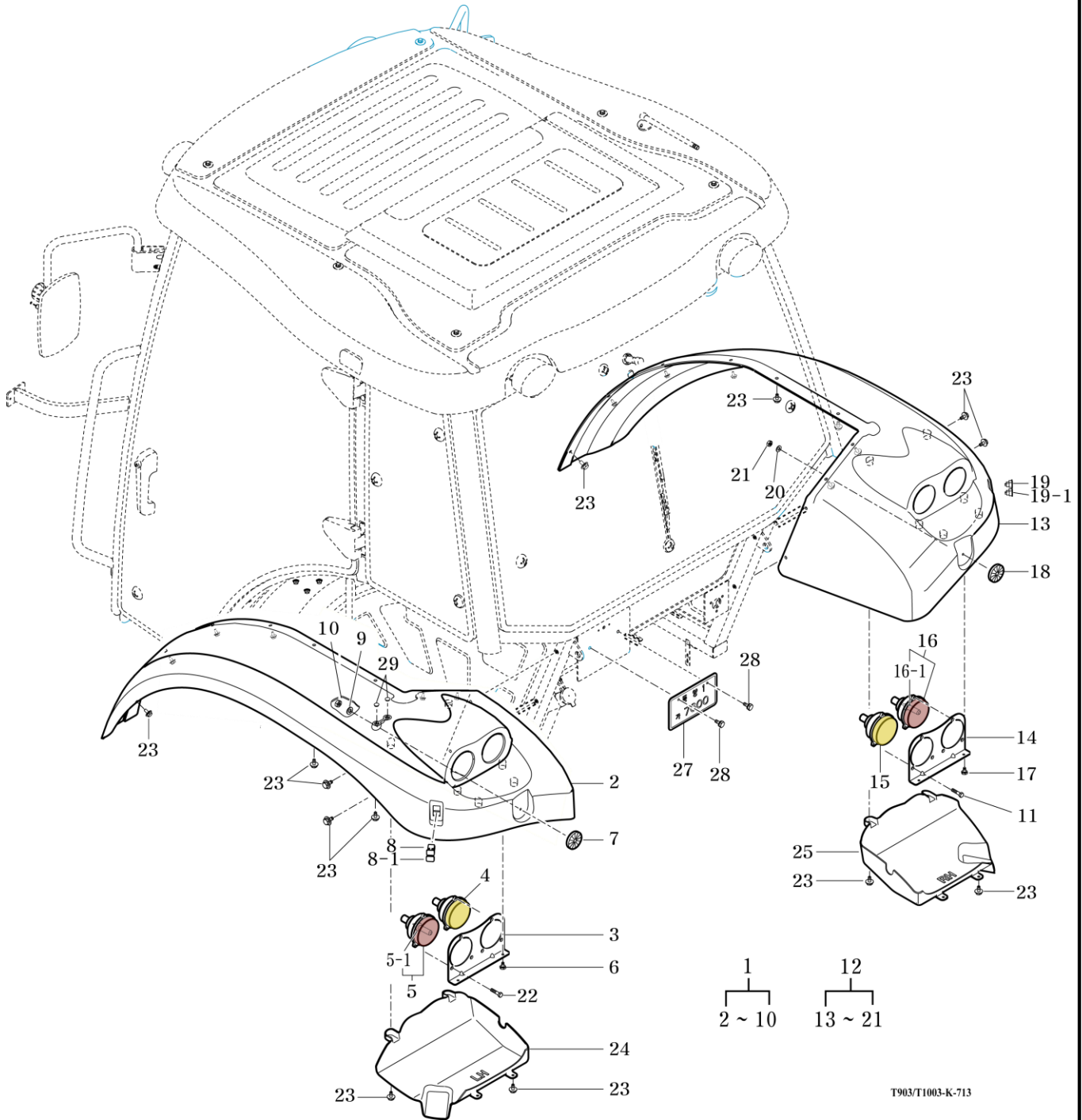
P1

Year / Month

2010 / 12



T1003/T903/T803

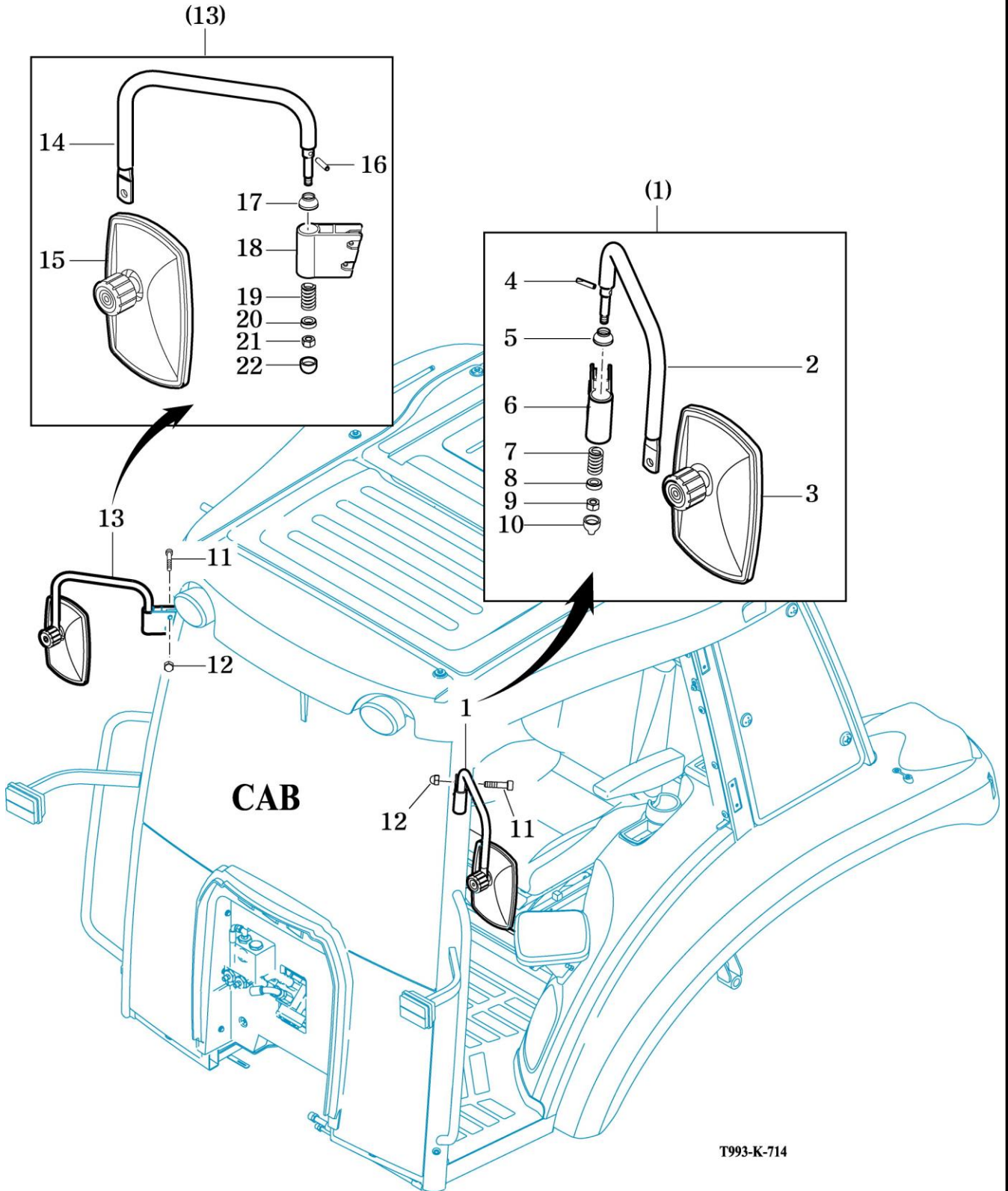


T903/T1003-K-713

NOTE



T1003/T903/T803



NOTE

FIG 715

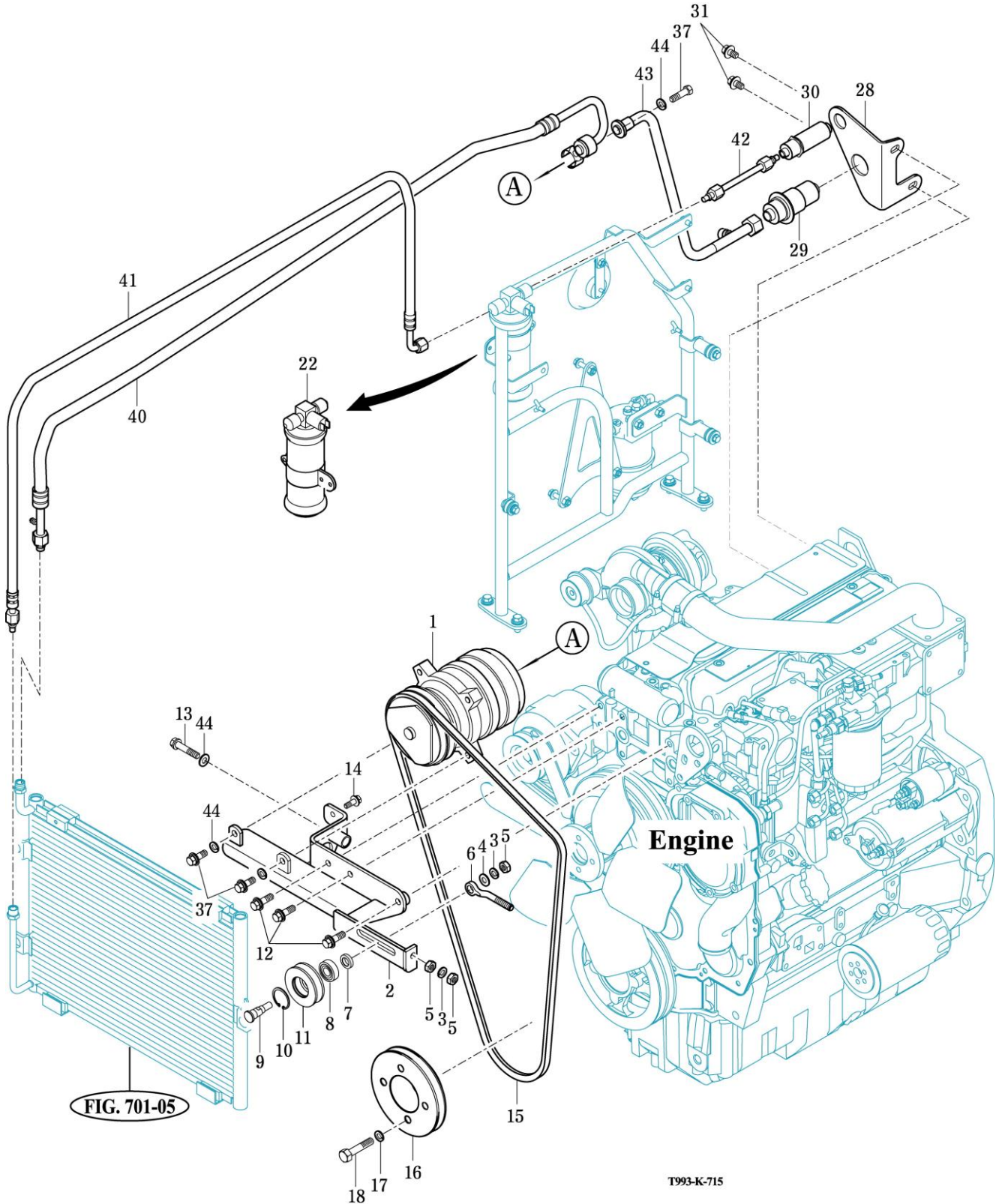
HEATER & AIR-CON (1)

T1003/T903/T803

P1

Year / Month

2010 / 12

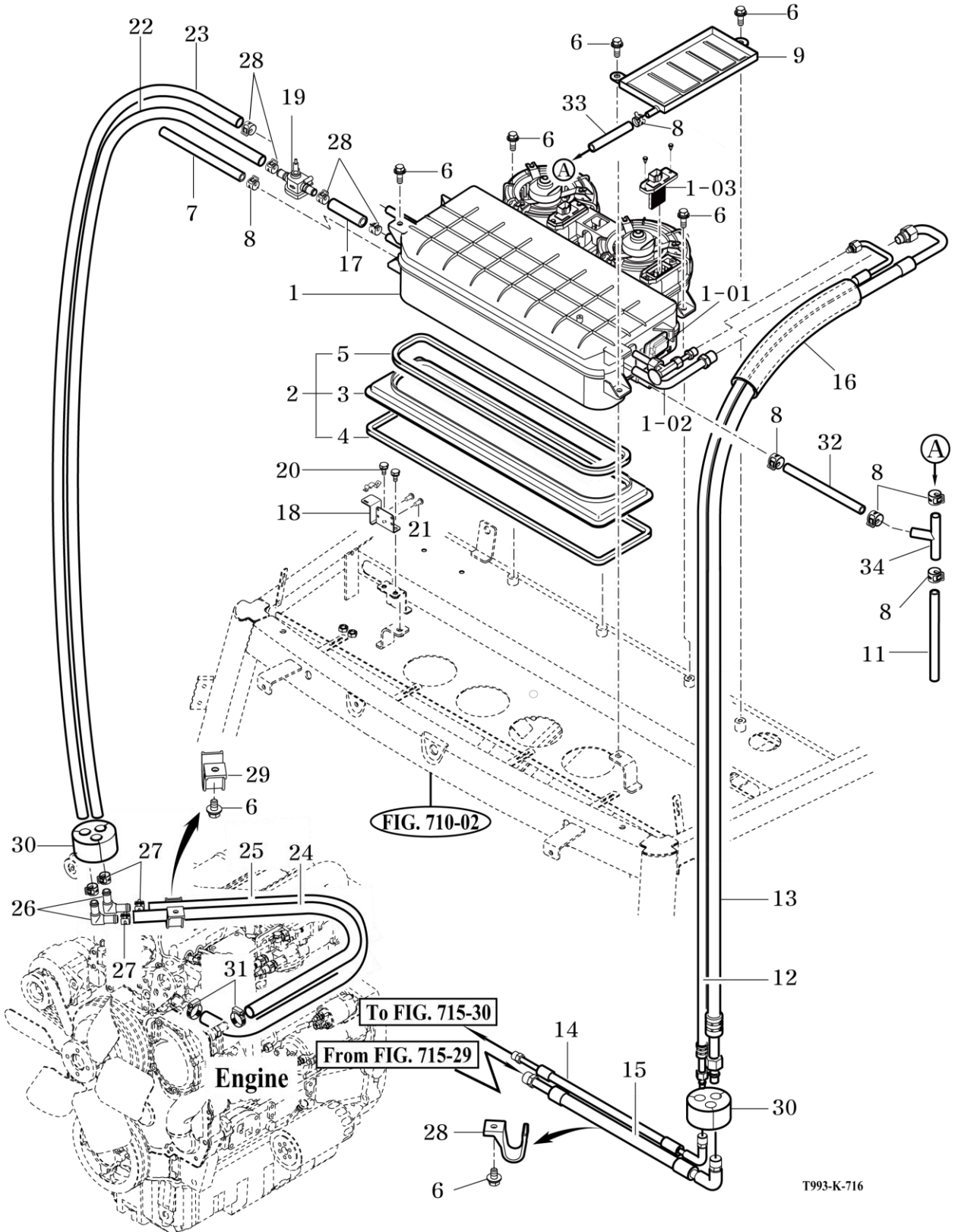


T993-K-715

NOTE



T1003/T903/T803



NOTE

FIG 717

ROOF

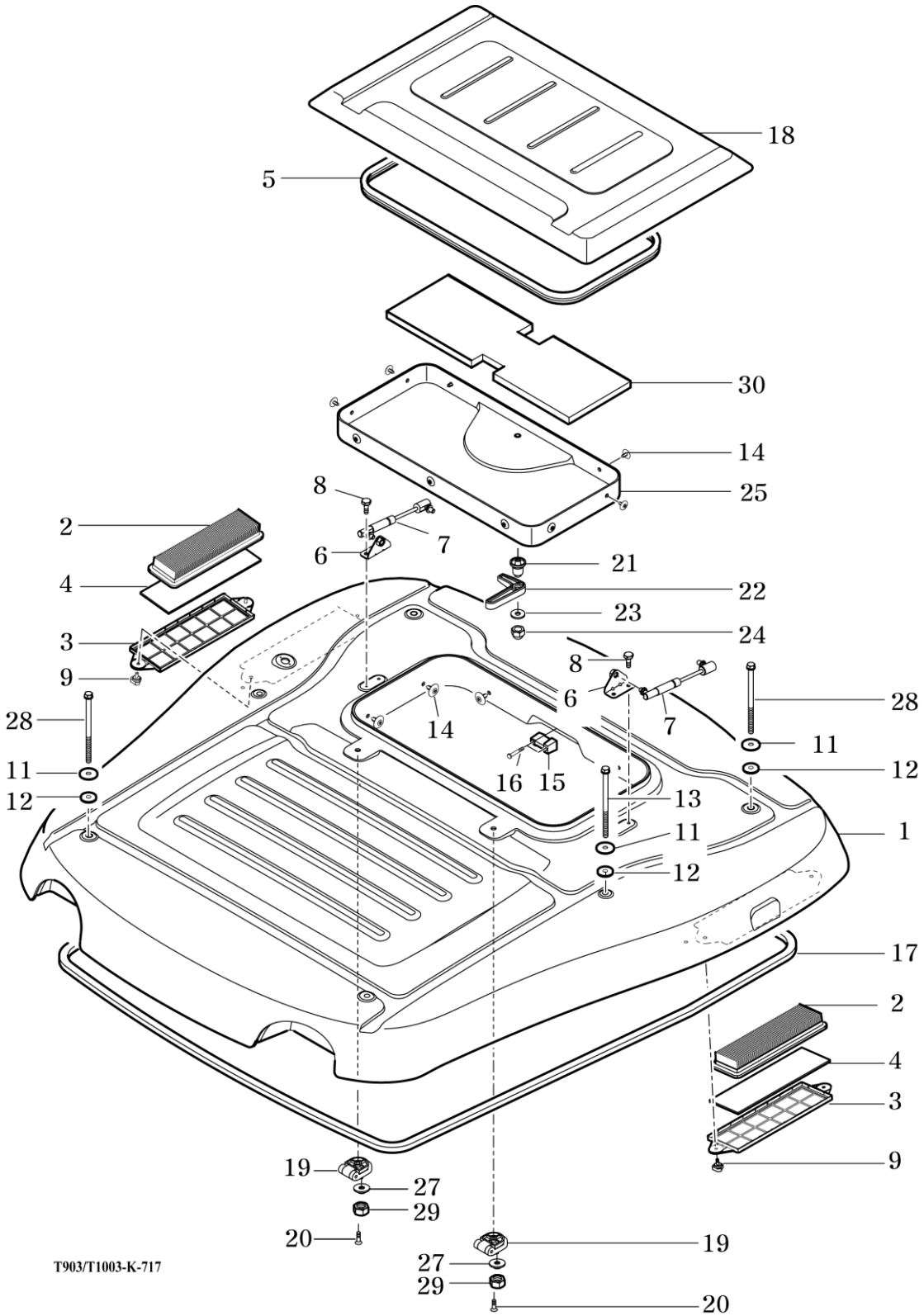
P1

Year / Month

2010 / 12



T1003/T903/T803

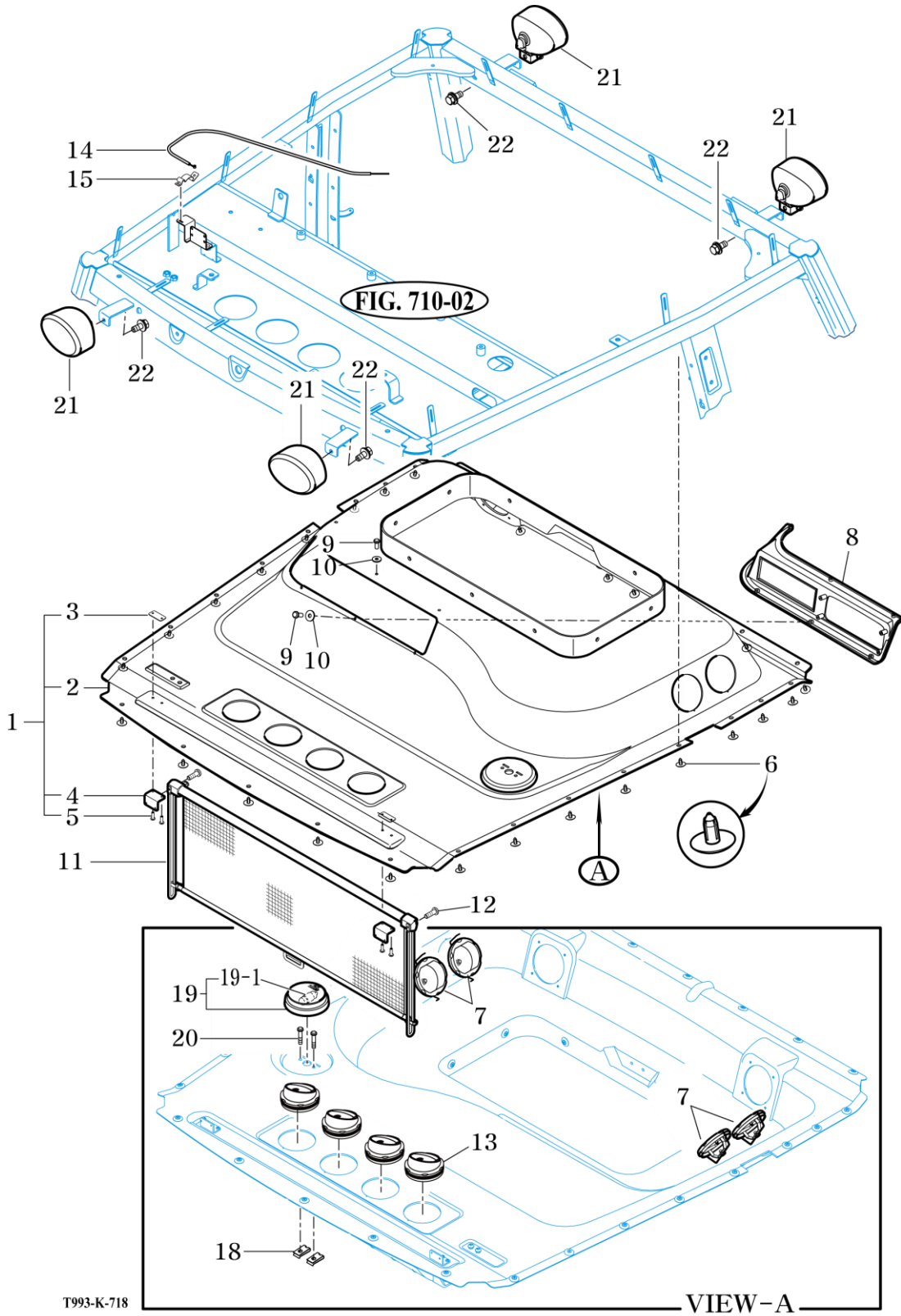


T903/T1003-K-717

NOTE



T1003/T903/T803



T993-K-718

VIEW-A

NOTE

FIG 719

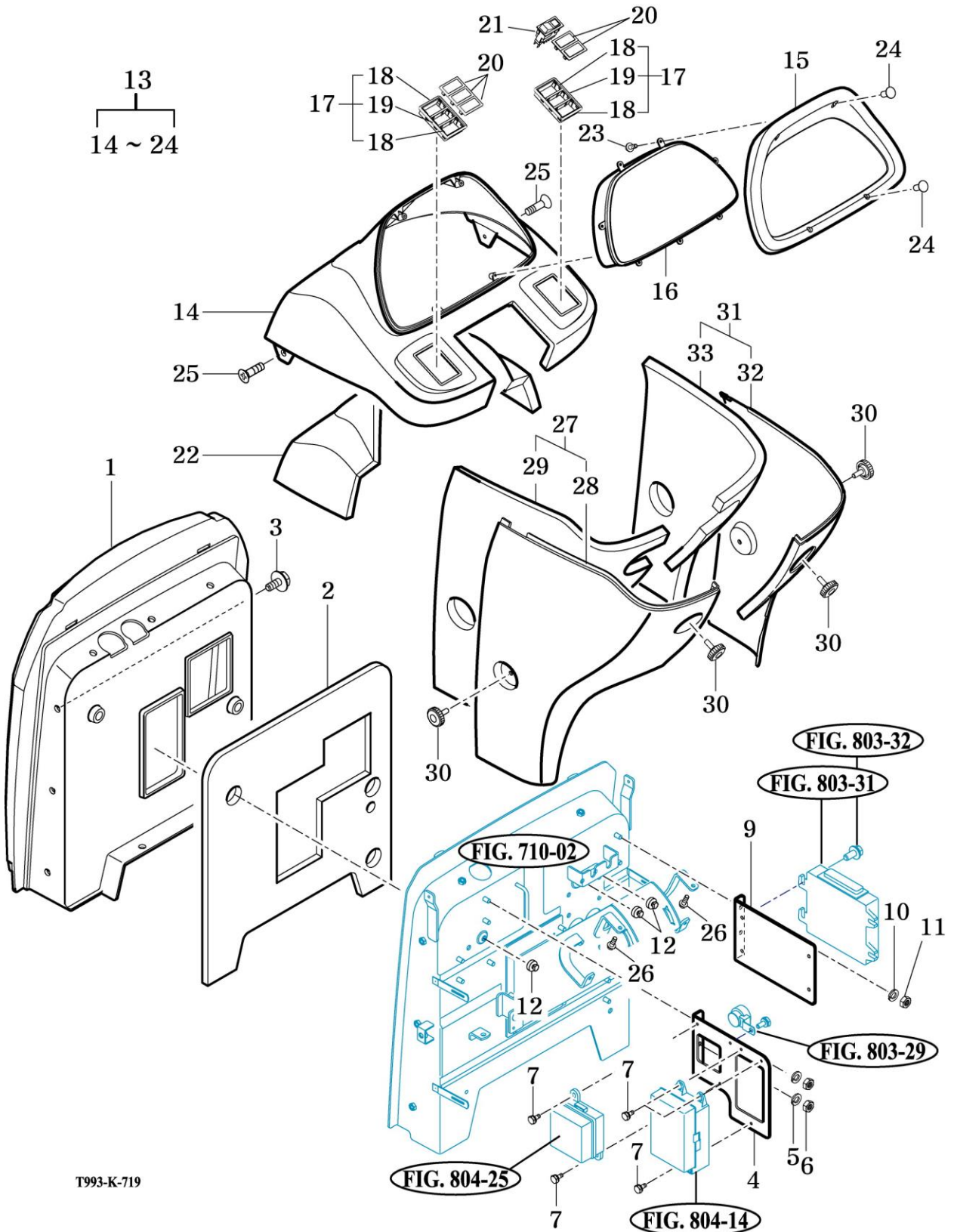
DASHCOVER

T1003/T903/T803

P1

Year / Month

2010 / 12



T993-K-719

NOTE

FIG 720

TANK ASSY , WASH

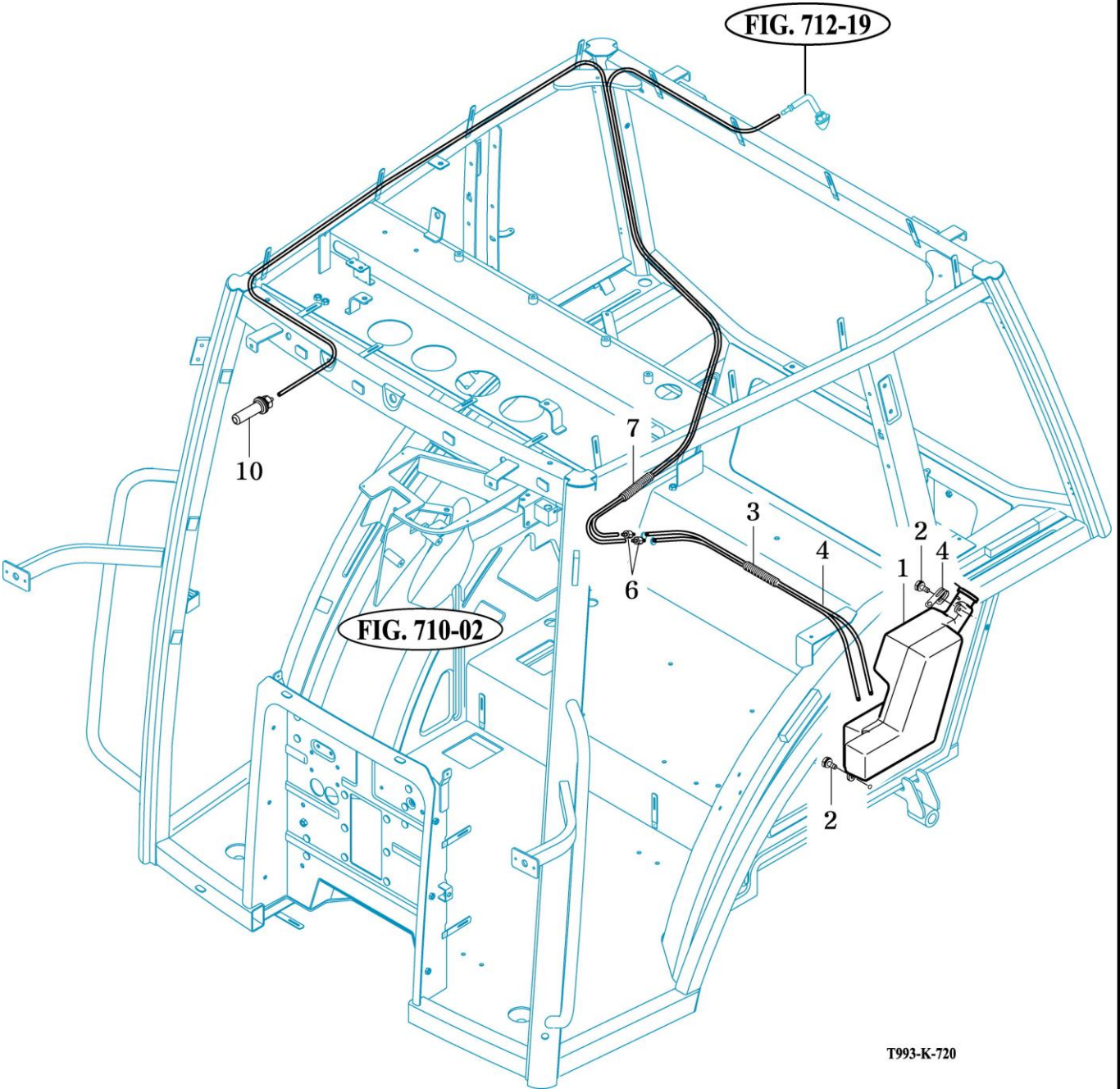
P1

Year / Month

2010 / 12



T1003/T903/T803



T993-K-720

NOTE

FIG 721

ROOM MIRROR ASSY

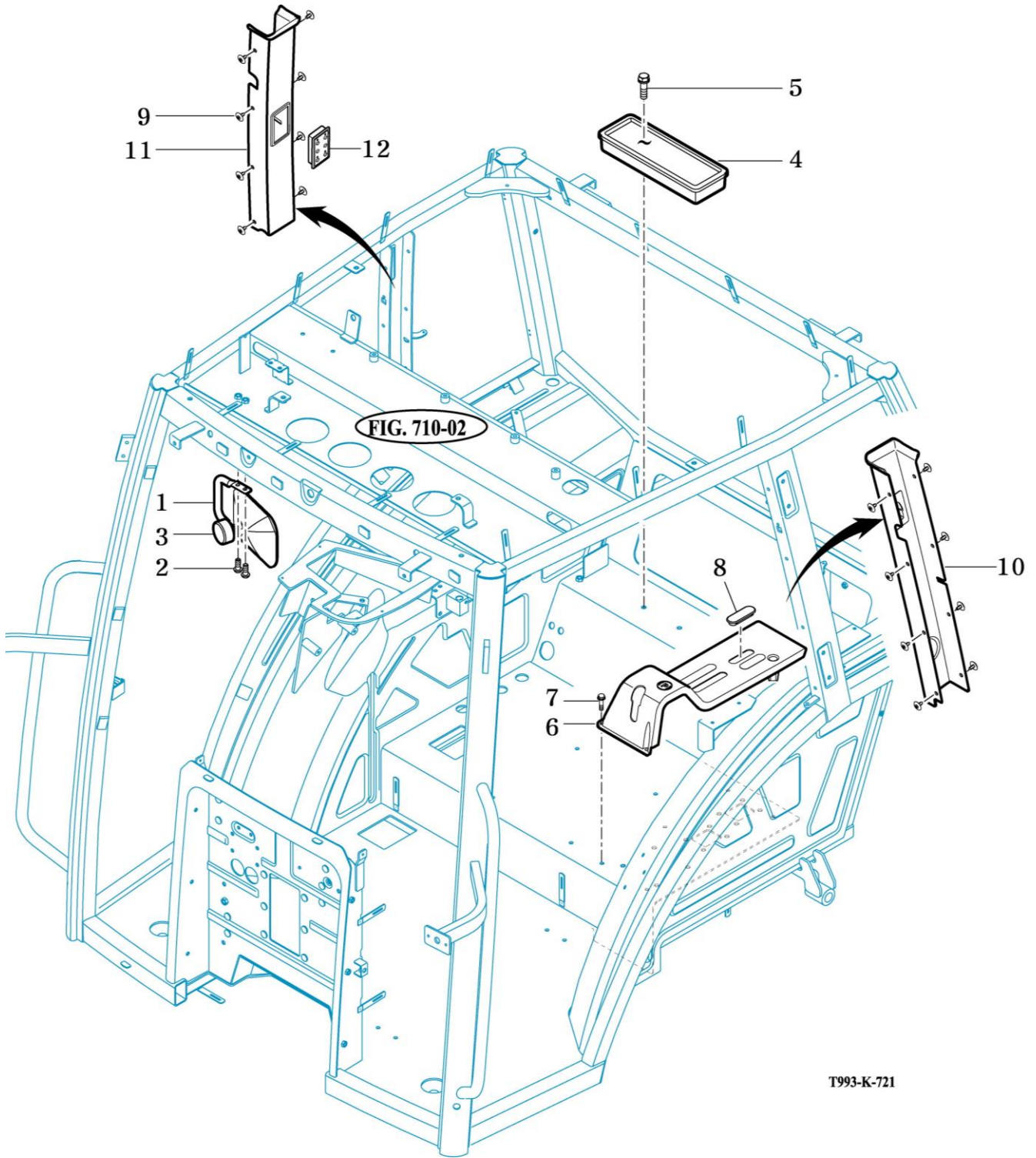
P1

Year / Month

2010 / 12



T1003/T903/T803



T993-K-721

NOTE

FIG 722

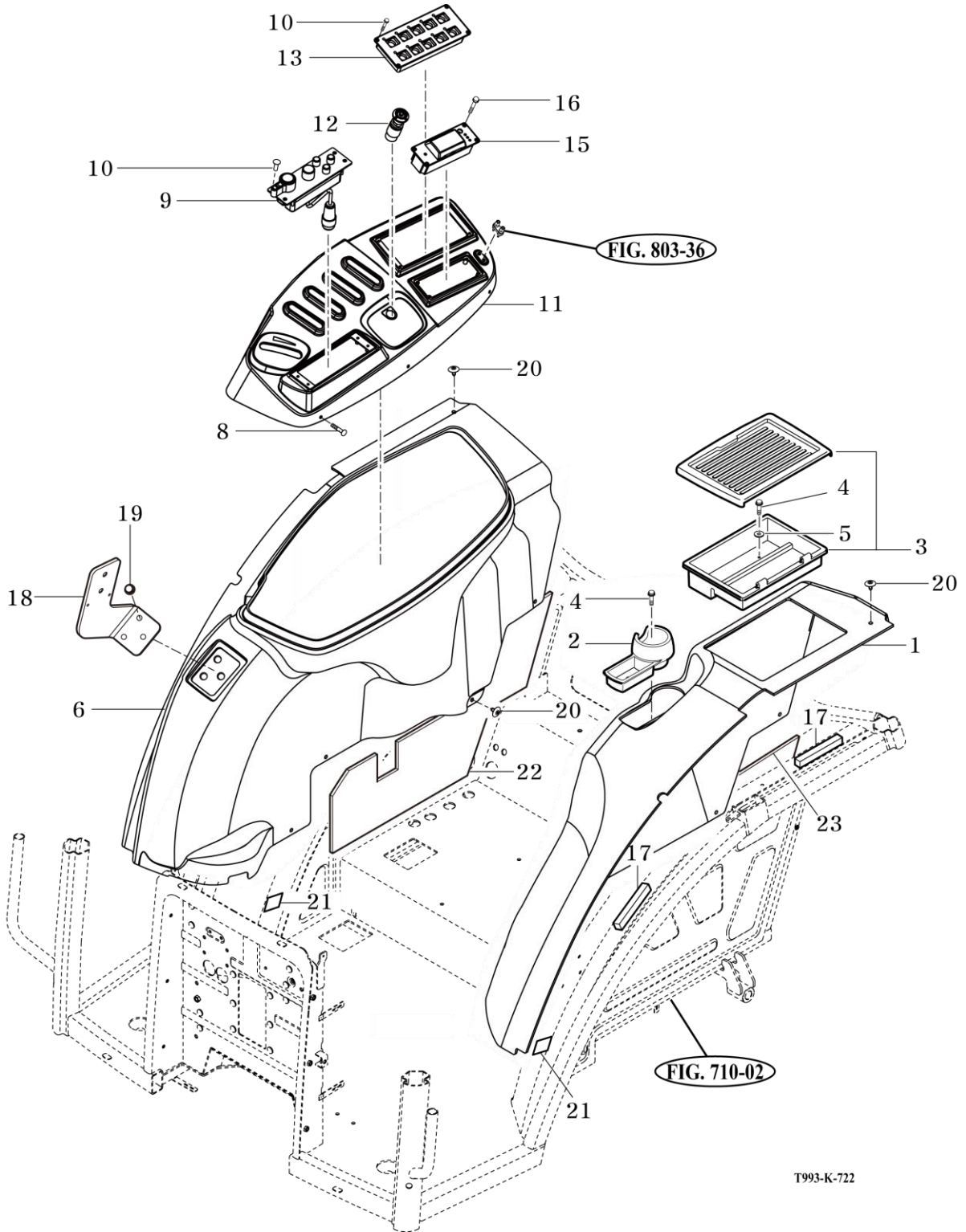
COVER-FENDER
& JOYSTICK LEVER

T1003/T903/T803

P1

Year / Month

2010 / 12



T993-K-722

NOTE