

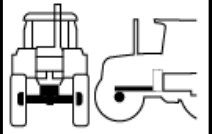
FIG 501

FRONT AXLE SUPPORTER

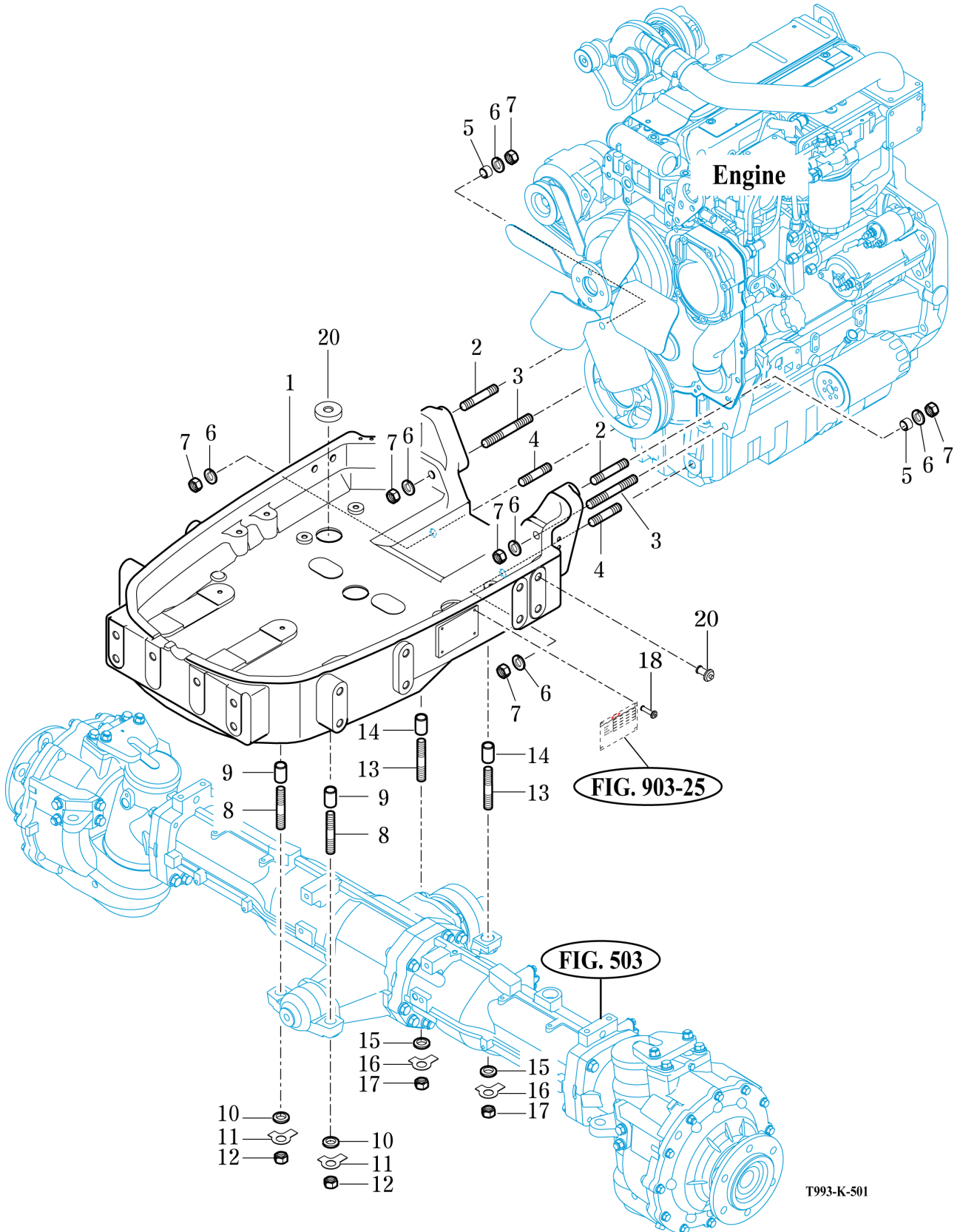
P1

Year / Month

2010/ 12



T1003/T903/T803



T993-K-501

NOTE

FIG 502

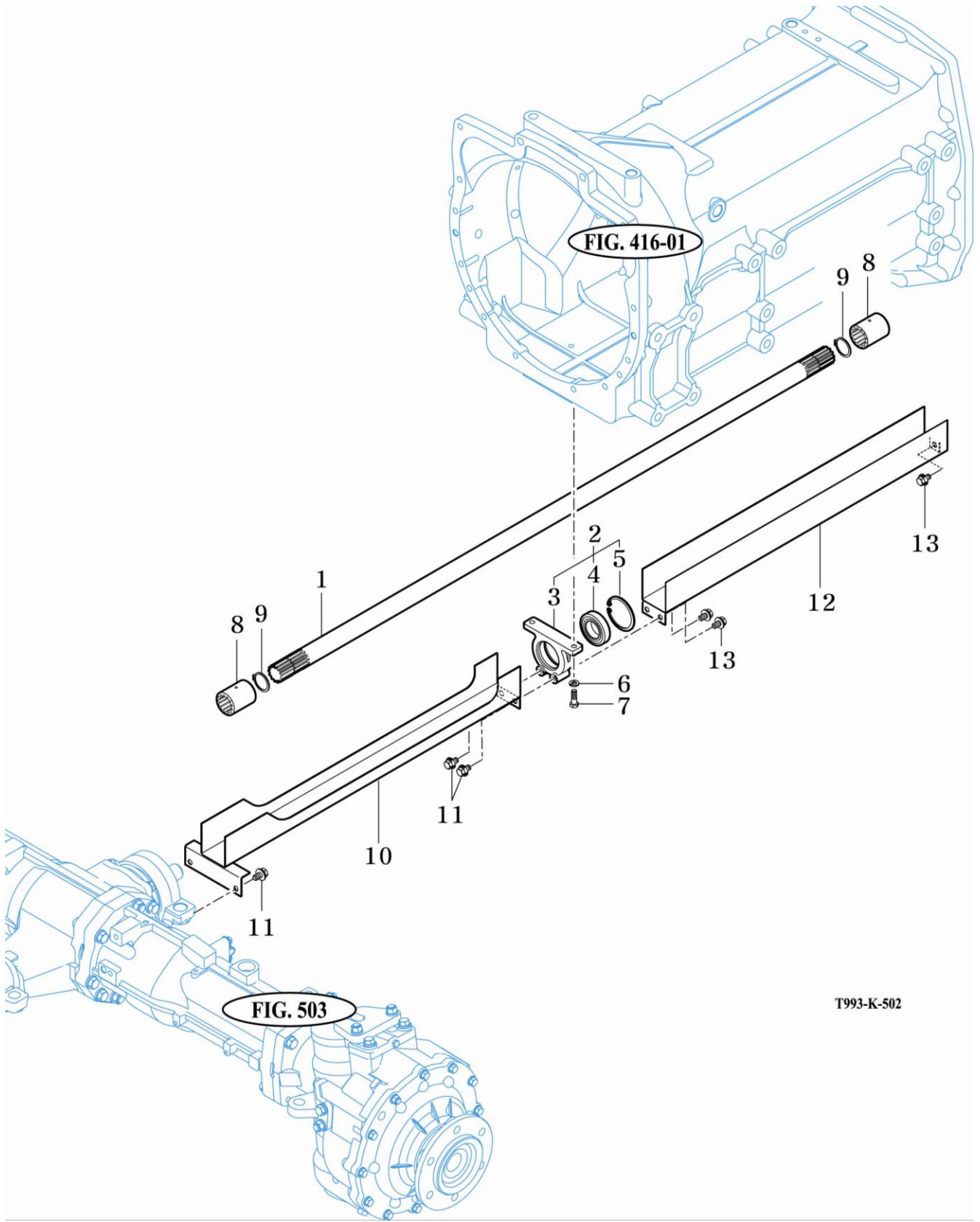
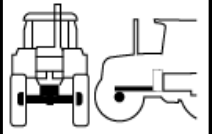
FRONT DRIVE SHAFT

T1003/T903/T803

P1

Year / Month

2010/ 12



T993-K-502

NOTE



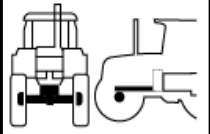
FIG 504

FRONT DIFFERENTIAL GEARS

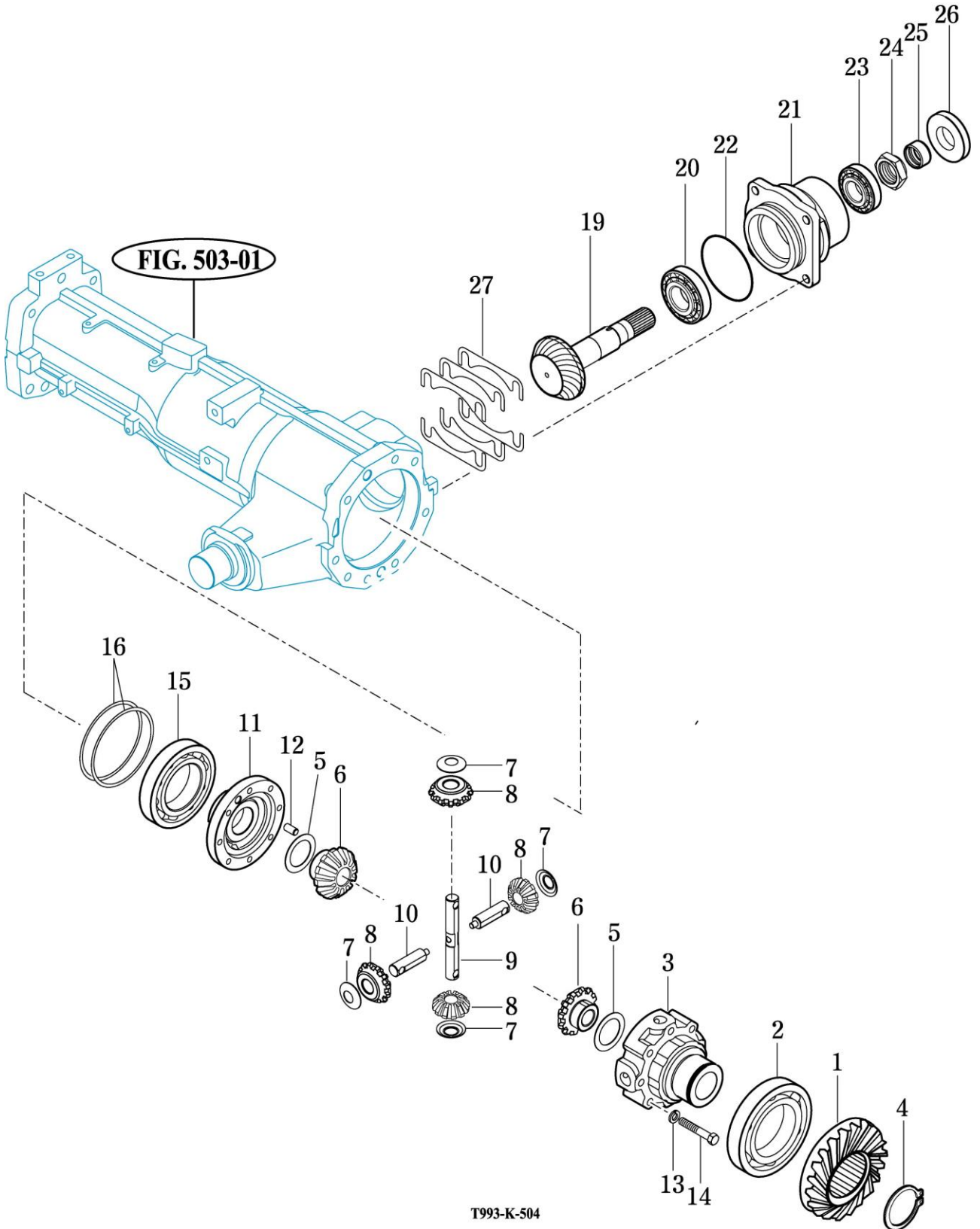
P1

Year / Month

2010 / 12



T1003/T903/T803



T993-K-504

NOTE



FIG 505

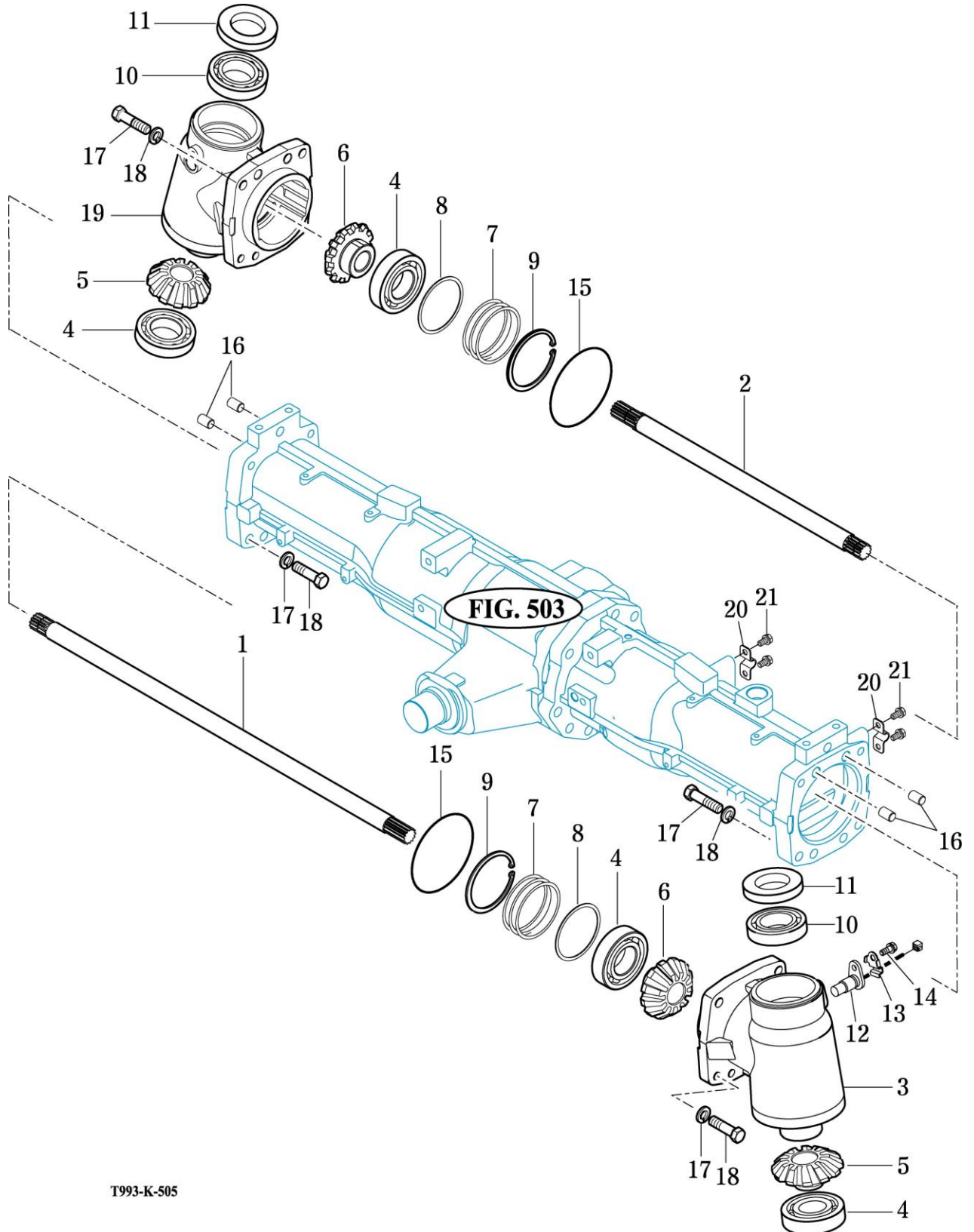
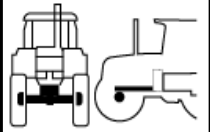
FRONT GEAR CASE (1)

T1003/T903/T803

P1

Year / Month

2010/ 12



T993-K-505

NOTE

FIG 506

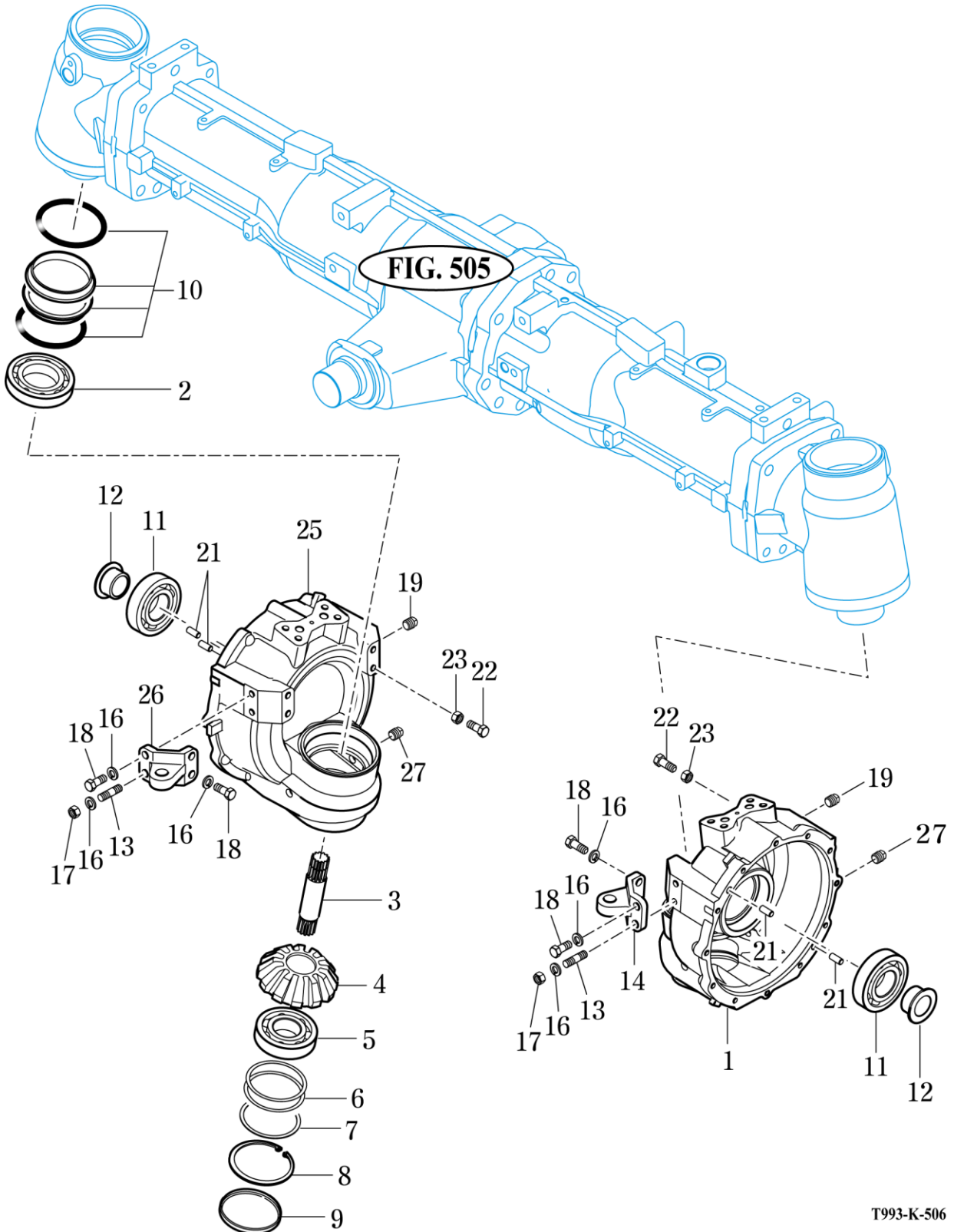
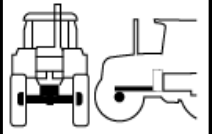
FRONT GEAR CASE (2)

T1003/T903/T803

P1

Year / Month

2010/ 12



T993-K-506

NOTE

FIG 507

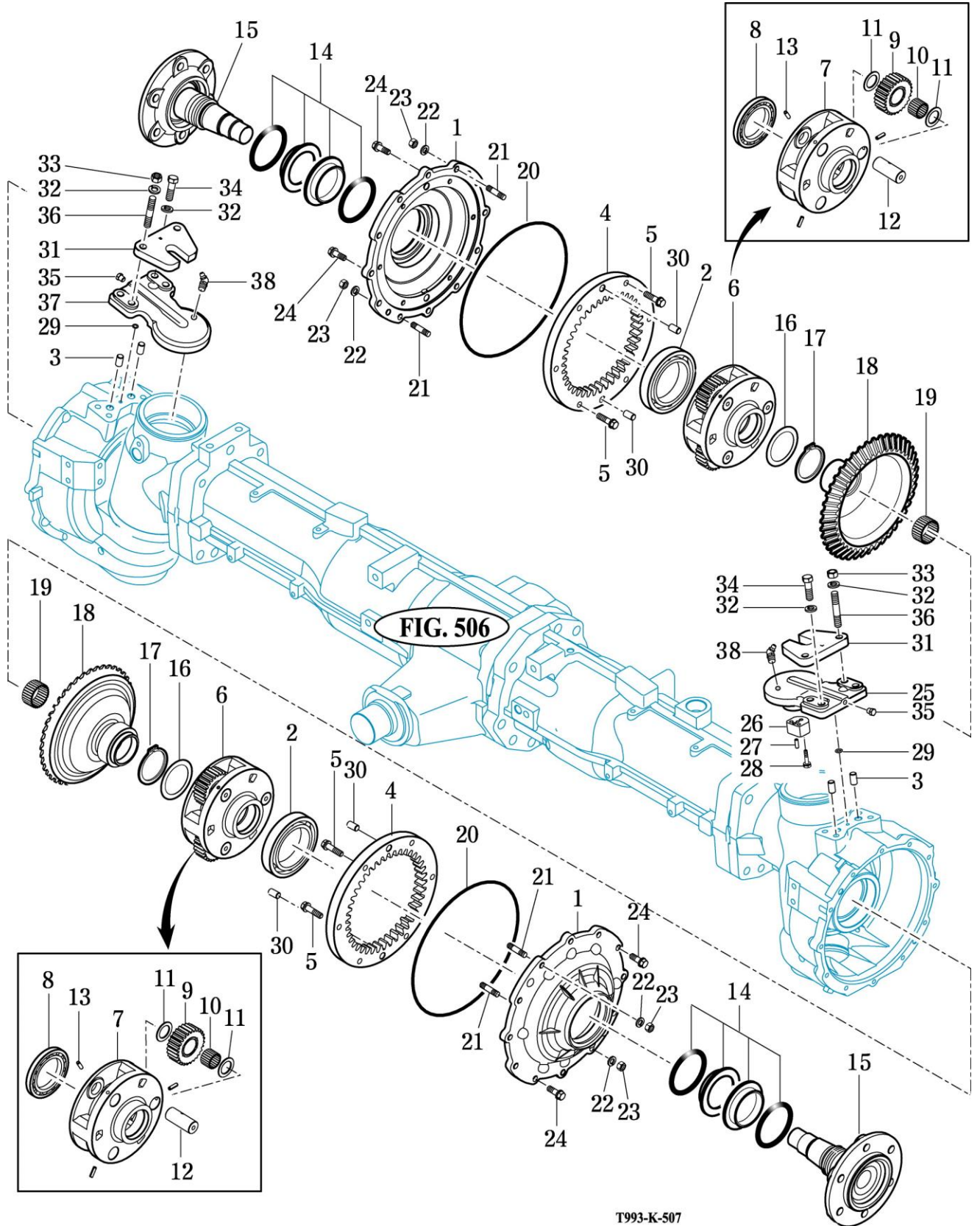
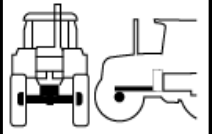
FRONT GEAR CASE (3)

T1003/T903/T803

P1

Year / Month

2010/12



T993-K-507

NOTE



FIG 508

MUD GUARD ASSY

T1003/T903/T803

P1

Year / Month

2010/ 12

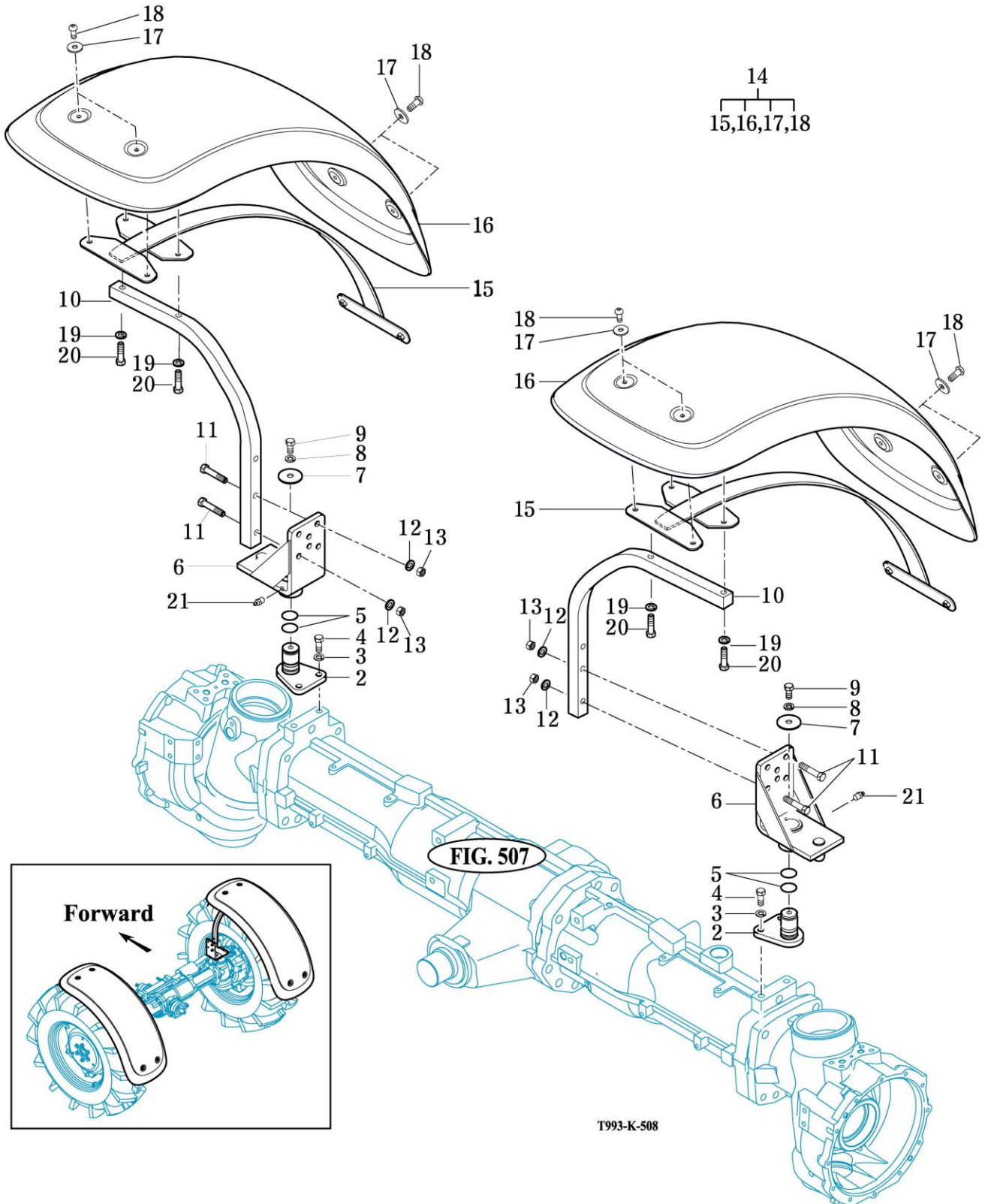
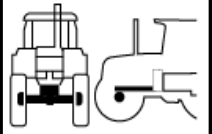


FIG. 507

T993-K-508

NOTE