

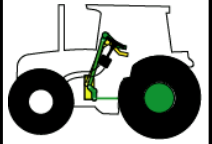
FIG 301

DAMPER FLANGE ASSY

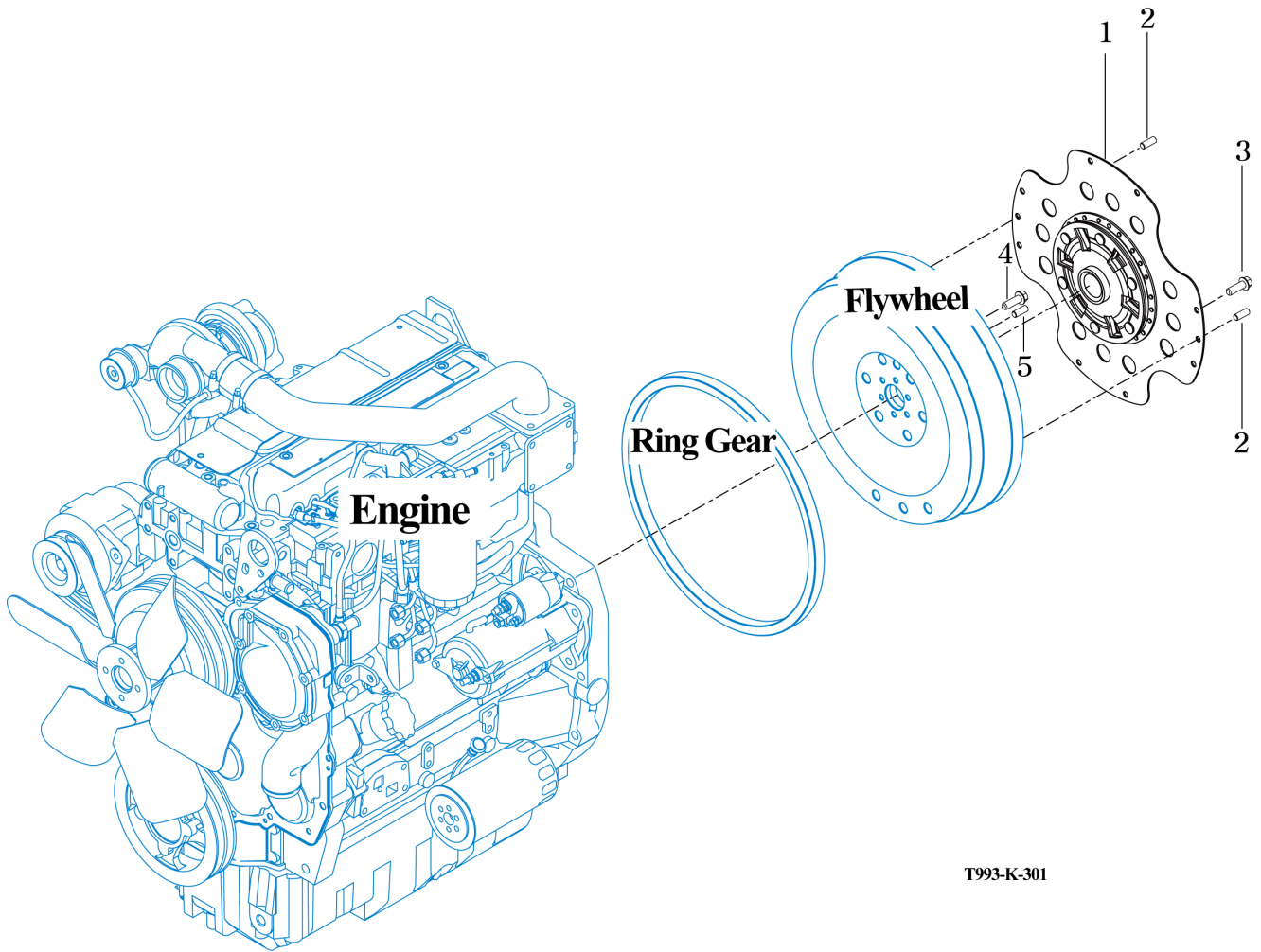
P1

Year / Month

2010 / 12



T1003/T903/T803



T993-K-301

NOTE

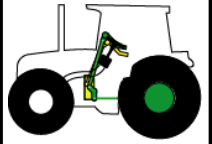
FIG 302

CASE SUB ASSY, BRAKE

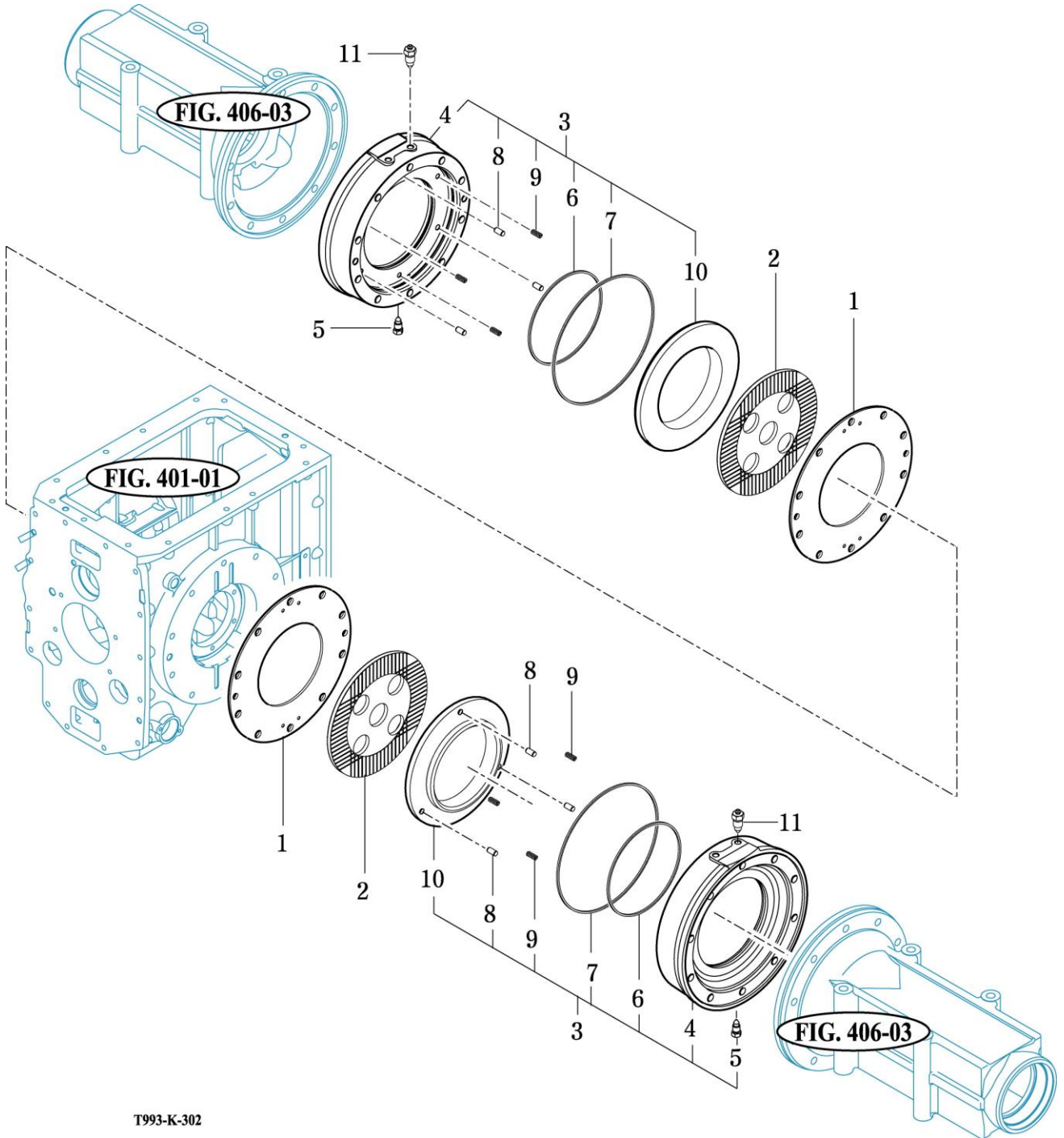
P1

Year / Month

2010 / 12

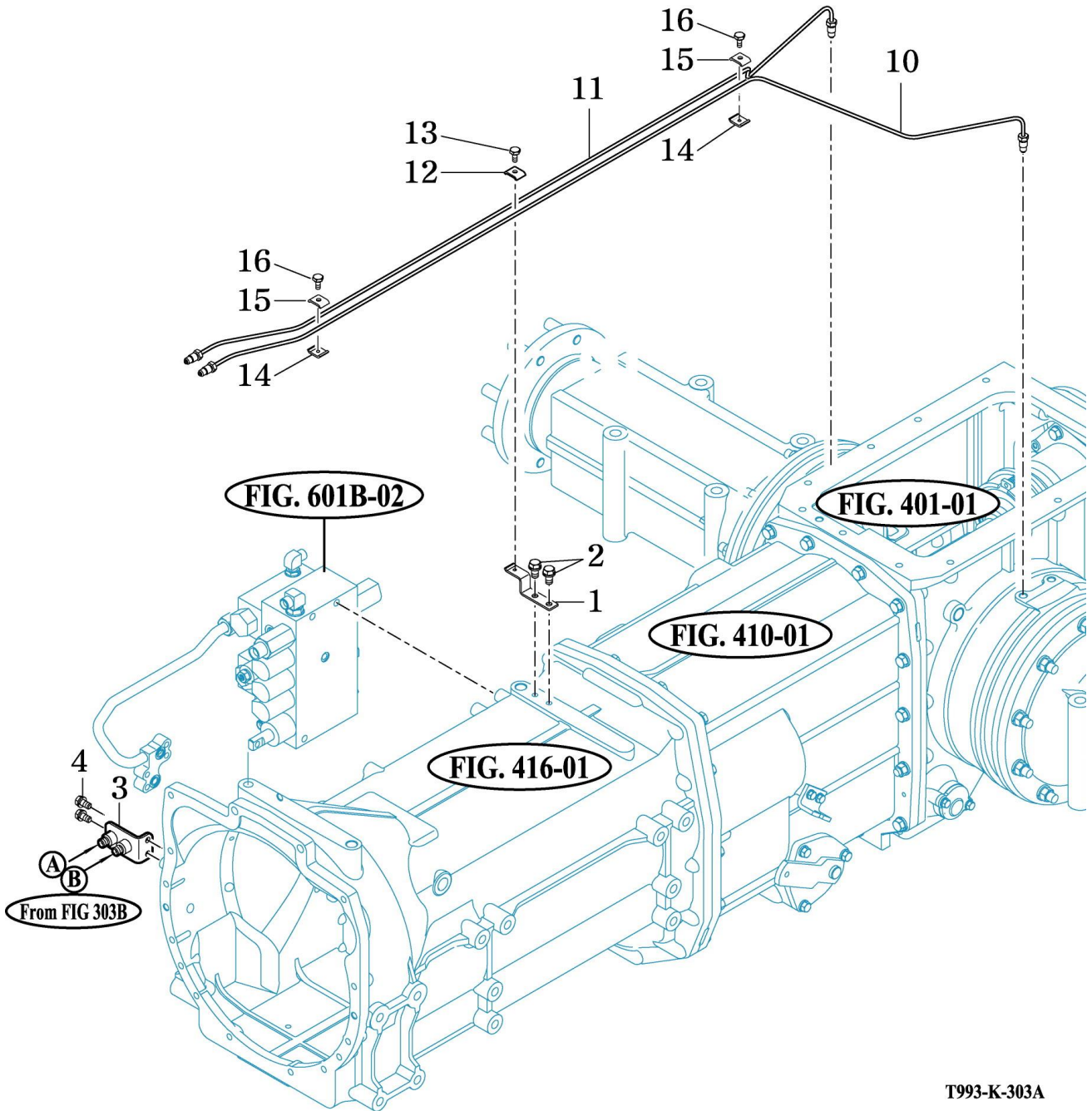
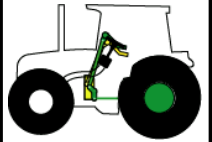


T1003/T903/T803

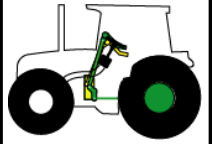


T993-K-302

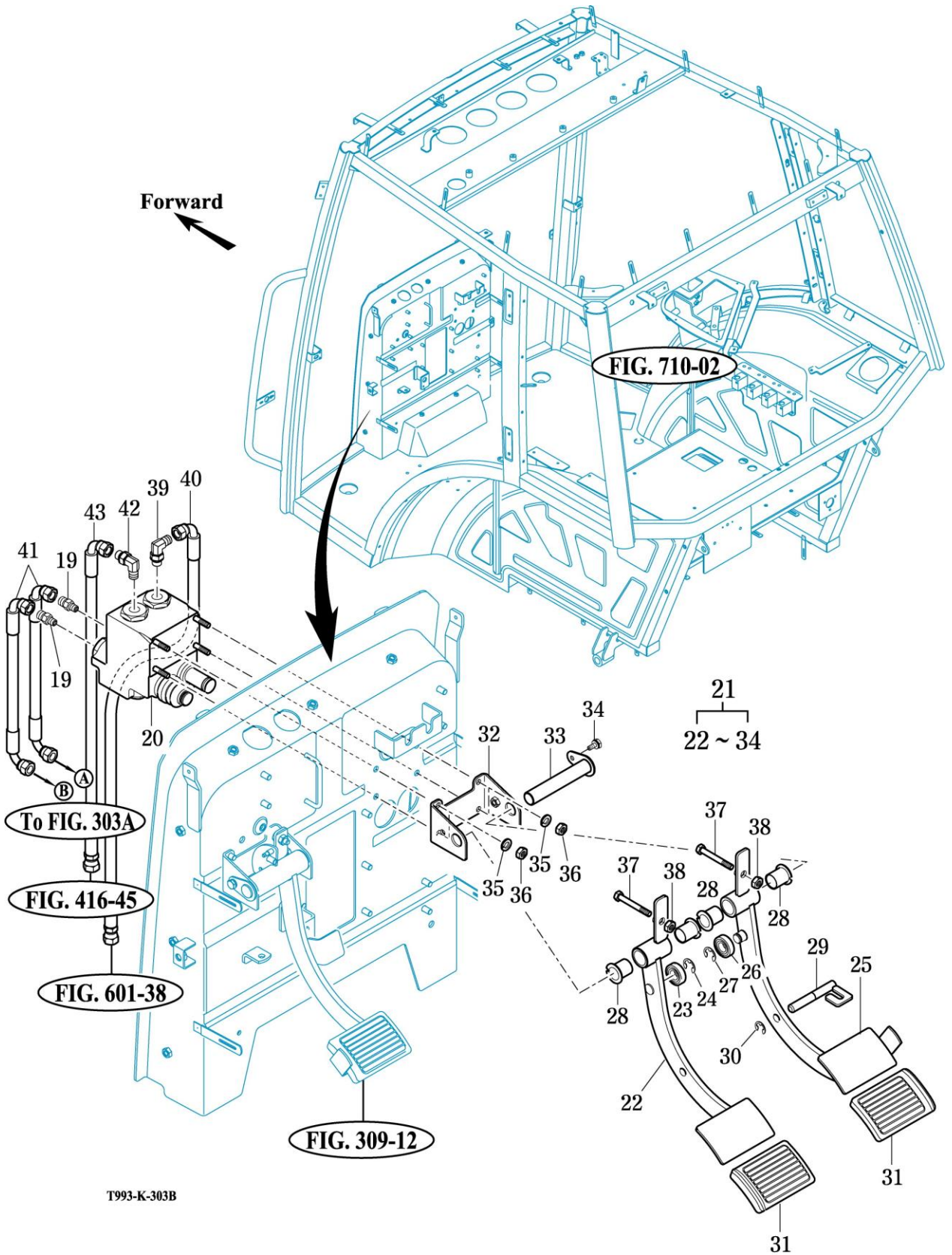
NOTE



T993-K-303A



Forward



T993-K-303B

NOTE

FIG 304

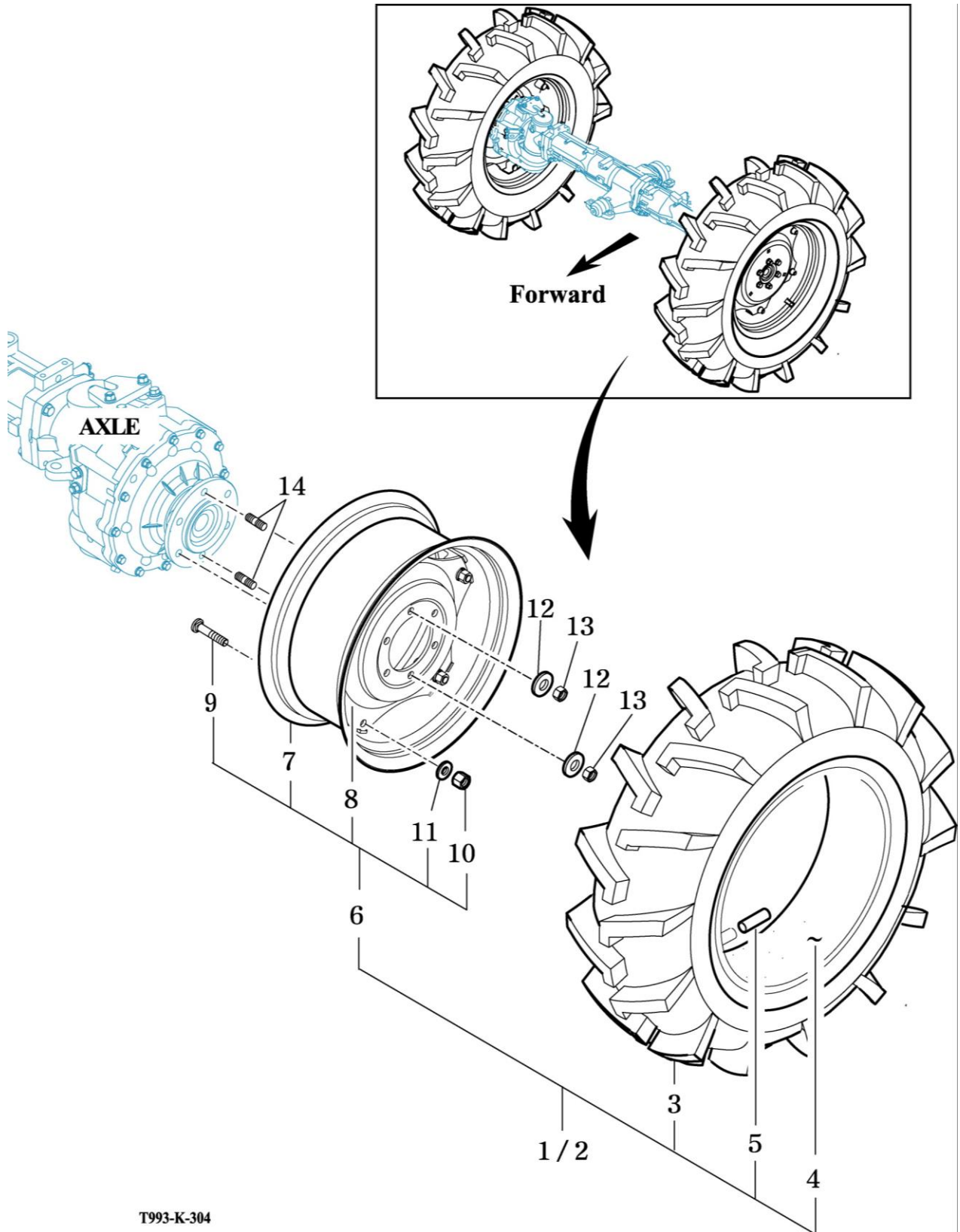
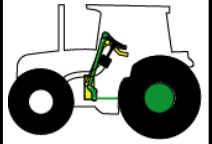
FRONT WHEEL

T1003/T903/T803

P1

Year / Month

2010 / 12



T993-K-304

NOTE

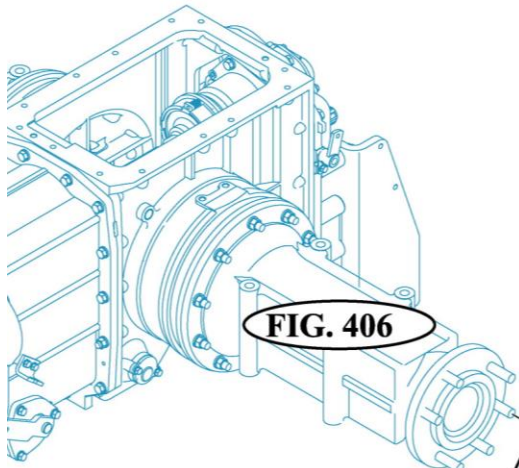
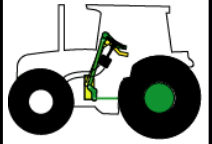
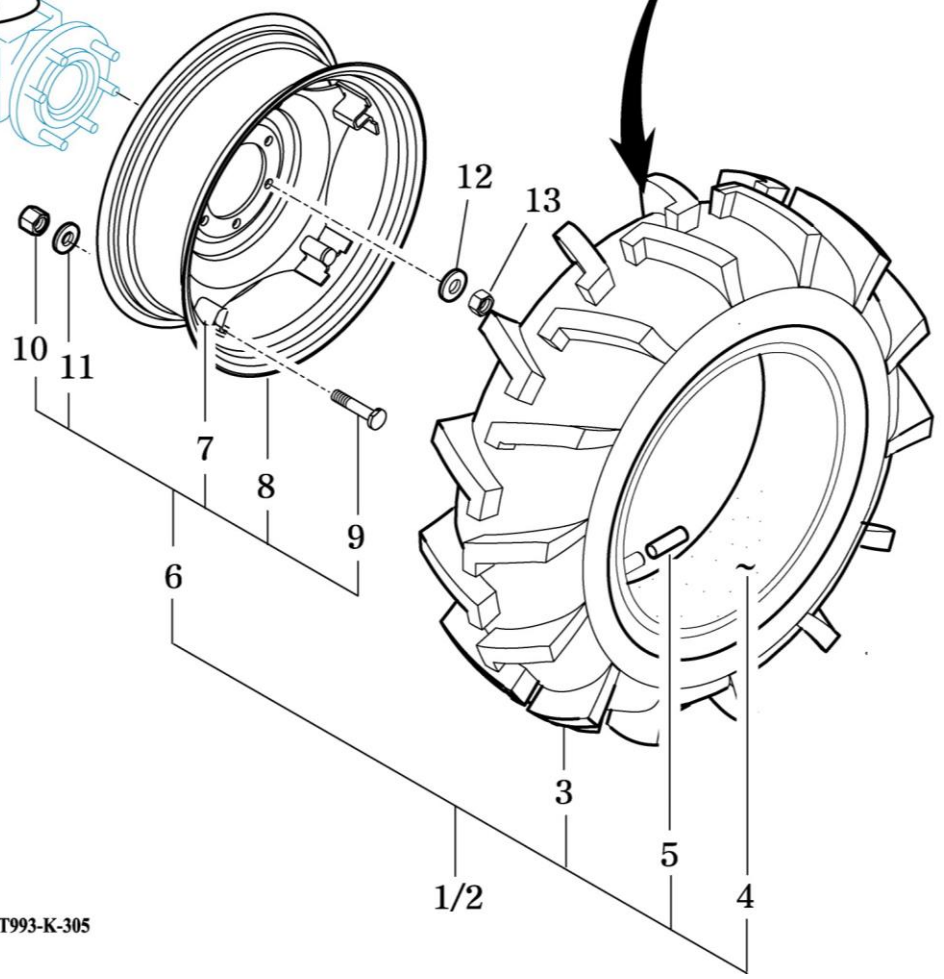
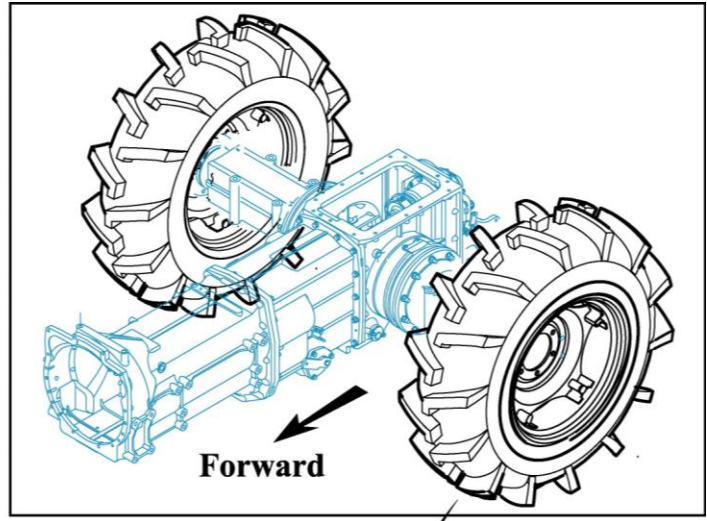


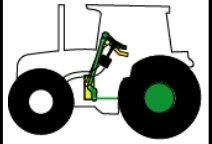
FIG. 406



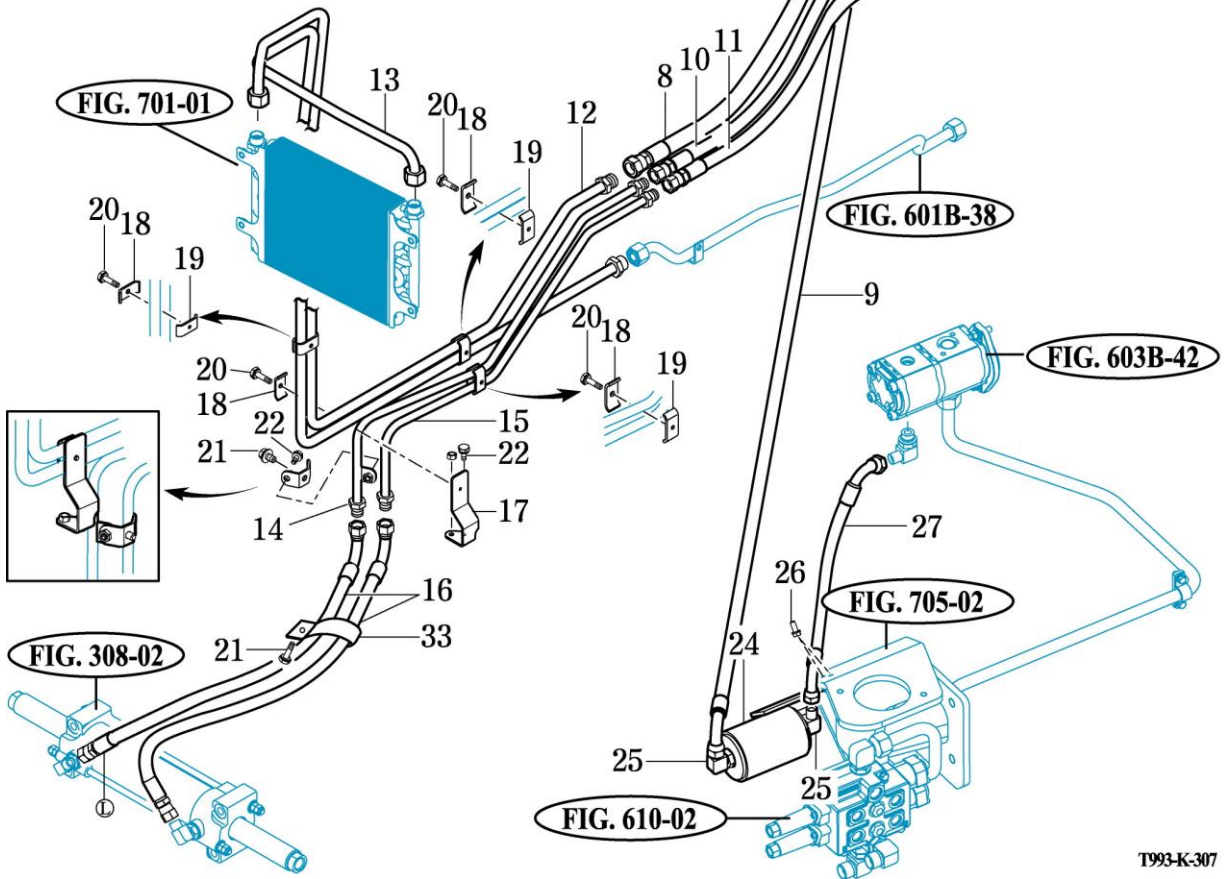
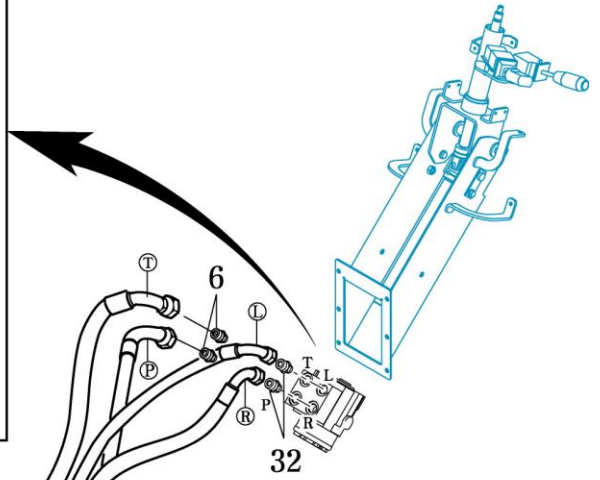
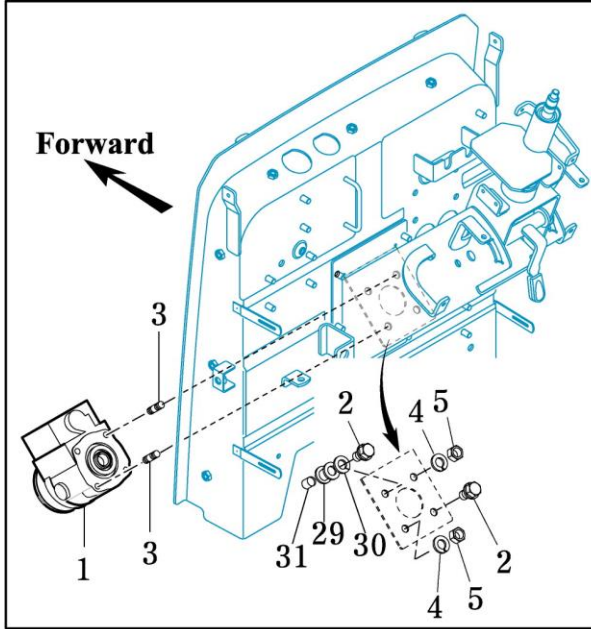
T993-K-305

NOTE





T1003/T903/T803



T993-K-307

NOTE



FIG 308

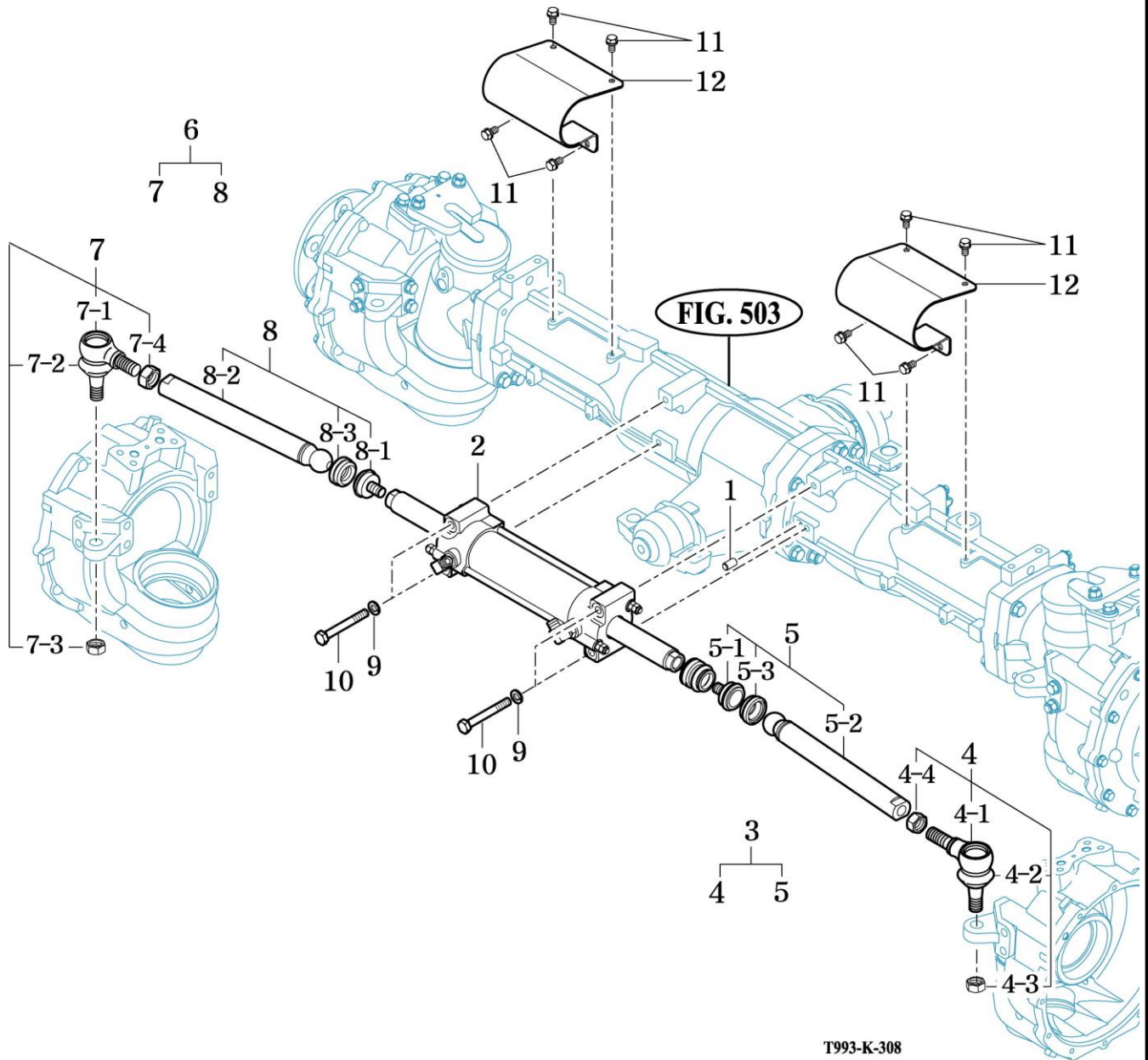
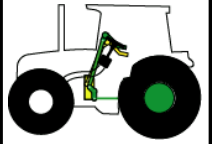
POWER STEERING CYLINDER

T1003/T903/T803

P1

Year / Month

2010 / 12



T993-K-308

NOTE

FIG 309

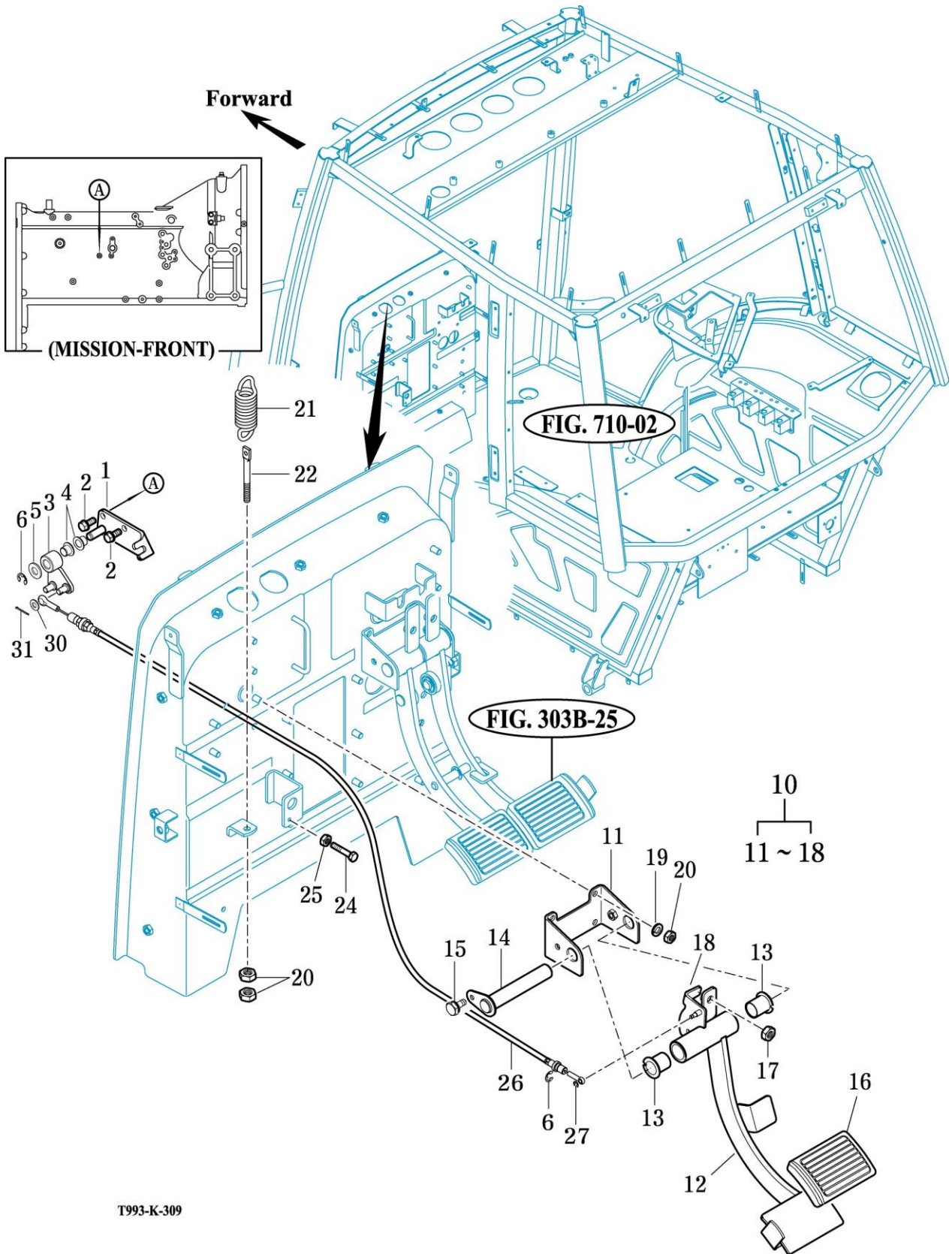
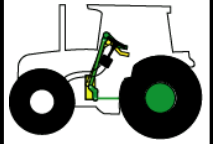
SUB CLUTCH PEDAL

T1003/T903/T803

P1

Year / Month

2010 / 12



T993-K-309

NOTE

FIG 310

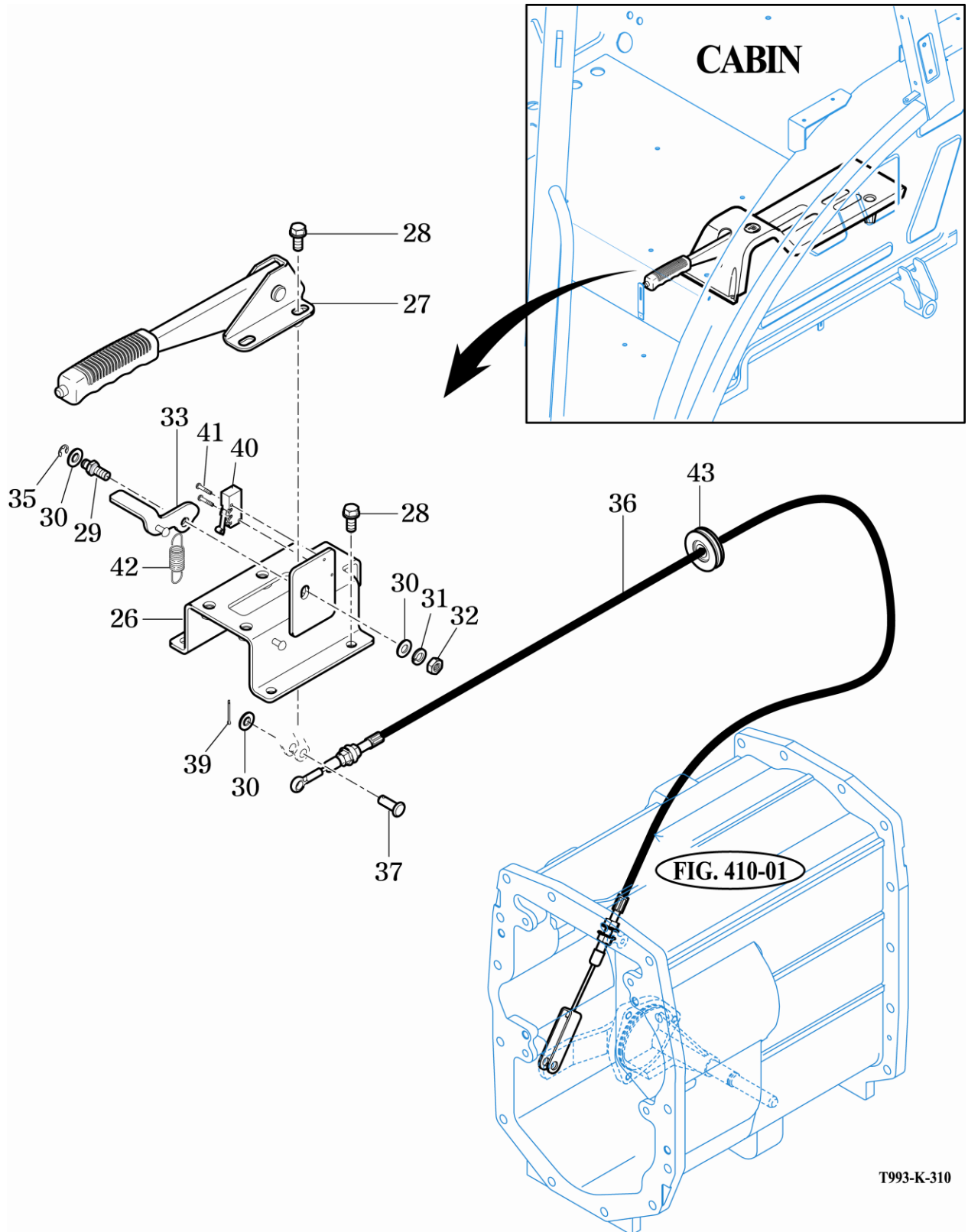
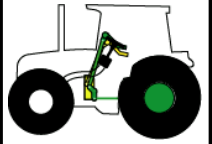
HAND BRAKE SUB

T1003/T903/T803

P1

Year / Month

2010 / 12



T993-K-310

NOTE