

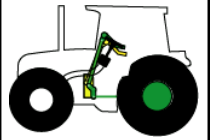
FIG 301

CLUTCH

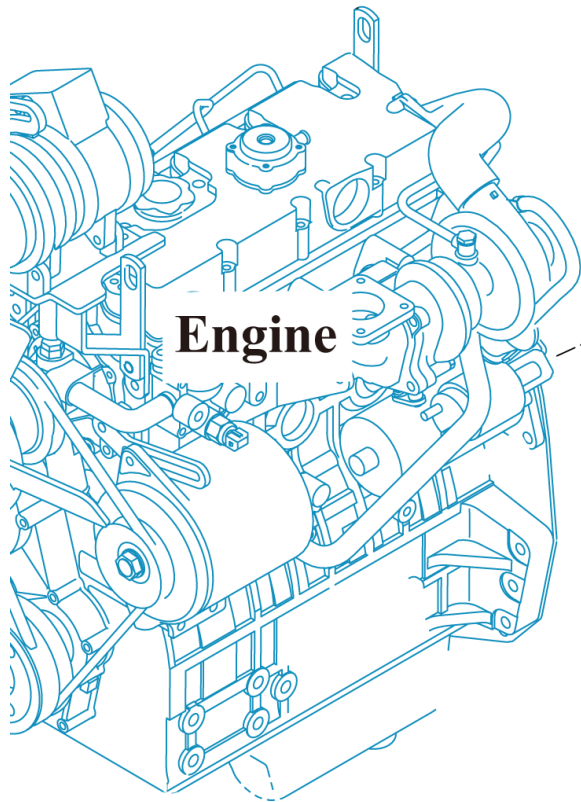
P1

Year / Month

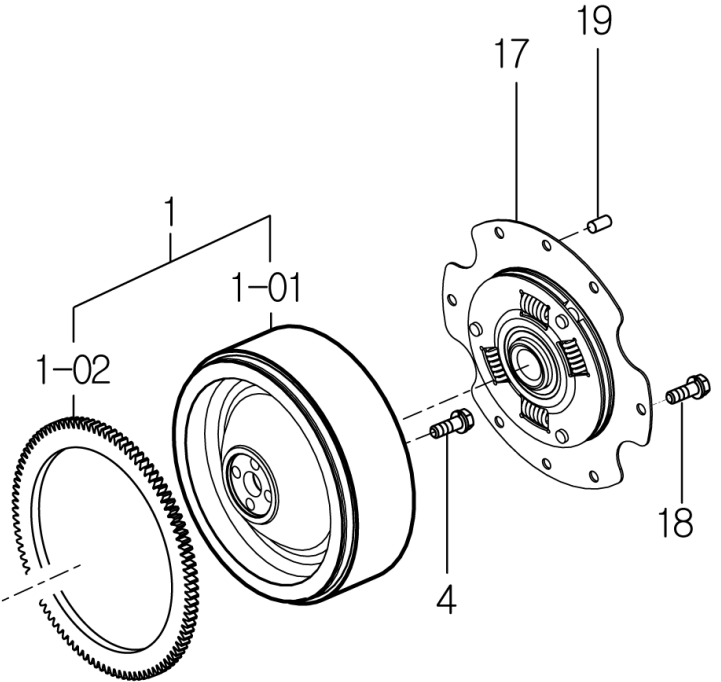
2010 / 06



T503SH / T433NH



Engine



T553HST-E-301

NOTE

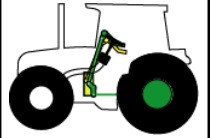
FIG 302

CLUTCH PEDAL

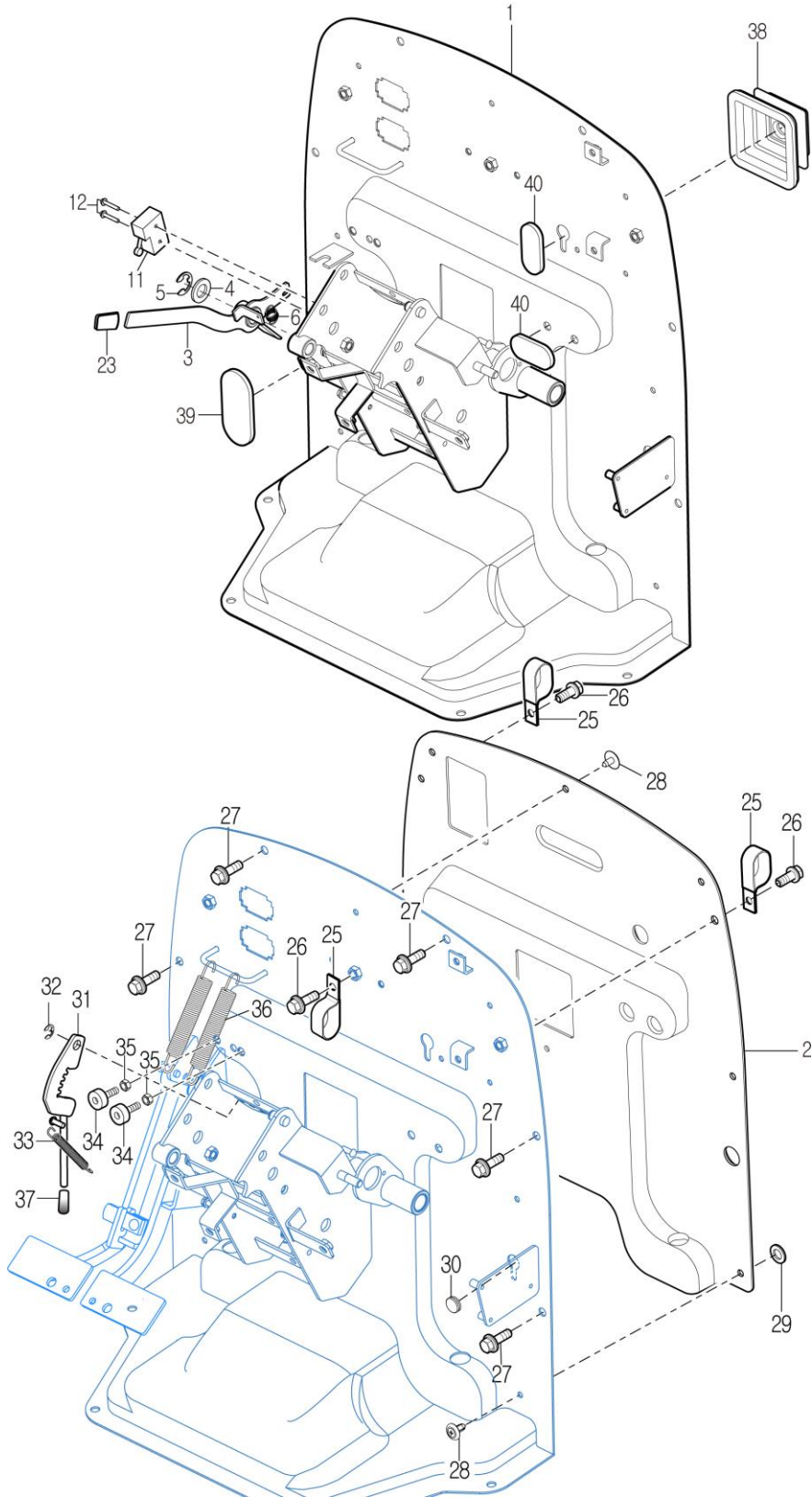
P1

Year / Month

2010 / 06



T503SH / T433NH



NOTE

FIG 303

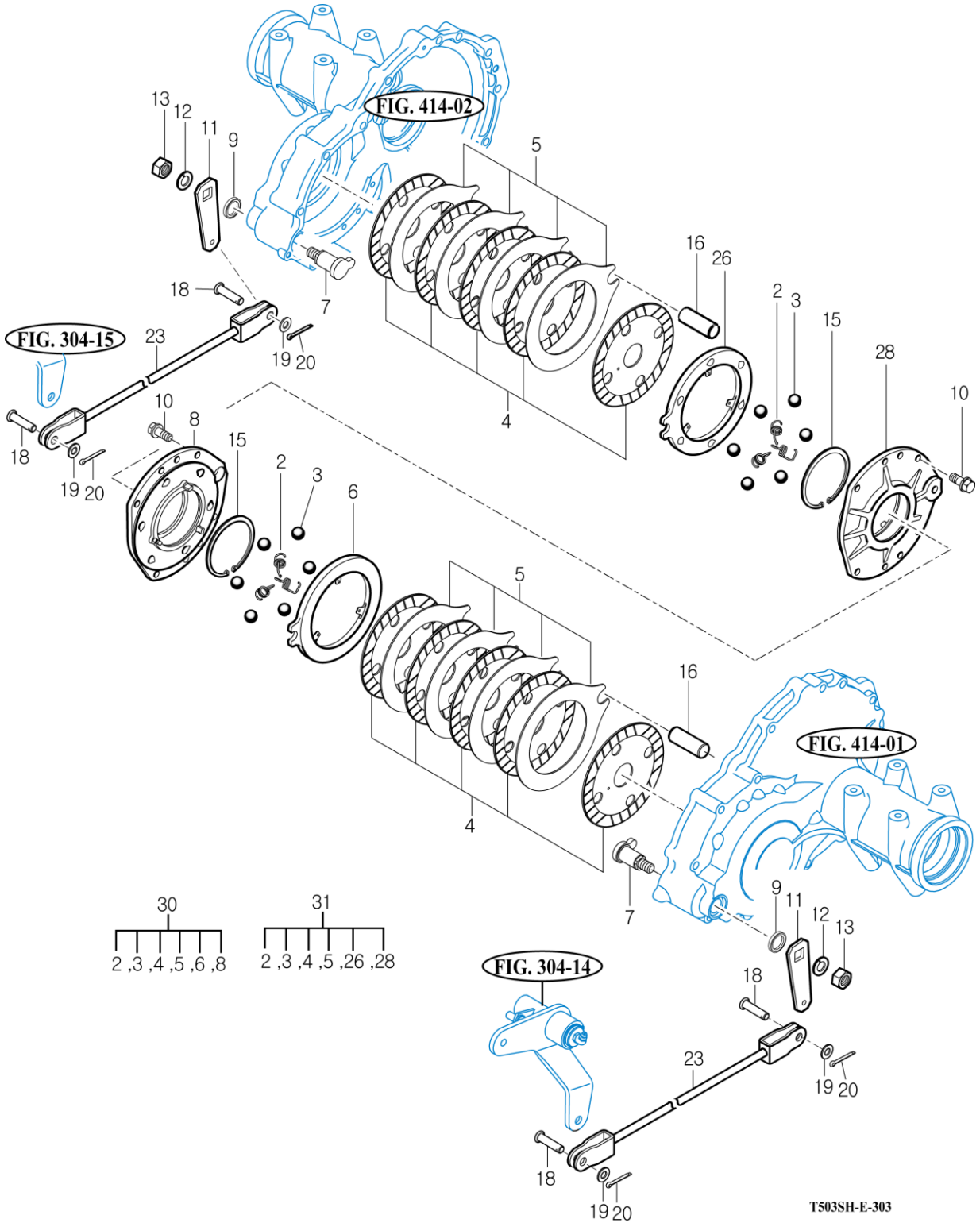
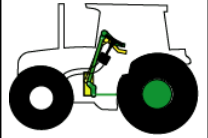
BRAKE

T503SH / T433NH

P1

Year / Month

2010 / 06



T503SH-E-303

NOTE

FIG 304

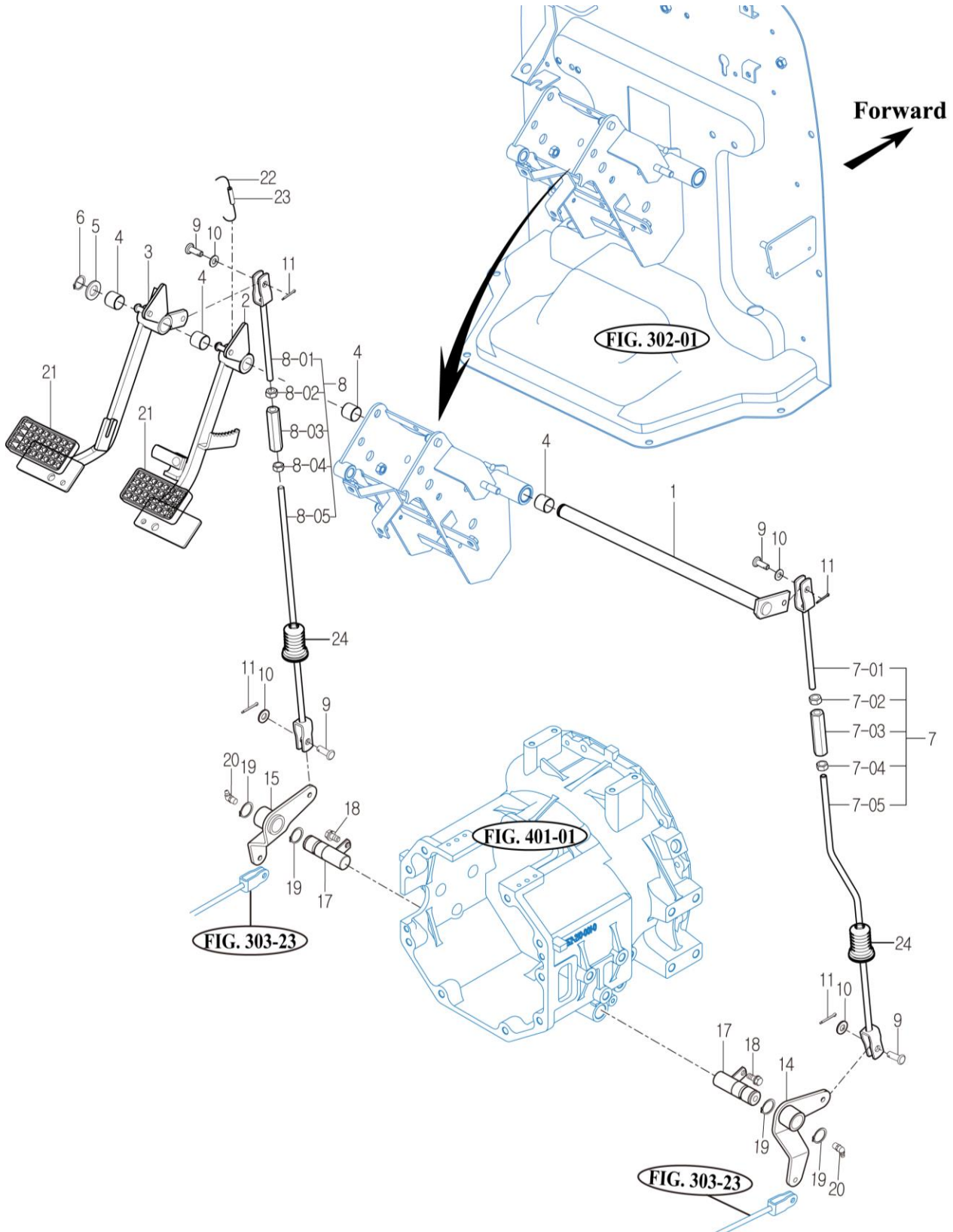
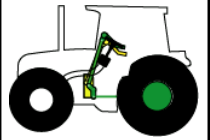
BRAKE PEDAL & LINK

T503SH / T433NH

P1

Year / Month

2010 / 06



NOTE

FIG 305A

FRONT WHEEL

T503SH / T433NH

P1

Year / Month

2010 / 06

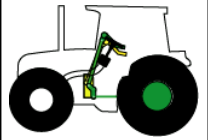
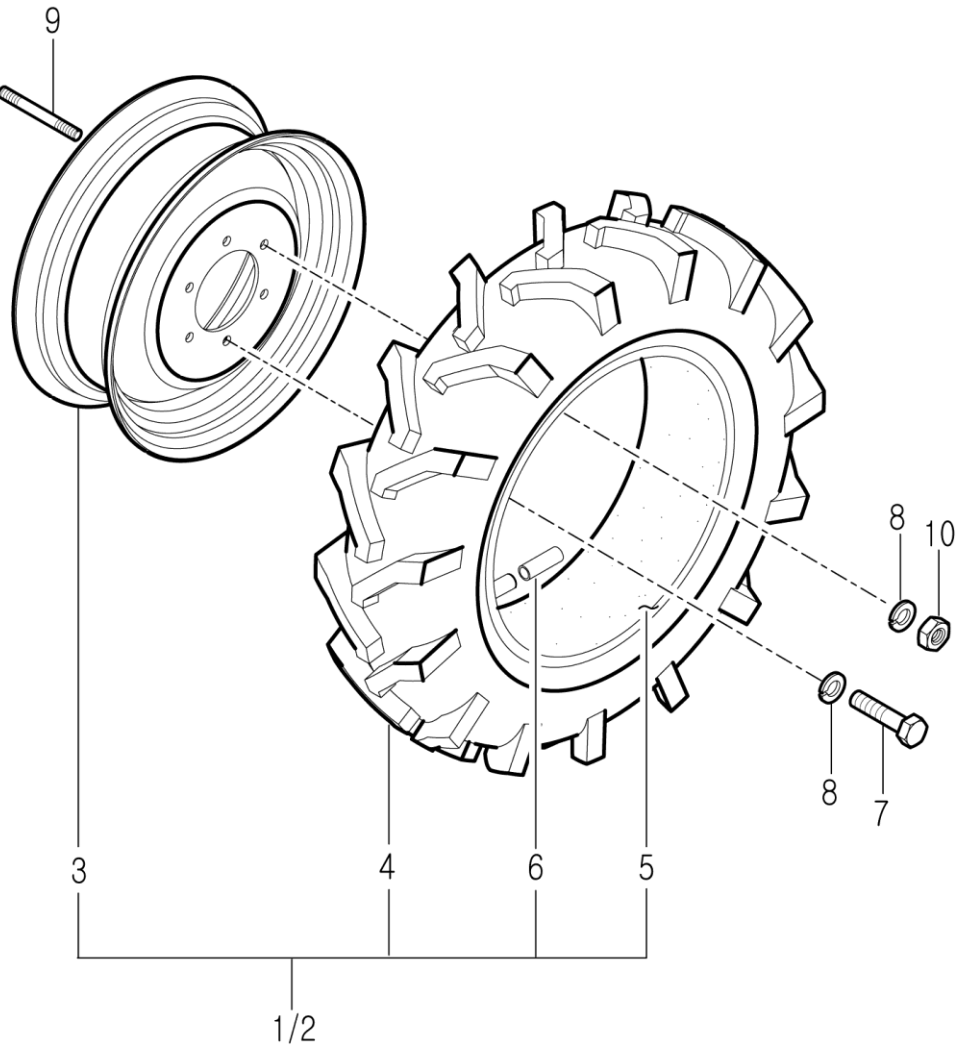


FIG. 507-034



T503HST-E-305A

NOTE

FIG 305B

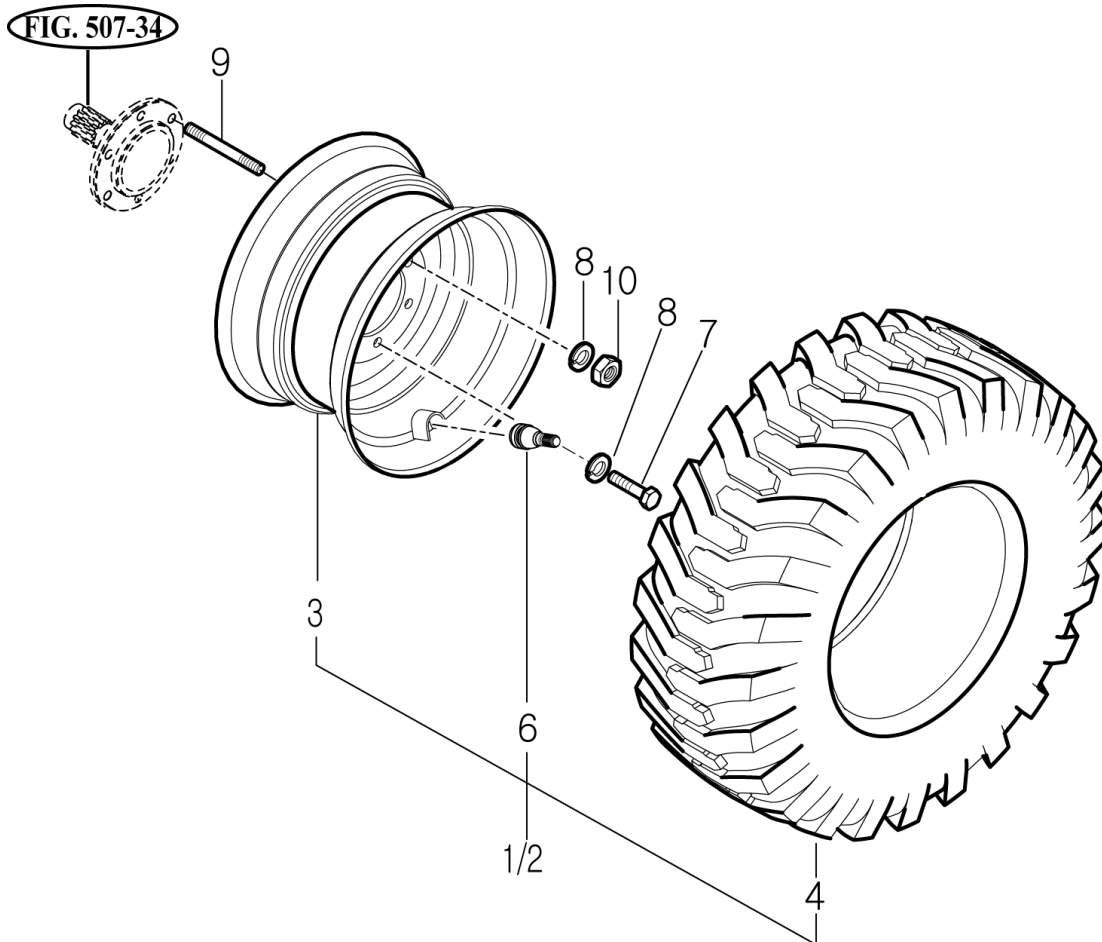
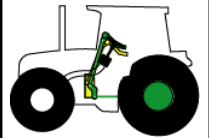
FRONT WHEEL

T503SH / T433NH

P1

Year / Month

2010 / 06



T503HST-E-305B

NOTE

FIG 305C

FRONT WHEEL

T503SH / T433NH

P1

Year / Month

2010 / 06

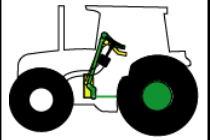
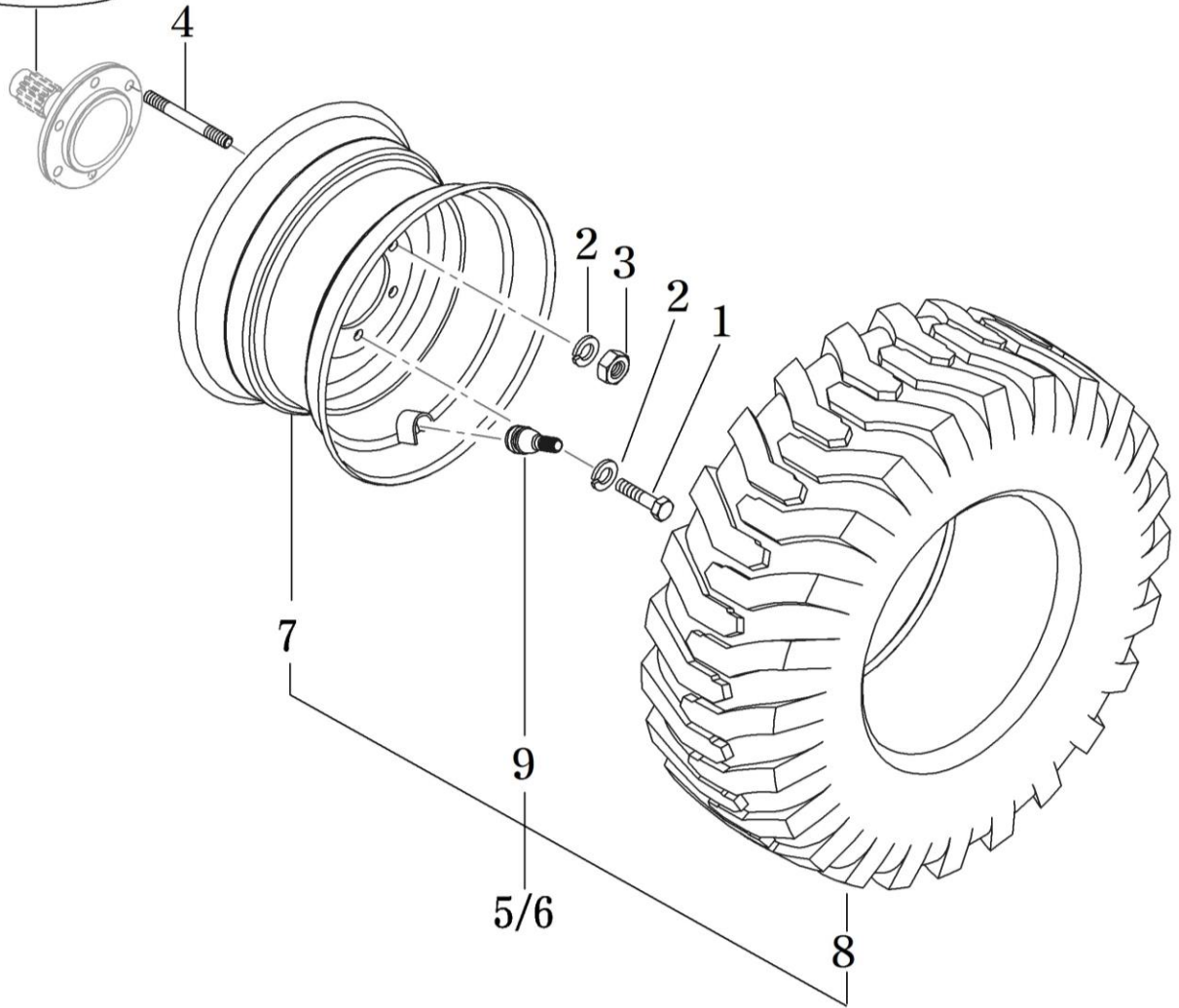


FIG. 506-34



T503-E-305C

NOTE

FIG 306A

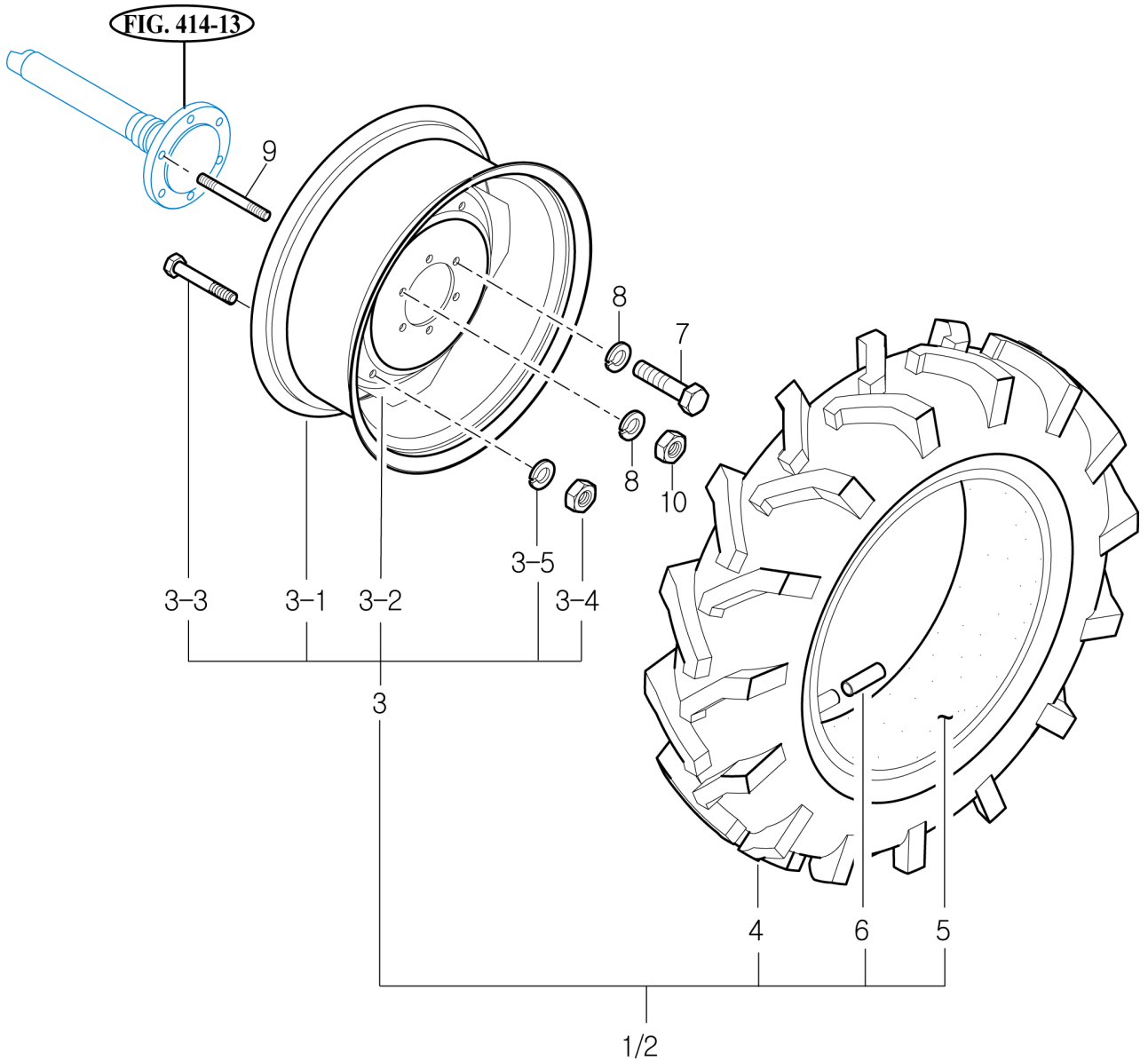
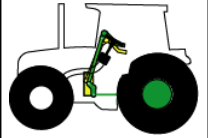
REAR WHEEL

T503SH / T433NH

P1

Year / Month

2010 / 06



T503HST-E-306A

NOTE

FIG 306B

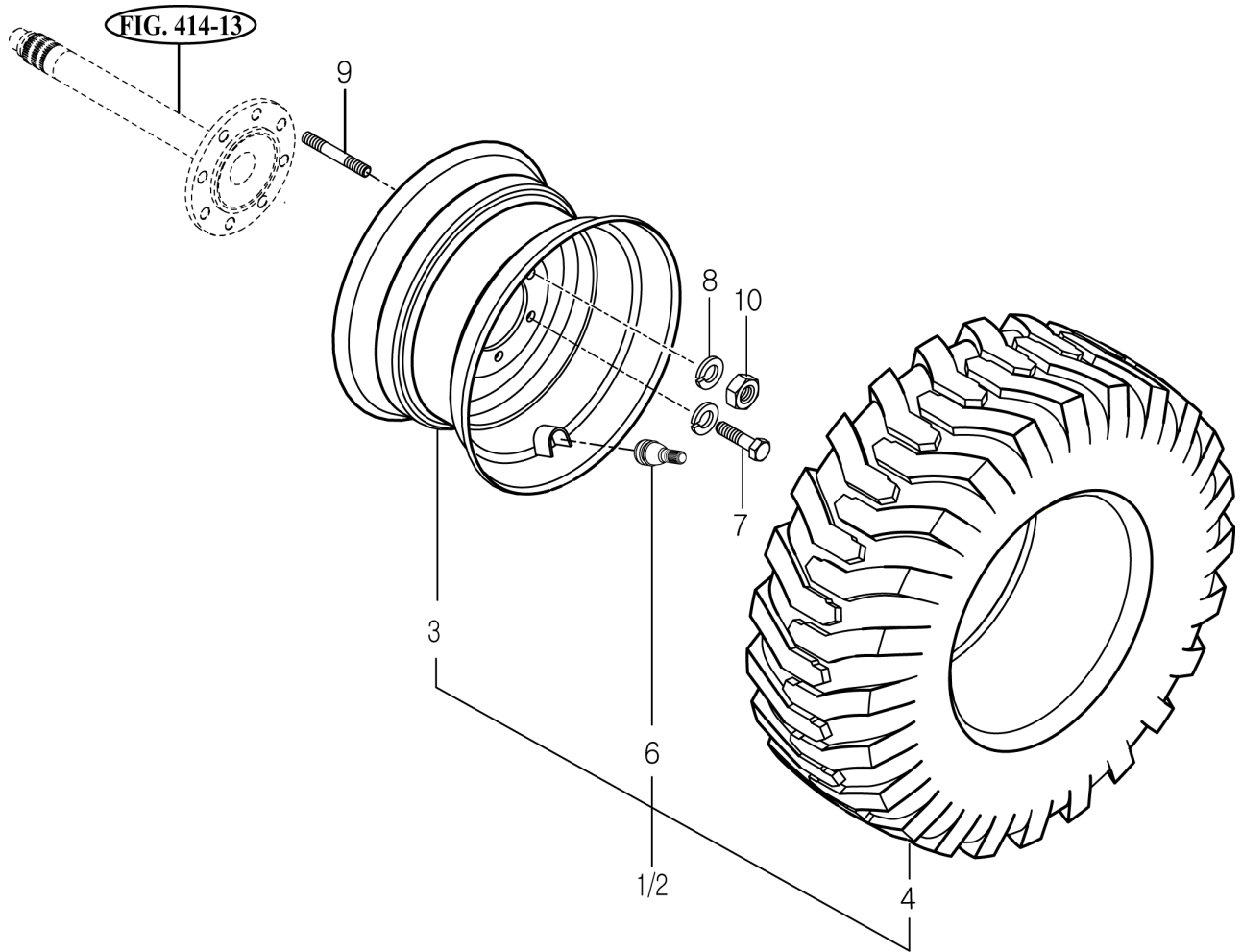
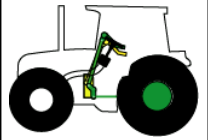
REAR WHEEL

T503SH / T433NH

P1

Year / Month

2010 / 06



T503HST-E-306B

NOTE

FIG 306C

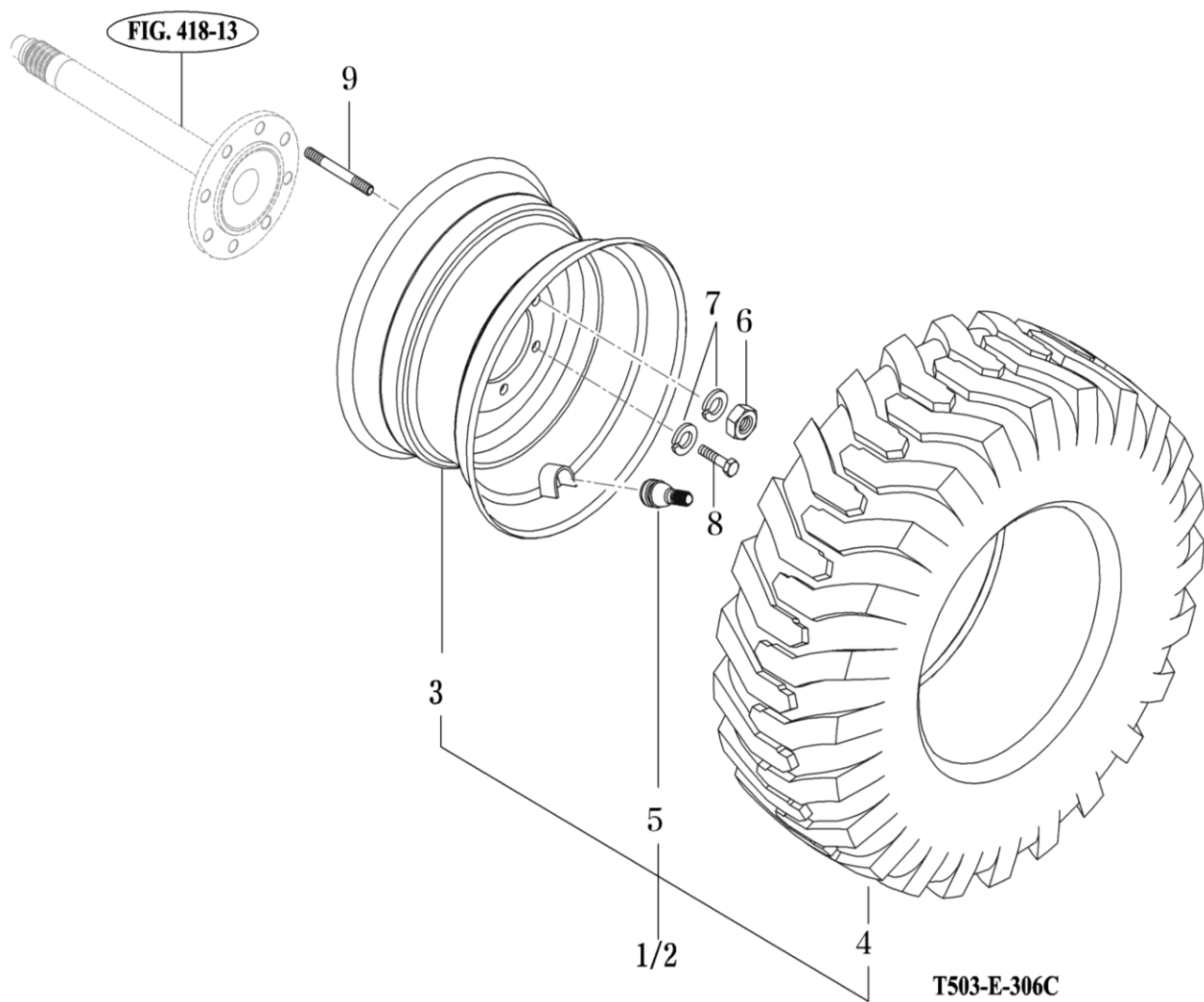
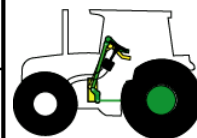
REAR WHEEL

T503SH / T433NH

P1

Year / Month

2010 / 06



NOTE

FIG 307

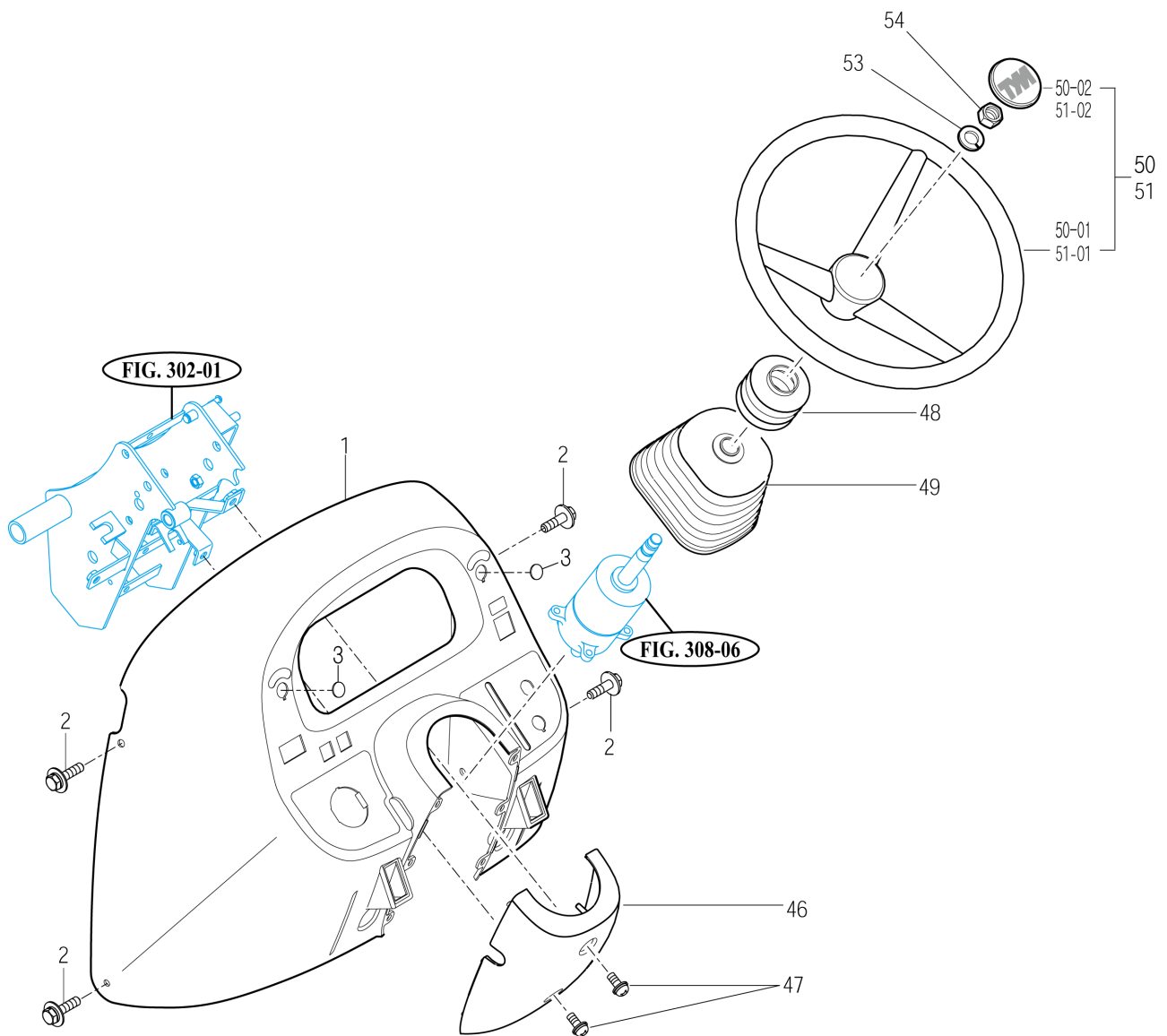
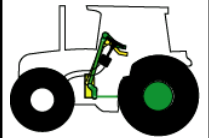
POWER STEERING WHEEL

T503SH / T433NH

P1

Year / Month

2010 / 06



T503SH-K-307

NOTE

FIG 308

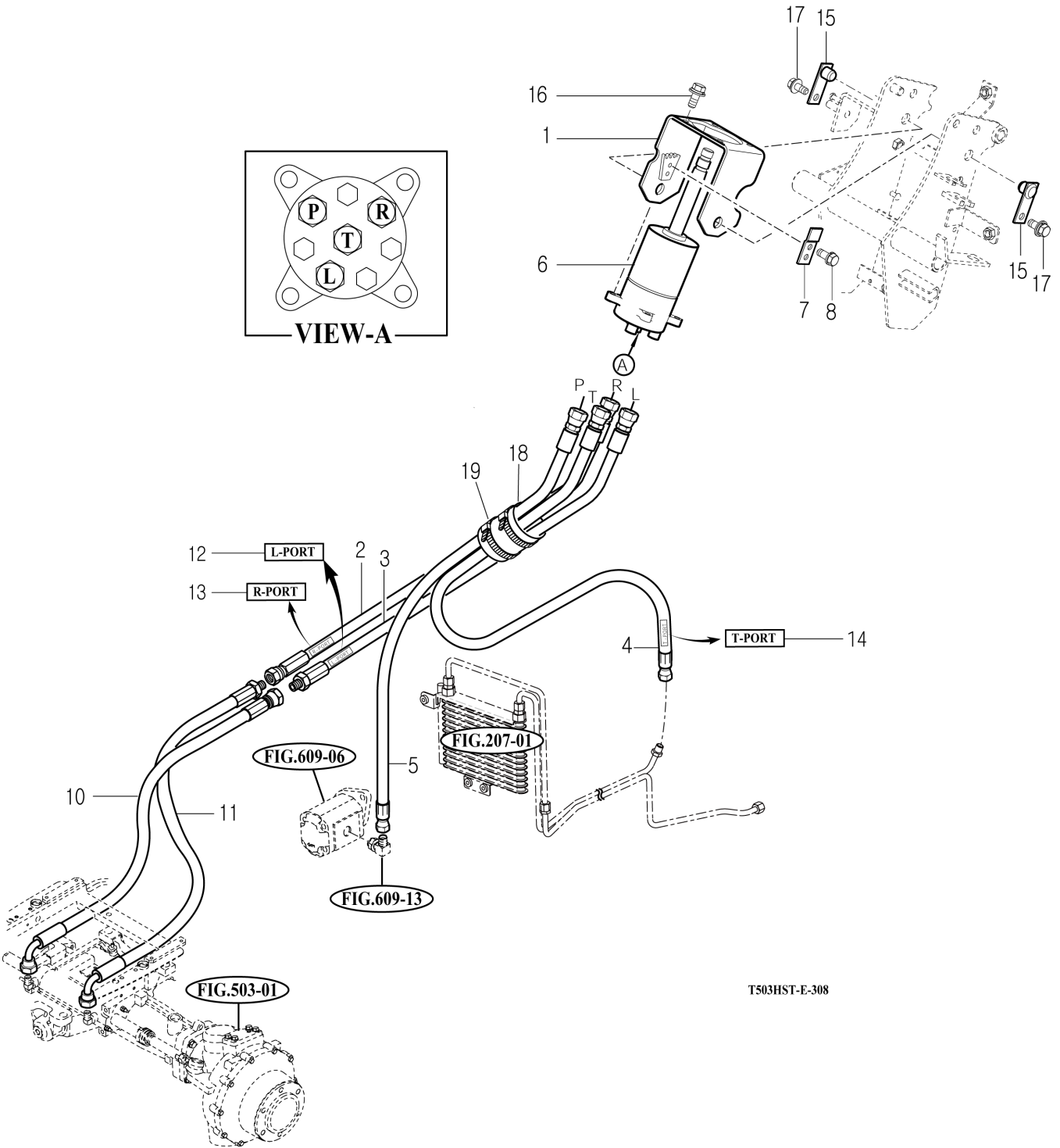
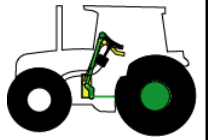
T503SH / T433NH

POWER STEERING VALVE

P1

Year / Month

2010 / 06



NOTE

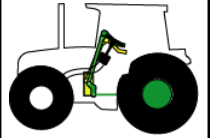
FIG 309

POWER STEERING CYLINDER

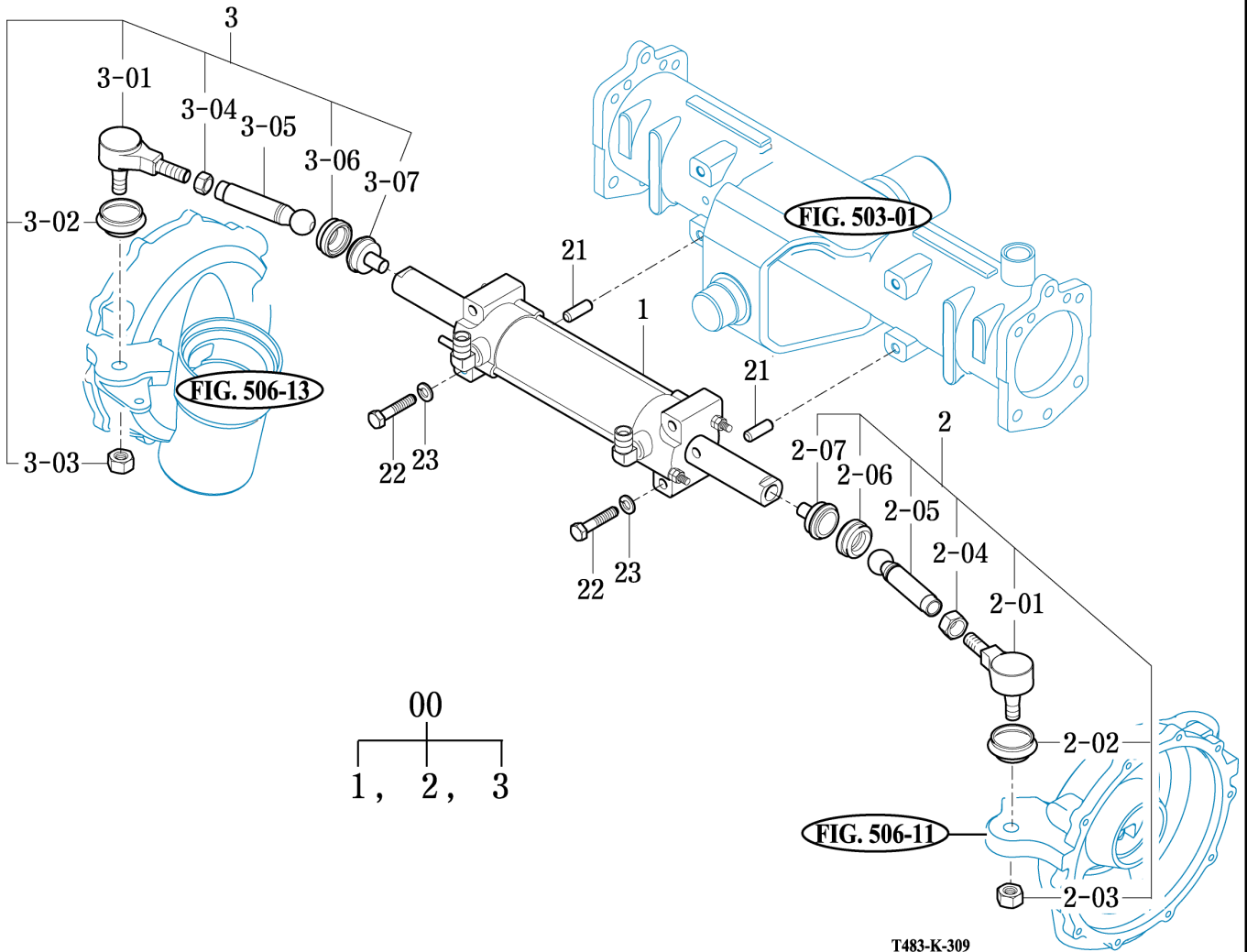
P1

Year / Month

2010 / 06



T503SH / T433NH



NOTE