

FIG 601

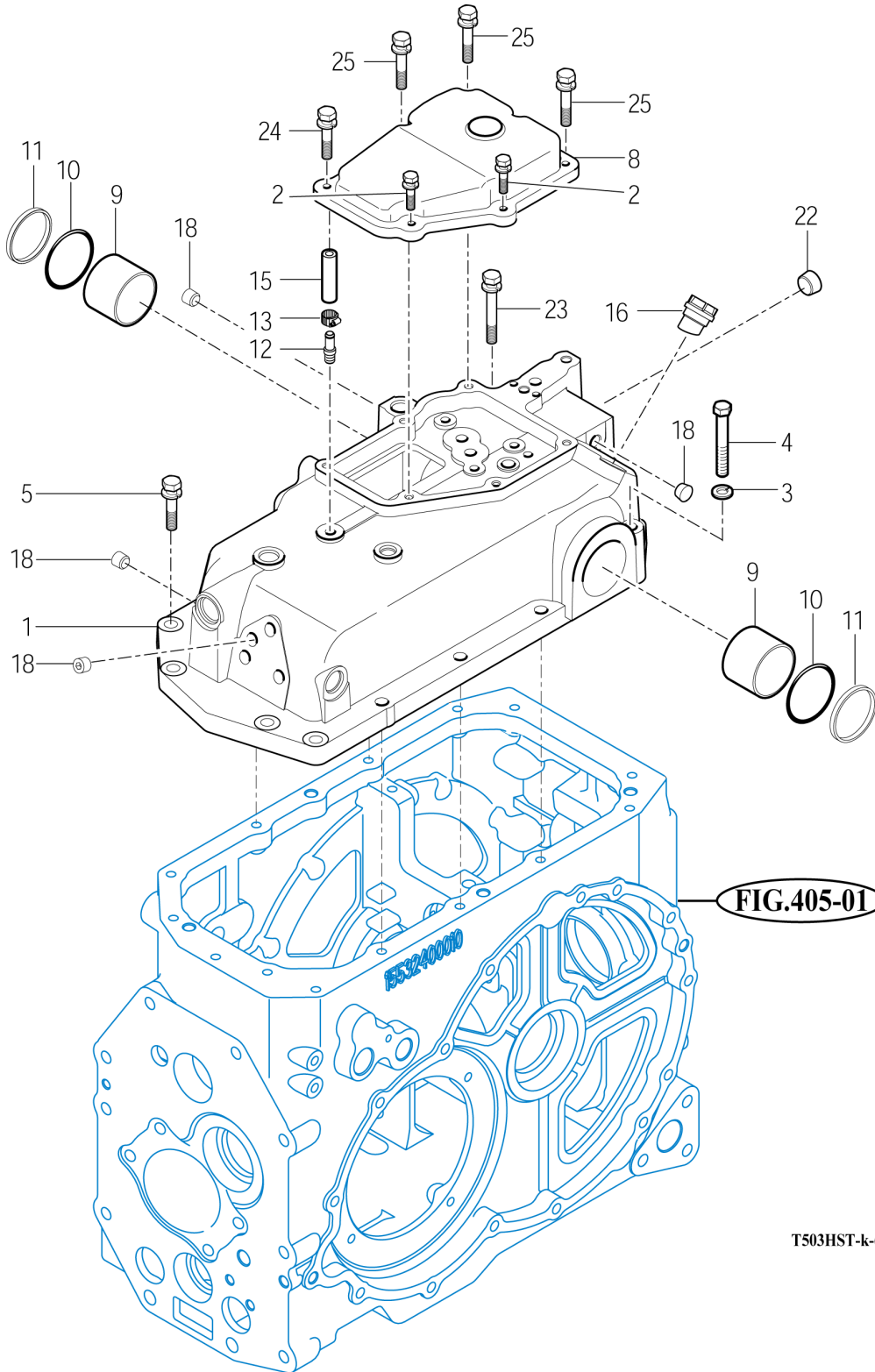
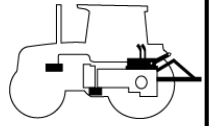
T503SH / T433NH

CYLINDER CASE

P1

Year / Month

2010 / 06



NOTE

FIG 602

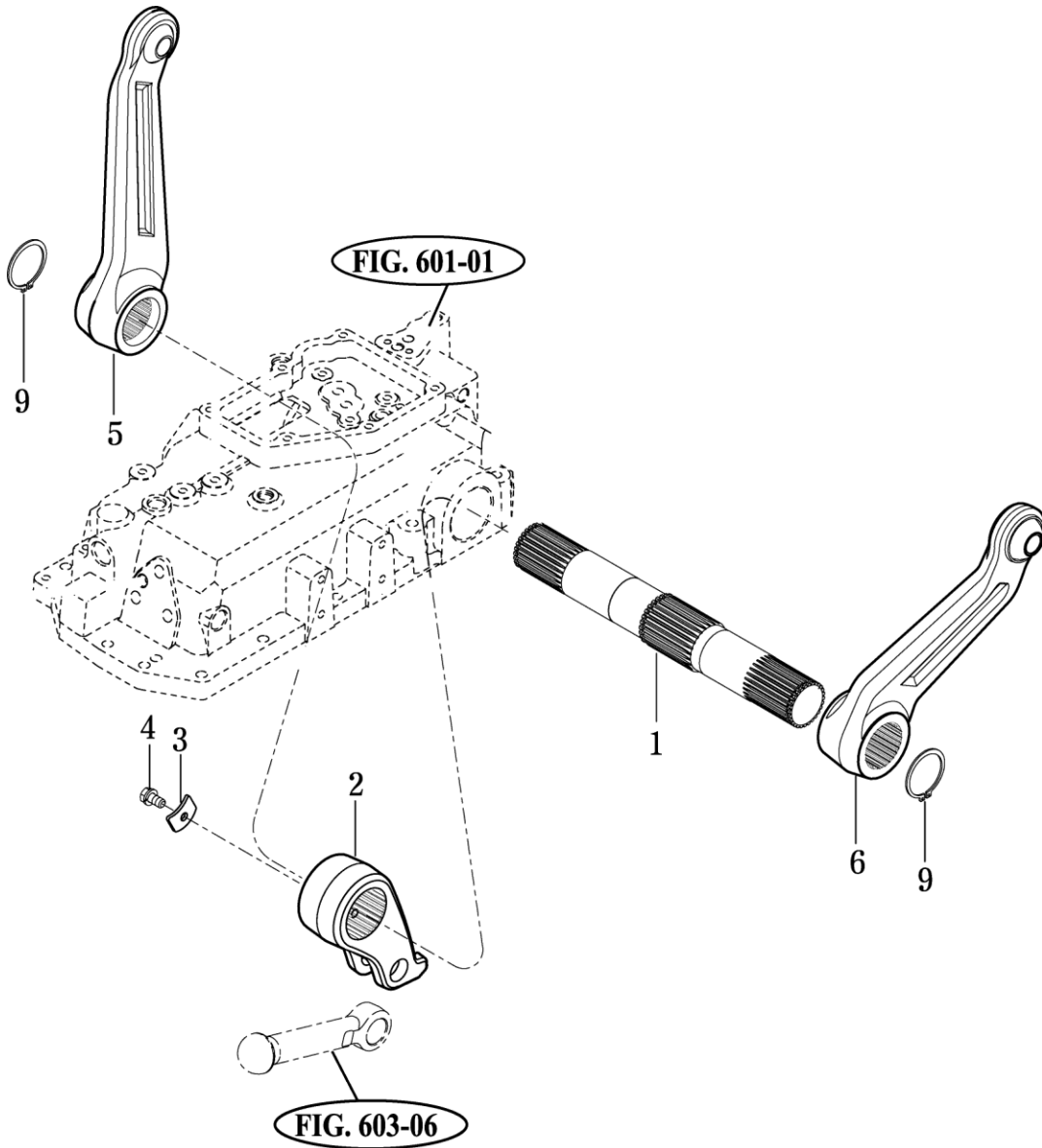
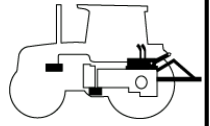
T503SH / T433NH

LIFT ARM

P1

Year / Month

2010 / 06



T473-E-602A

NOTE

FIG 603

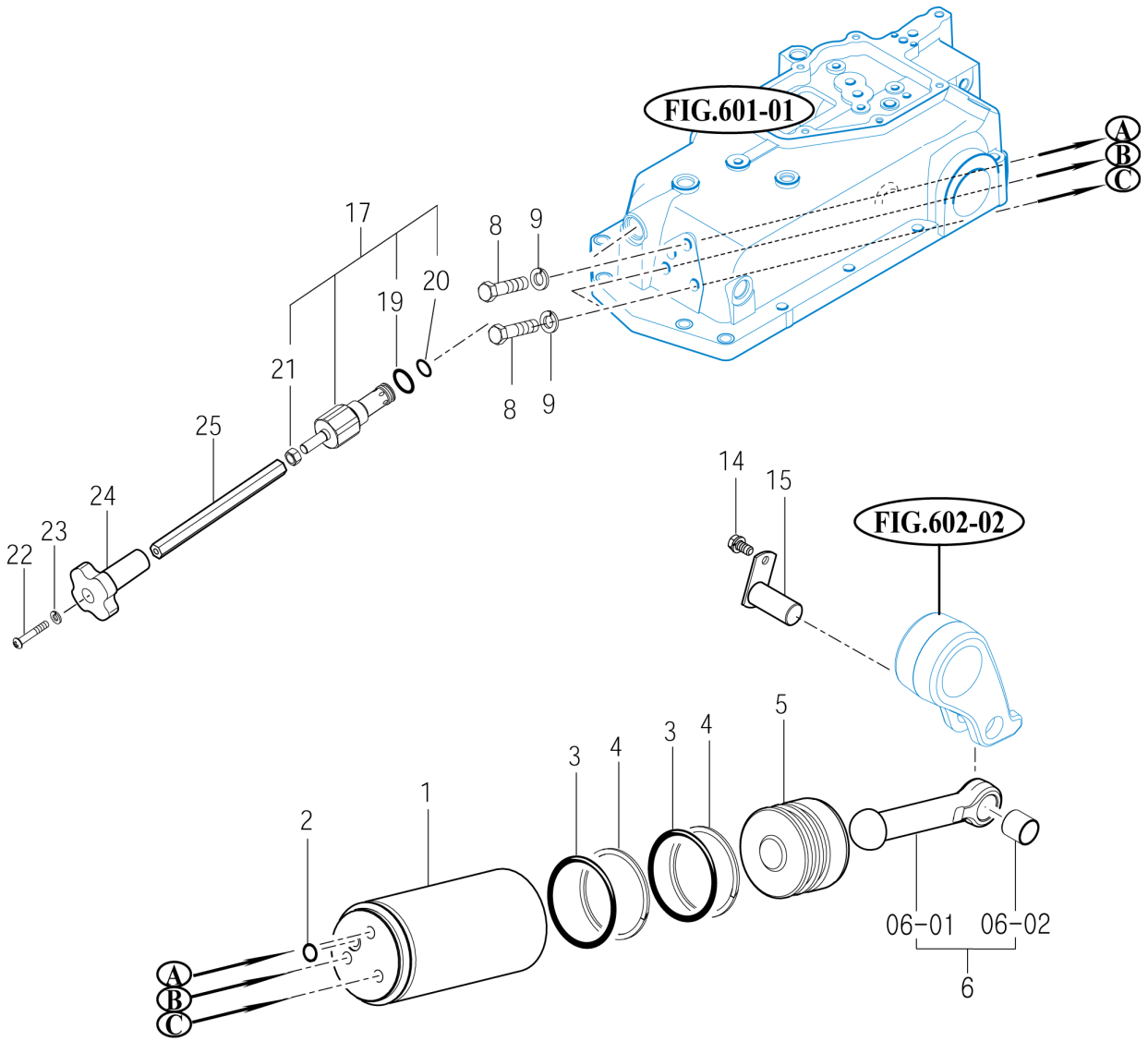
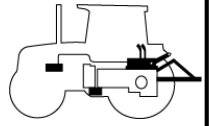
T503SH / T433NH

CYLINDER

P1

Year / Month

2010 / 06



T483-K-603

NOTE

FIG 604

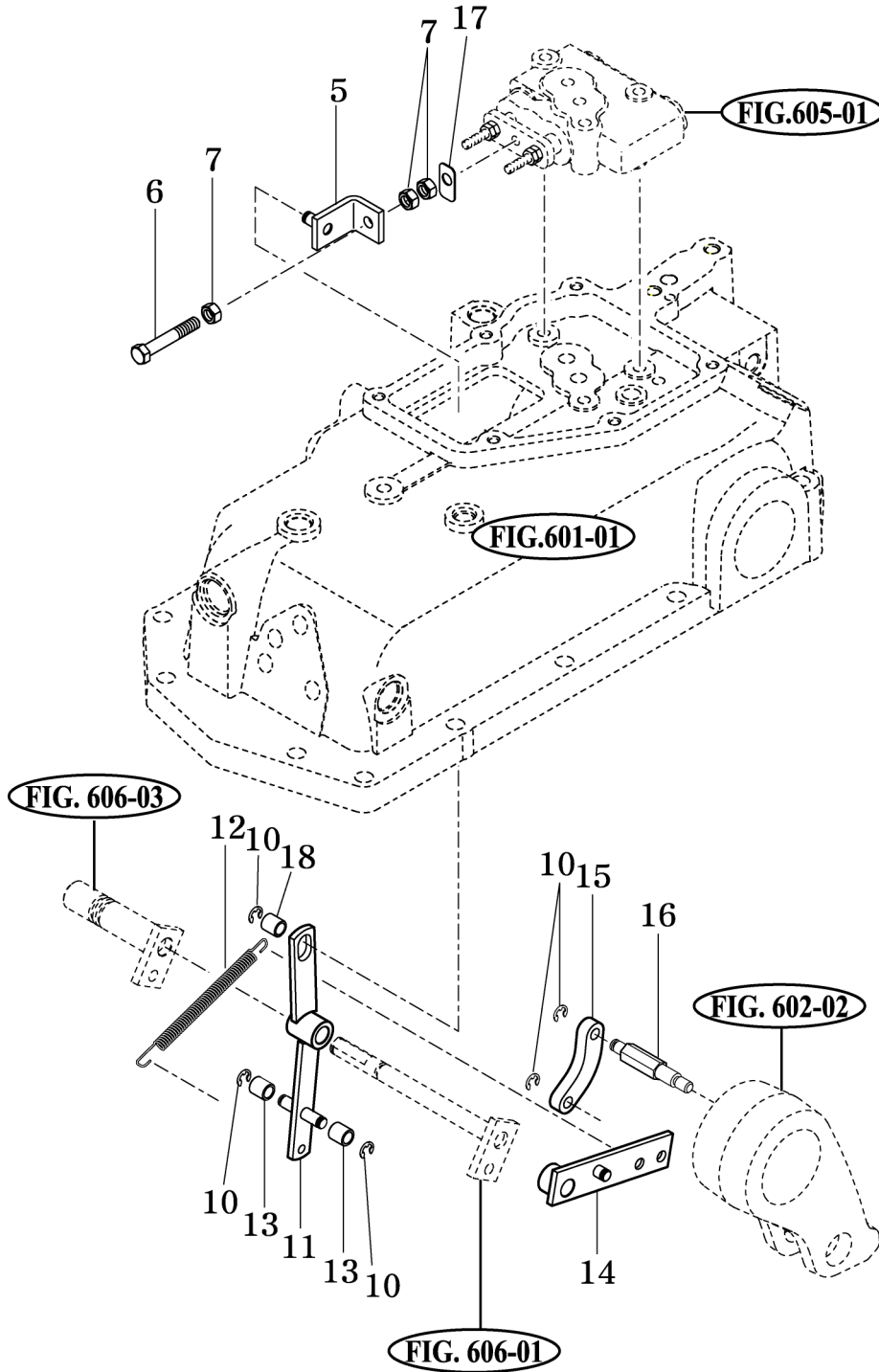
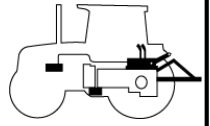
T503SH / T433NH

POSITION LINK

P1

Year / Month

2010 / 06



T483-K-604

NOTE

FIG 605

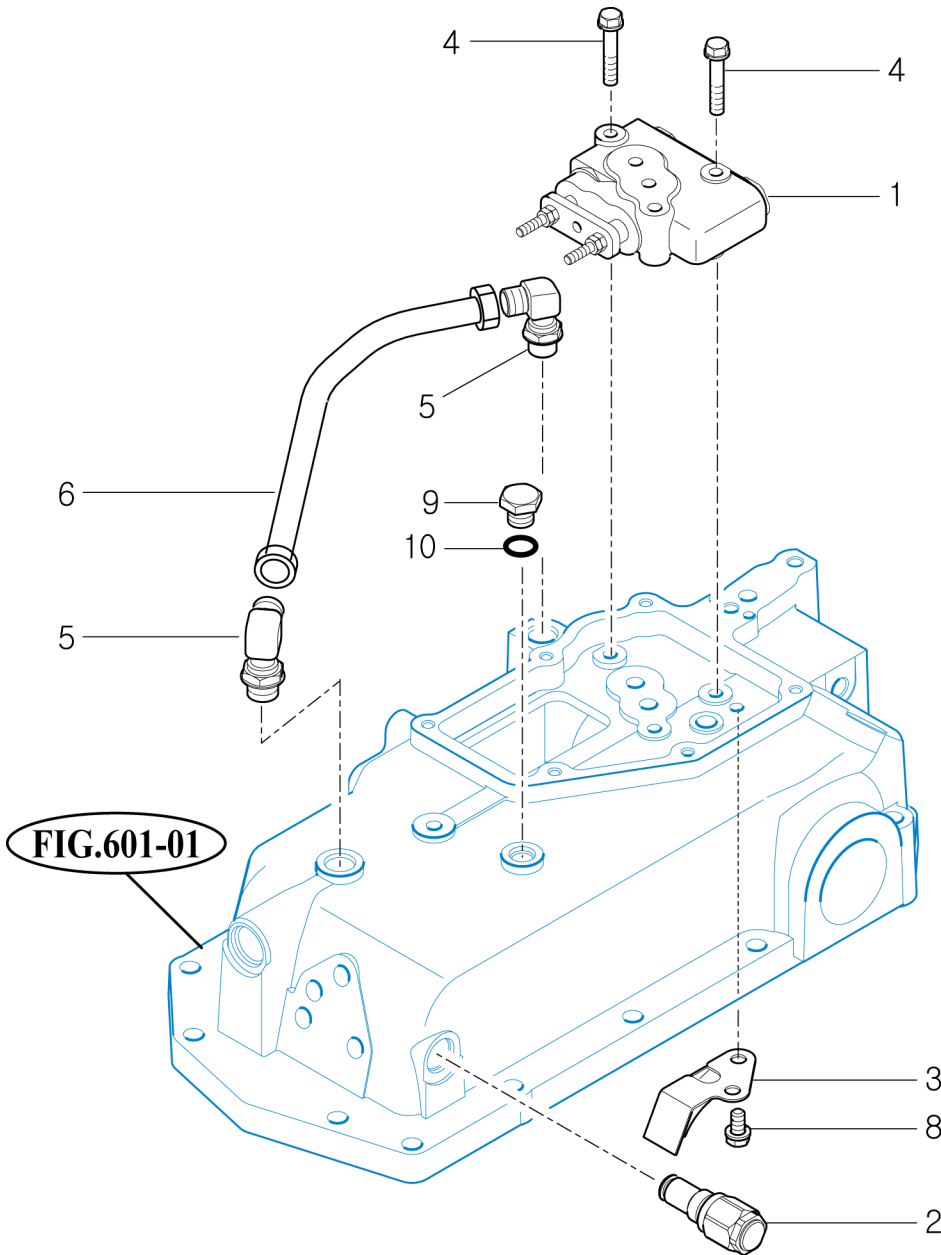
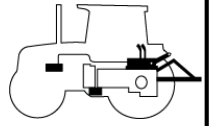
CONTROL VALVE

T503SH / T433NH

P1

Year / Month

2010 / 06



T503HST-K-605

NOTE

FIG 606

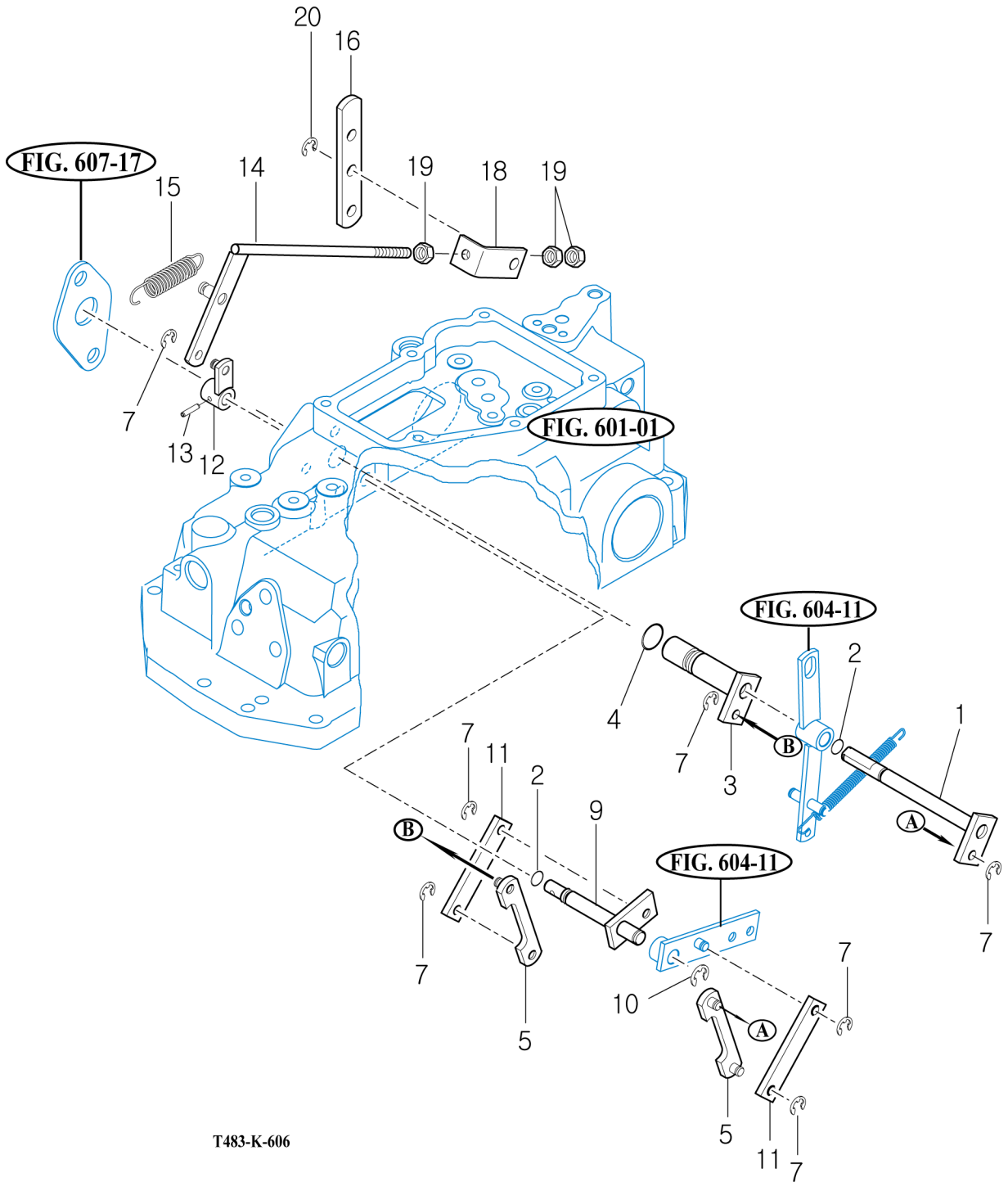
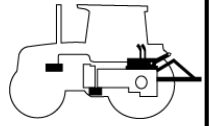
T503SH / T433NH

DRAFT LINK

P1

Year / Month

2010 / 06



T483-K-606

NOTE

FIG 607

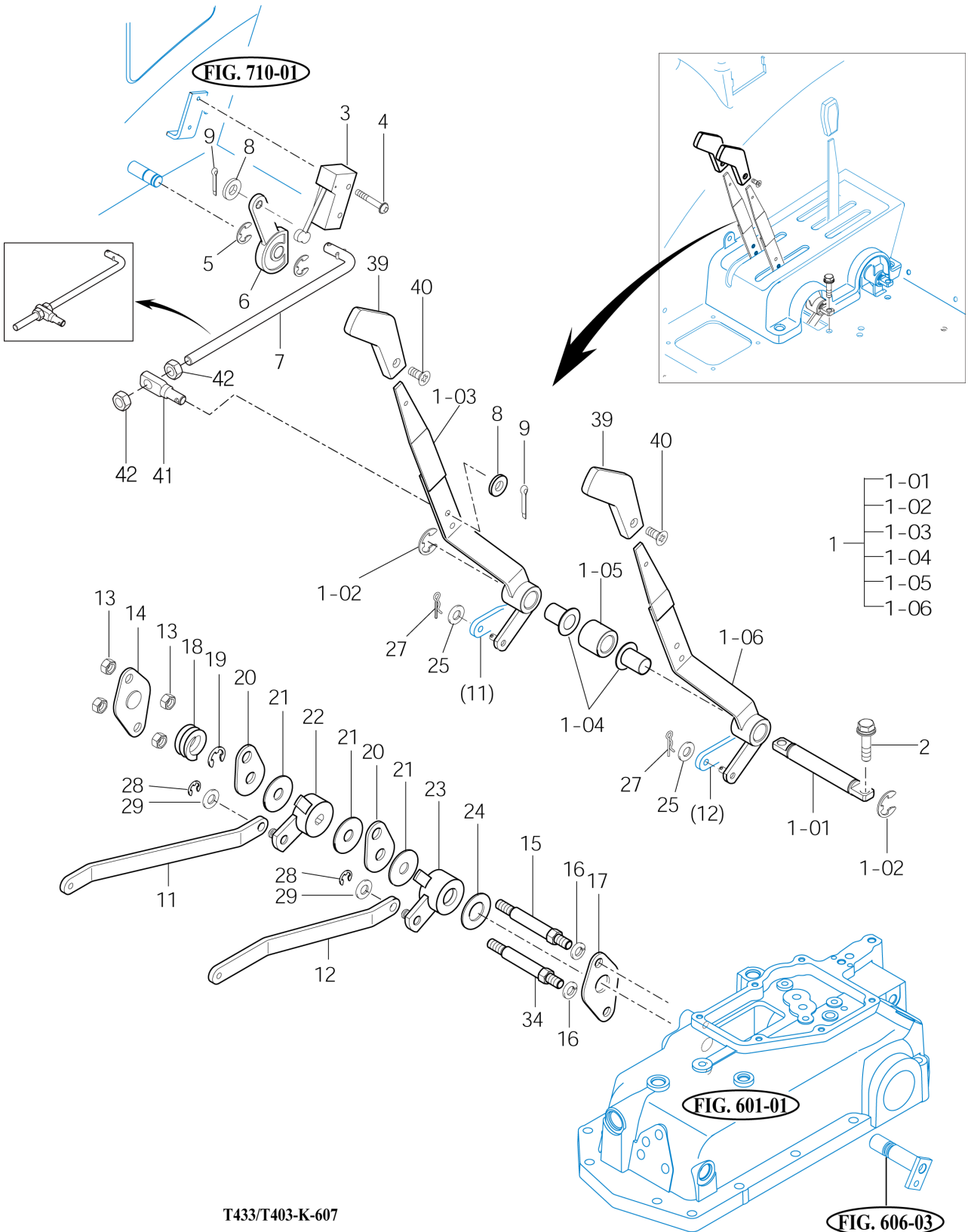
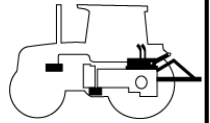
POSITION & DRAFT LEVER

T503SH / T433NH

P1

Year / Month

2010 / 06



NOTE

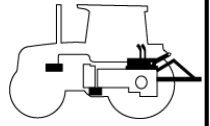
FIG 608A

EXTERIOR HYD.VALVE

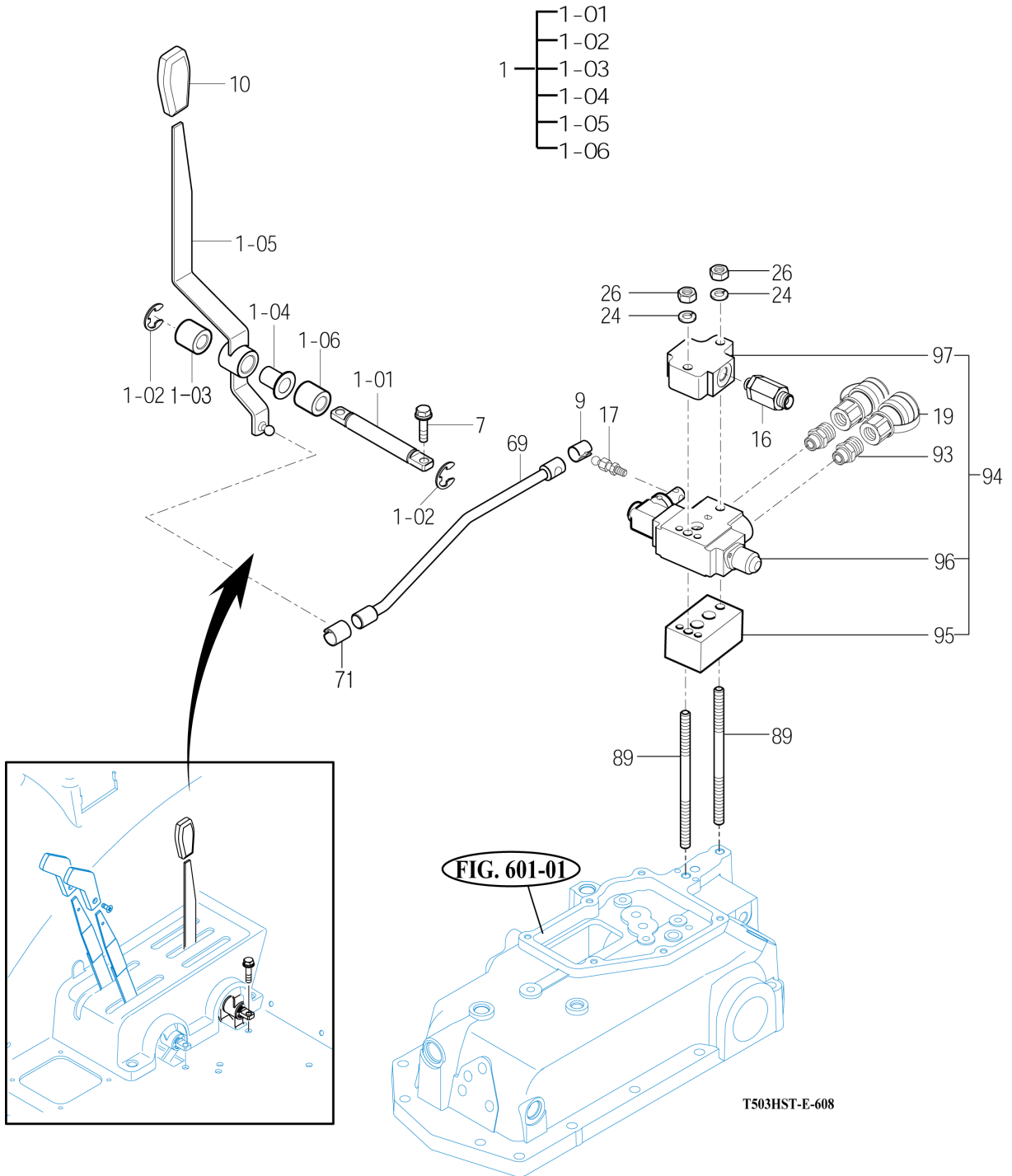
P1

Year / Month

2010 / 06



T503SH / T433NH



NOTE

FIG 608B

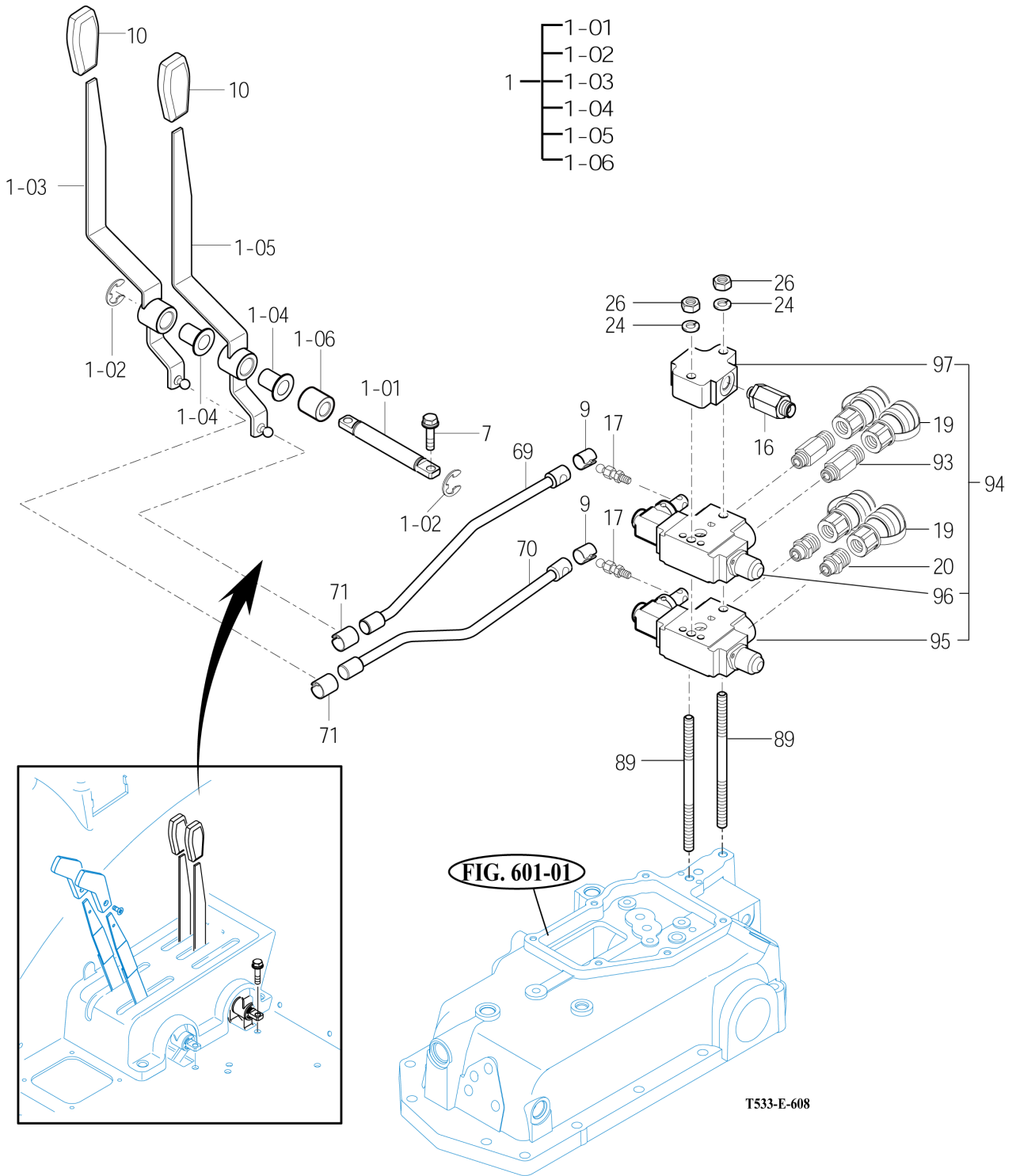
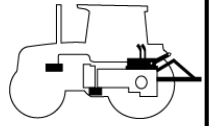
EXTERIOR HYD.VALVE (GBC TYPE)

T503SH / T433NH

P1

Year / Month

2010 / 06



NOTE

FIG 609

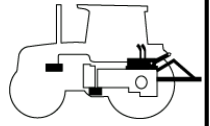
HYDRAULIC PIPE

T503SH / T433NH

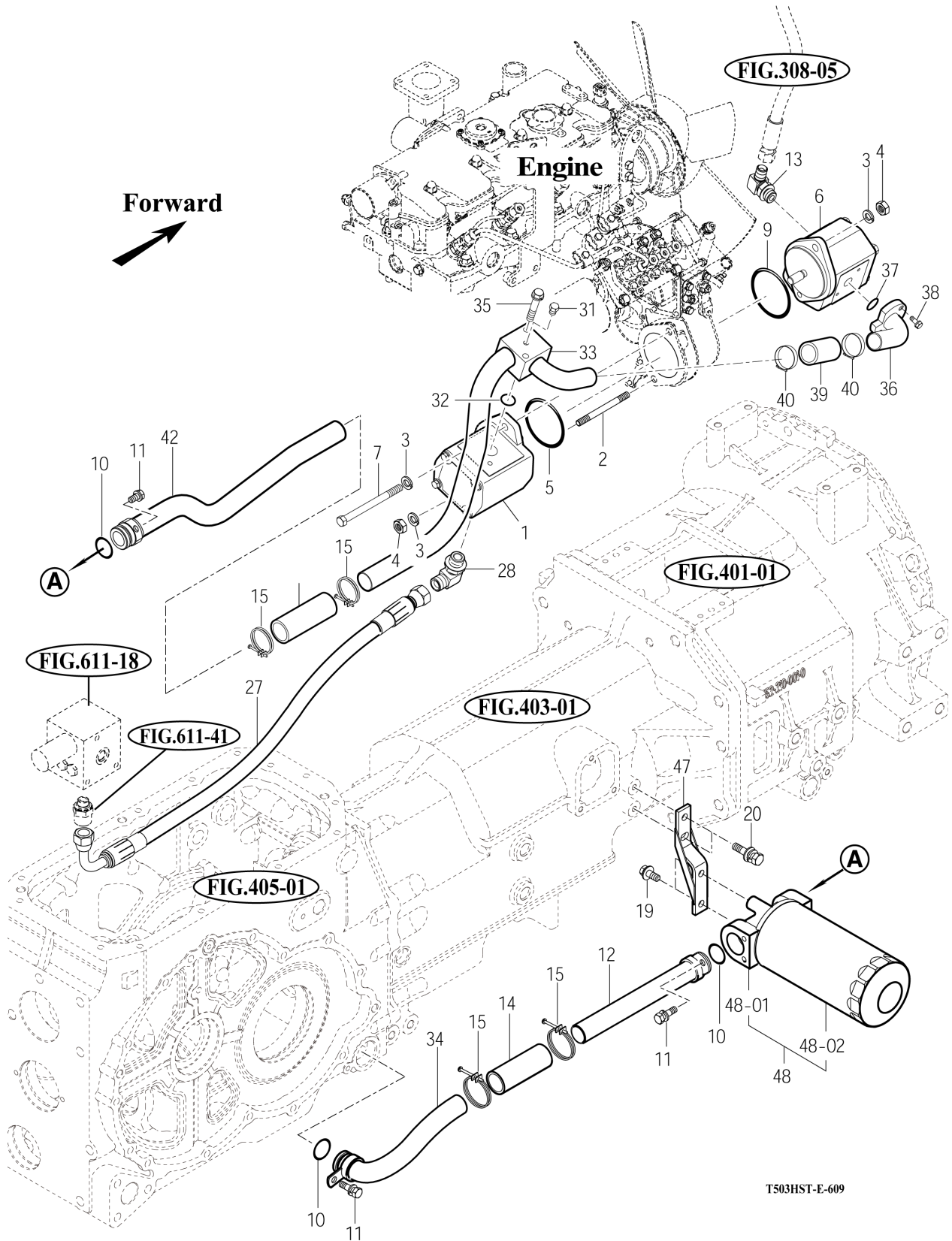
P1

Year / Month

2010 / 06



Forward



T503HST-E-609

NOTE

FIG 610

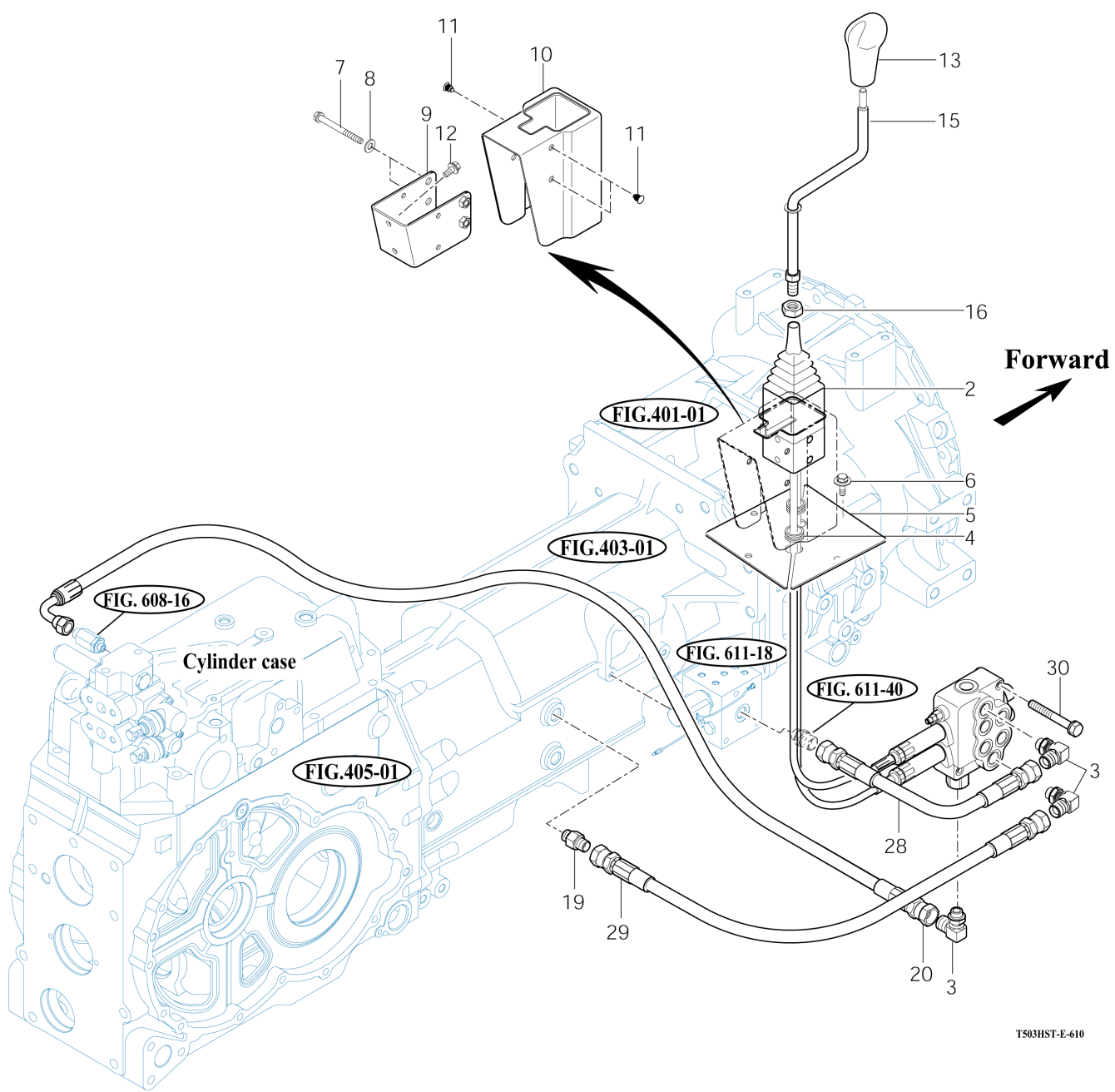
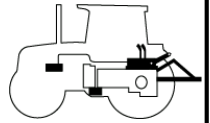
T503SH / T433NH

JOYSTICK

P1

Year / Month

2010 / 06



Forward

T503HST-E-610

NOTE

FIG 611

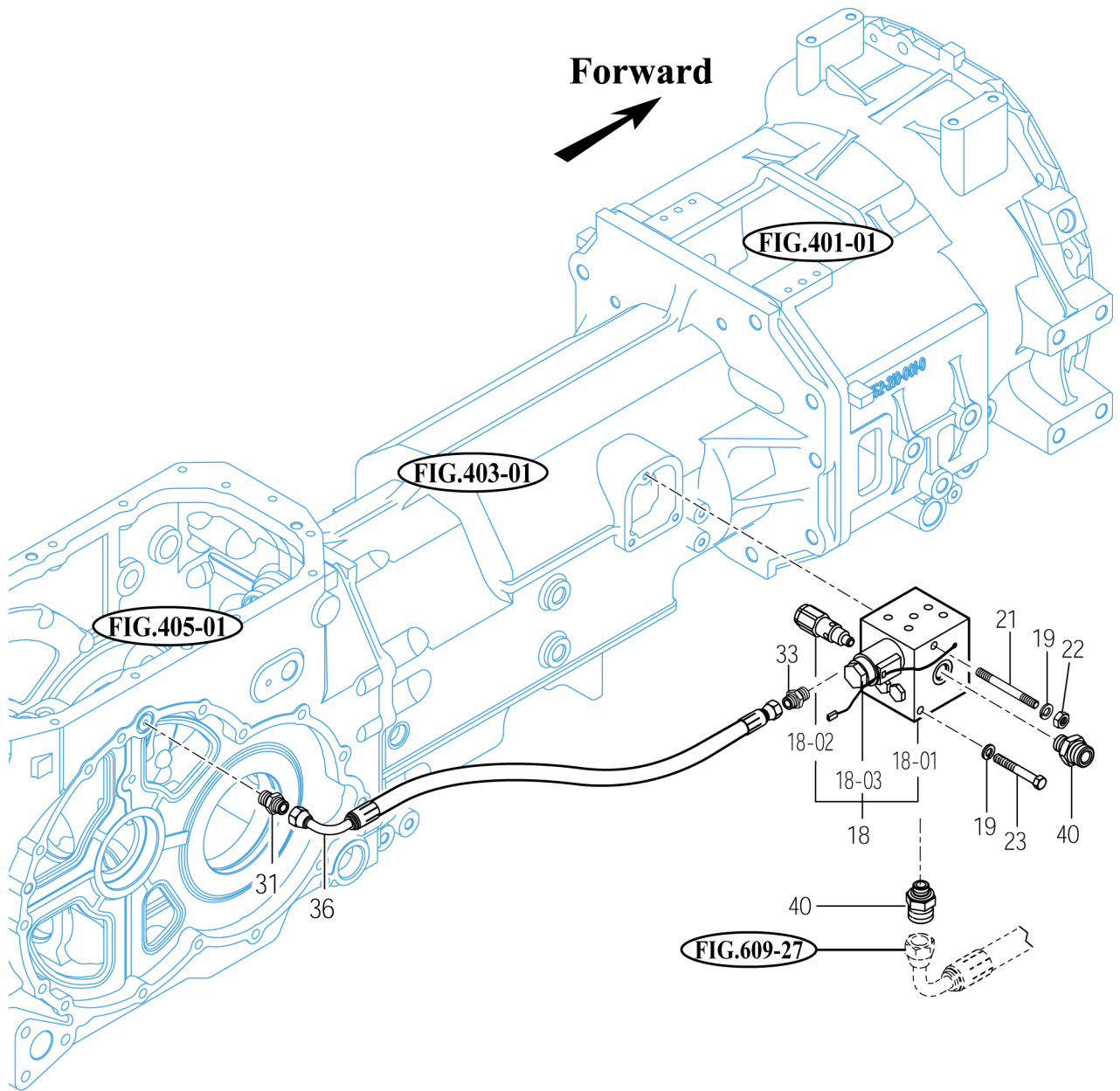
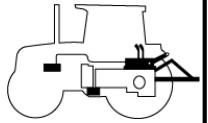
HYDRAULIC HOSE

T503SH / T433NH

P1

Year / Month

2010 / 06



T503-E-611

NOTE

FIG 612

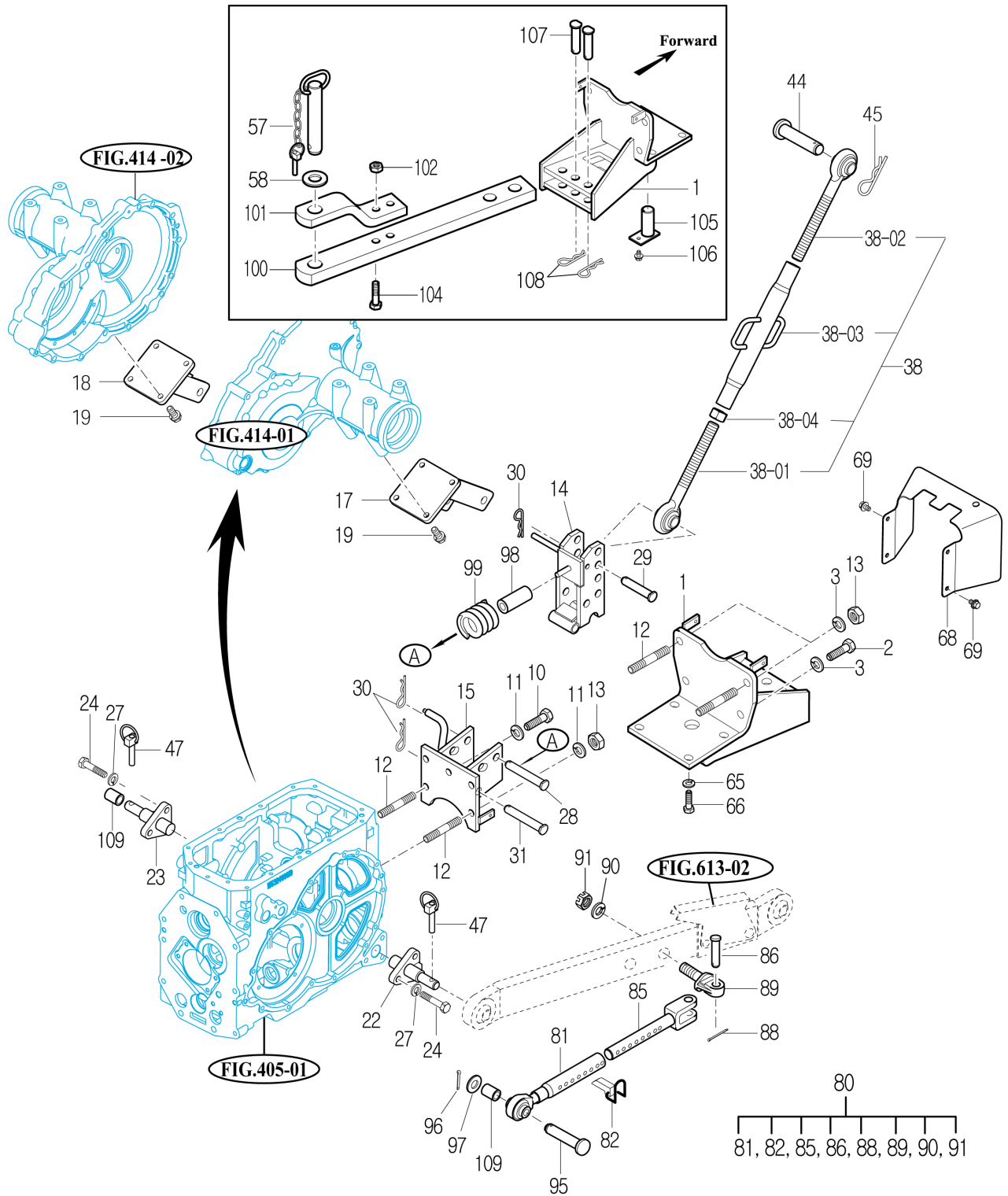
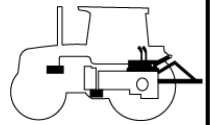
HITCH & 3-POINT LINK

T503SH / T433NH

P1

Year / Month

2010 / 06



T553-E-612

NOTE

FIG 612

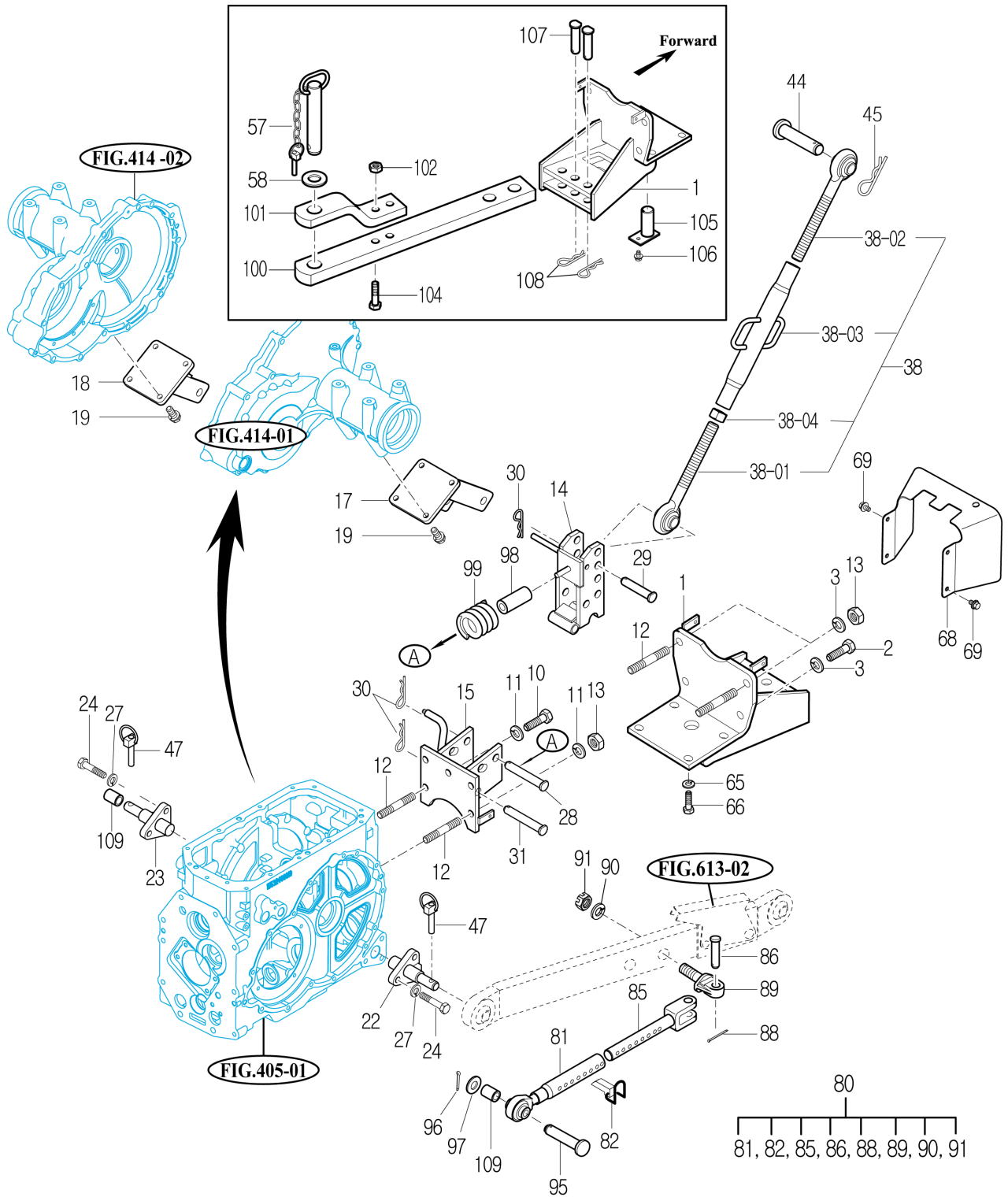
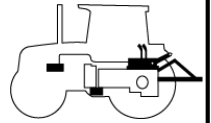
HITCH & 3-POINT LINK

T503SH / T433NH

P2

Year / Month

2010 / 06



T553-E-612

NOTE

FIG 613

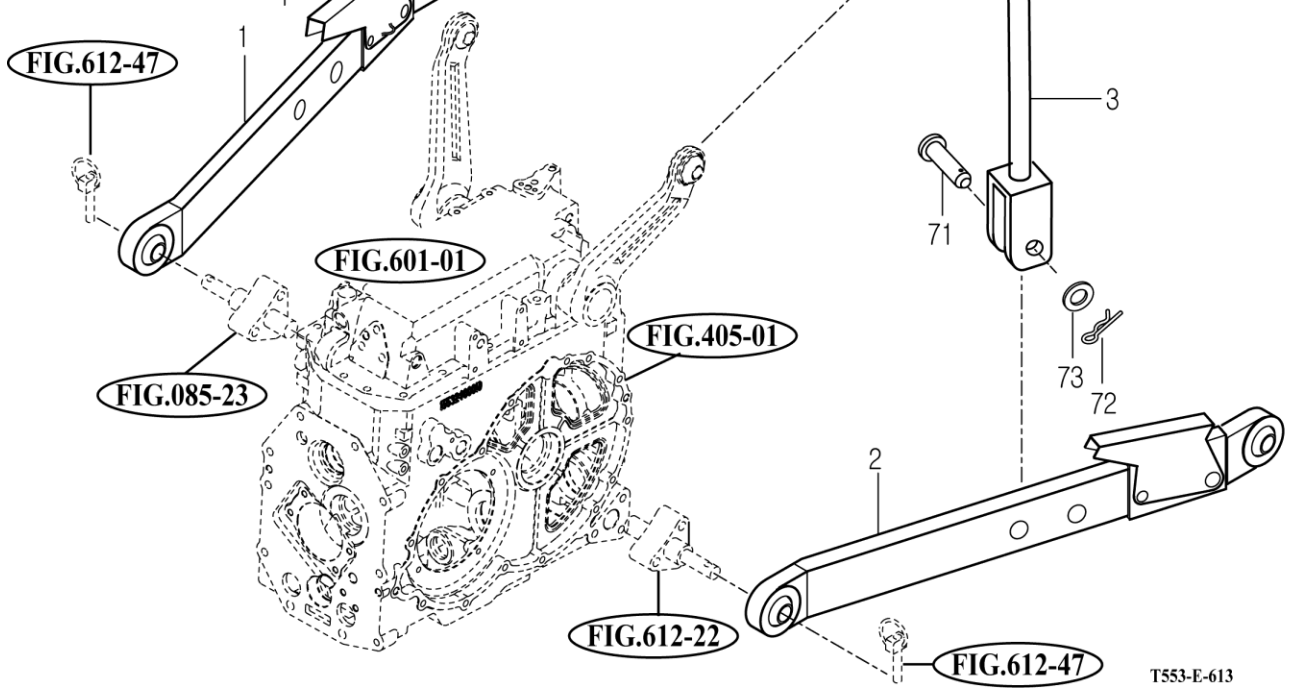
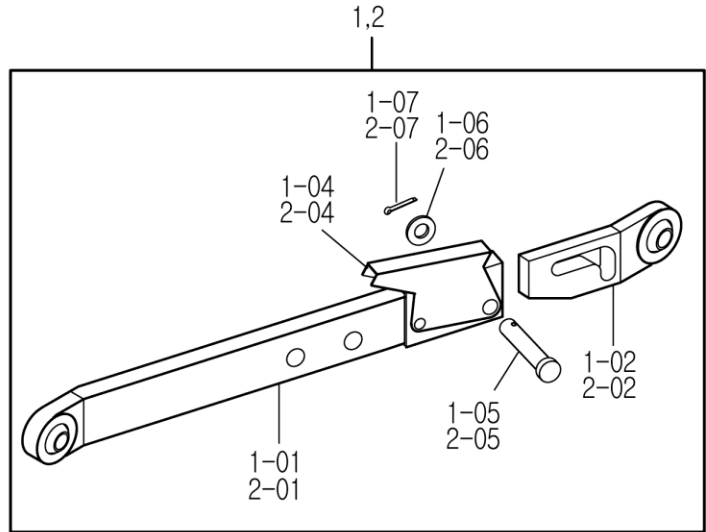
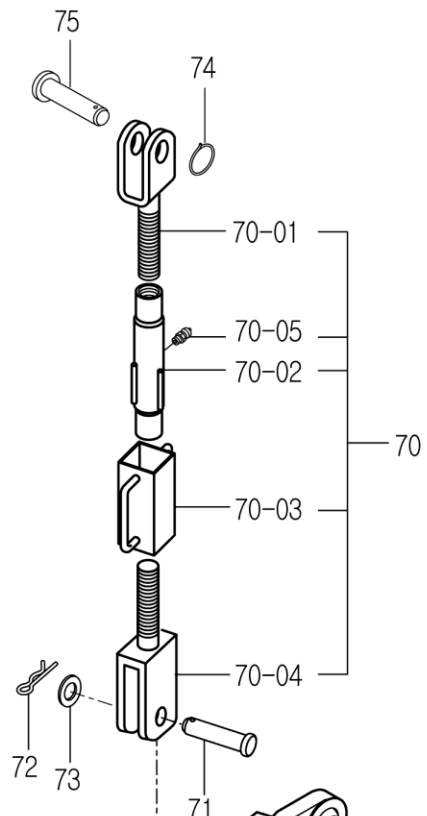
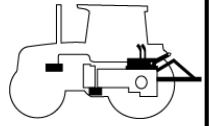
LOWER LINK & LIFT ROD

T503SH / T433NH

P1

Year / Month

2010 / 06



T553-E-613

NOTE