

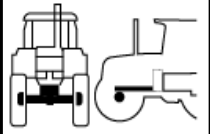
FIG 501

FRONT AXLE SUPPORT

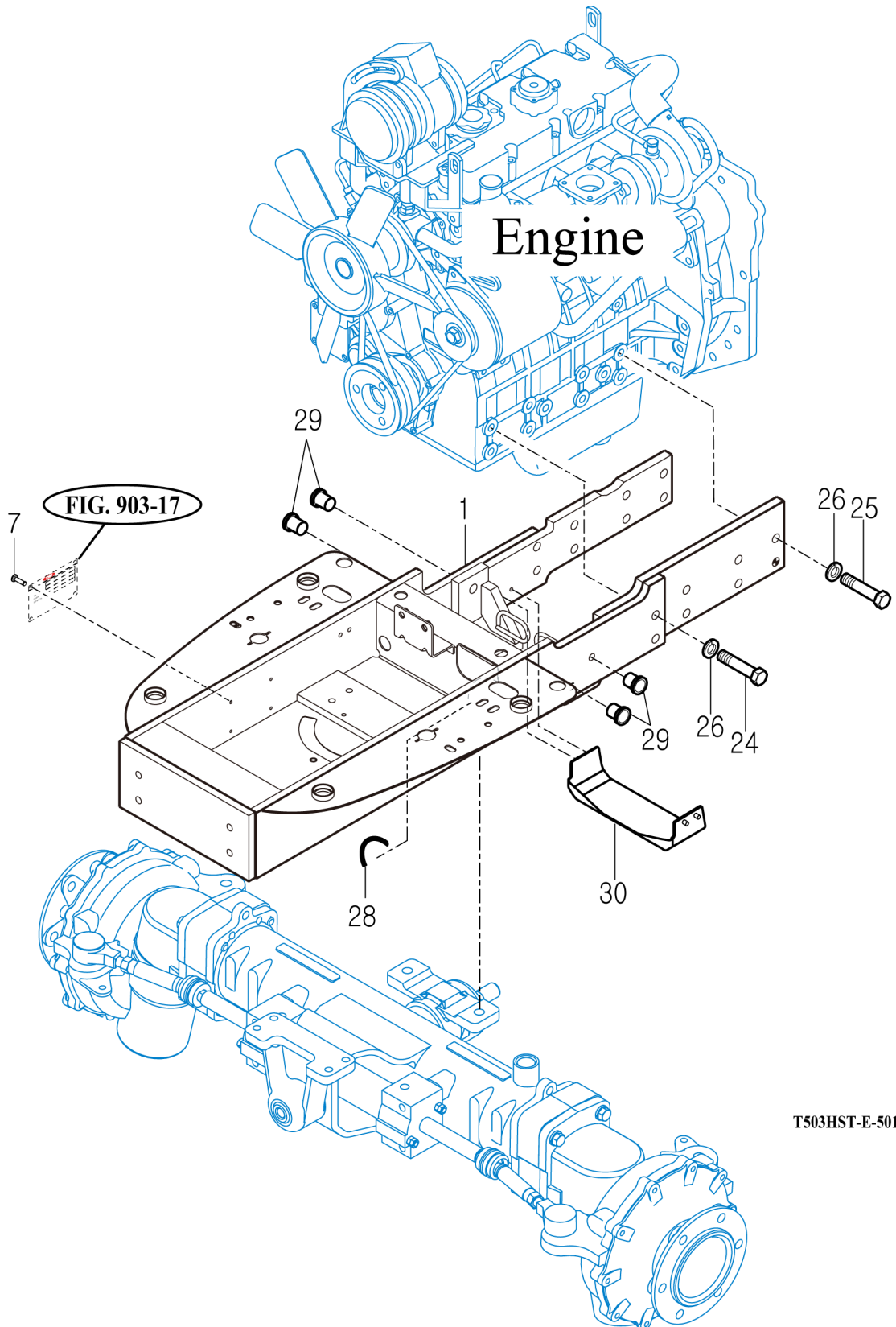
P1

Year / Month

2010 / 06



T503SH / T433NH



T503HST-E-501

NOTE

FIG 502

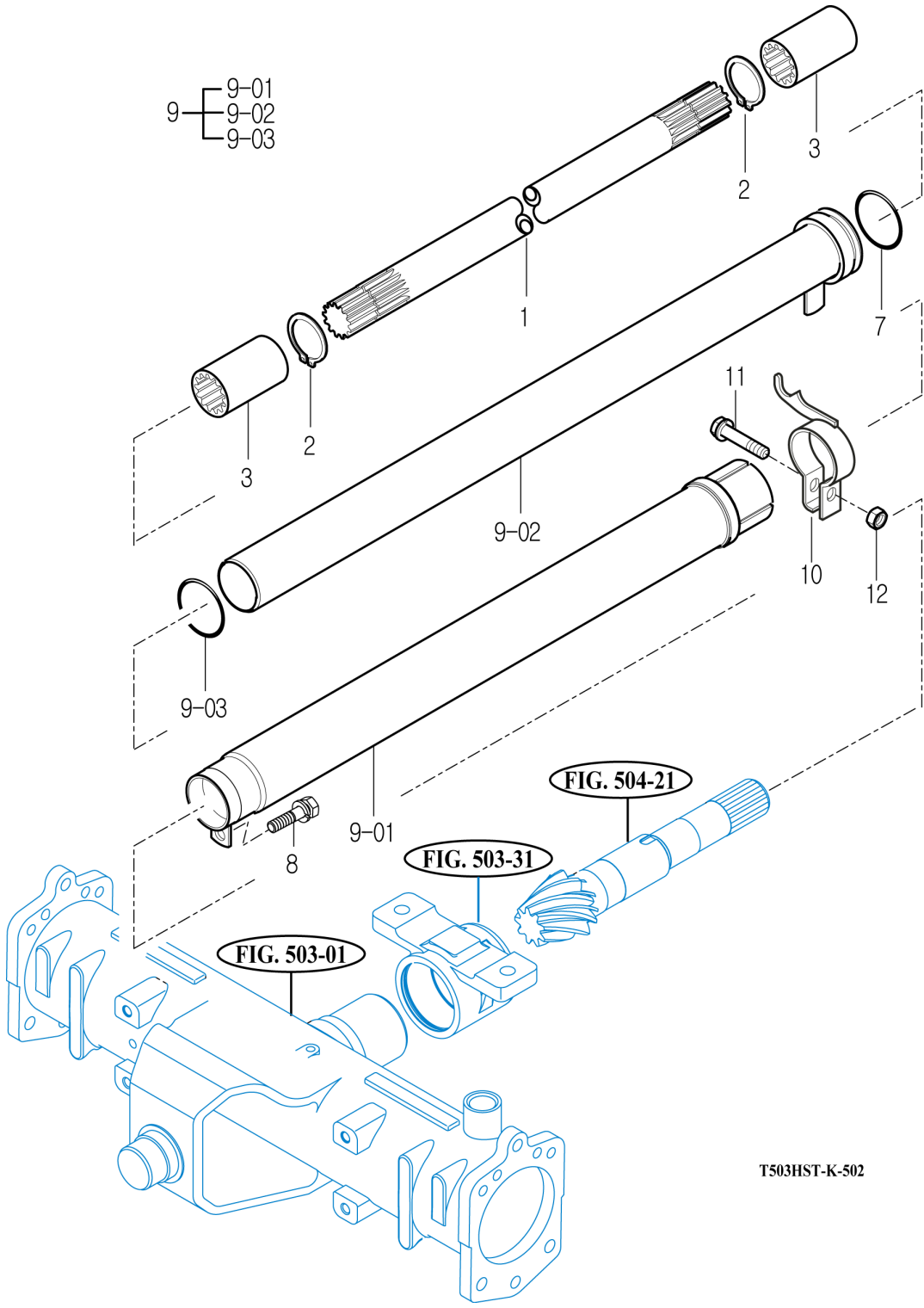
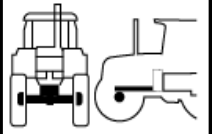
FRONT DRIVE SHAFT

T503SH / T433NH

P1

Year / Month

2010 / 06



T503HST-K-502

NOTE

FIG 503

FRONT AXLE HOUSING

T503SH / T433NH

P1

Year / Month

2010 / 06

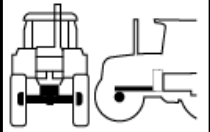
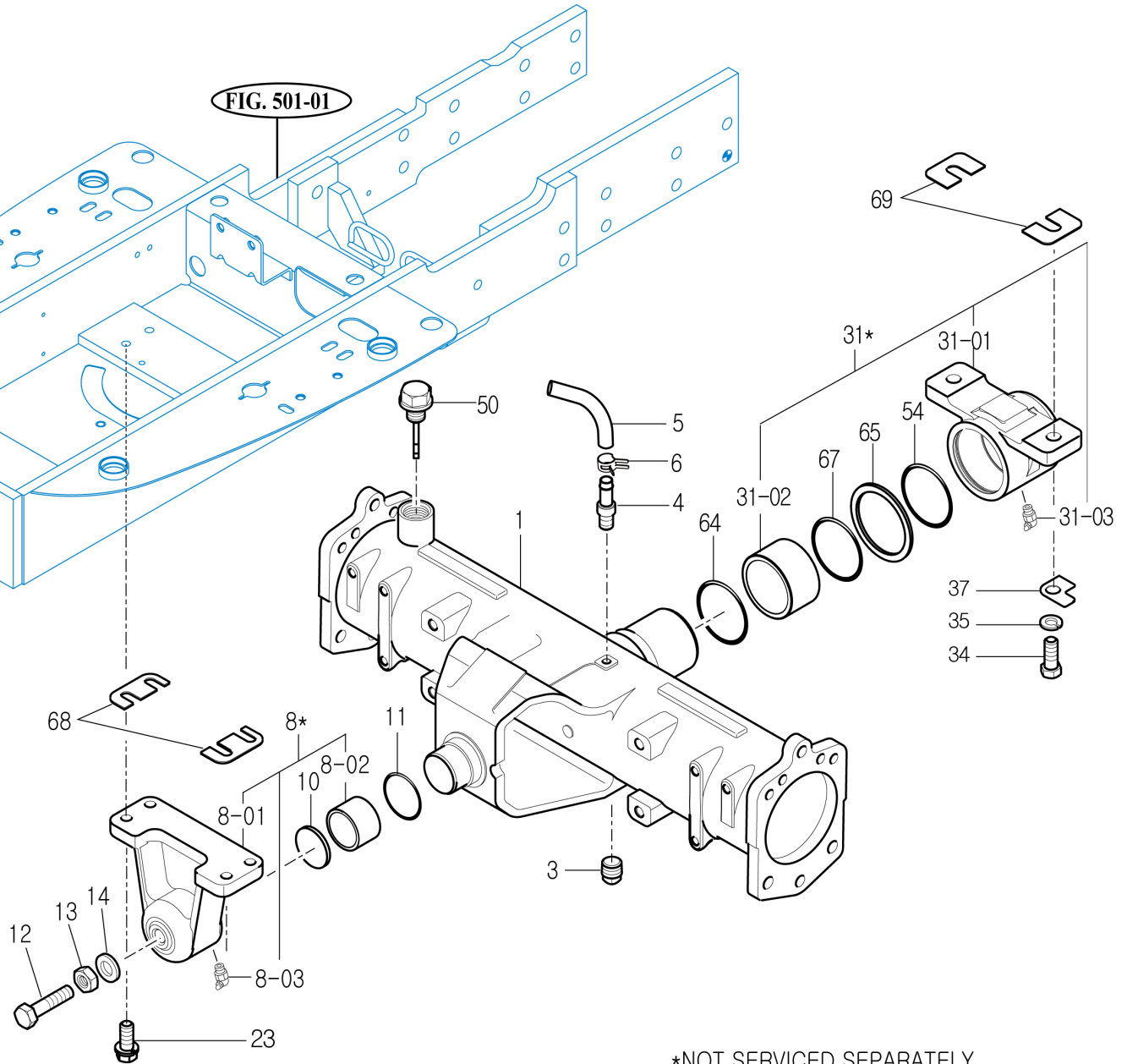


FIG. 501-01



*NOT SERVICED SEPARATELY

T483-E-503A

NOTE

FIG 504

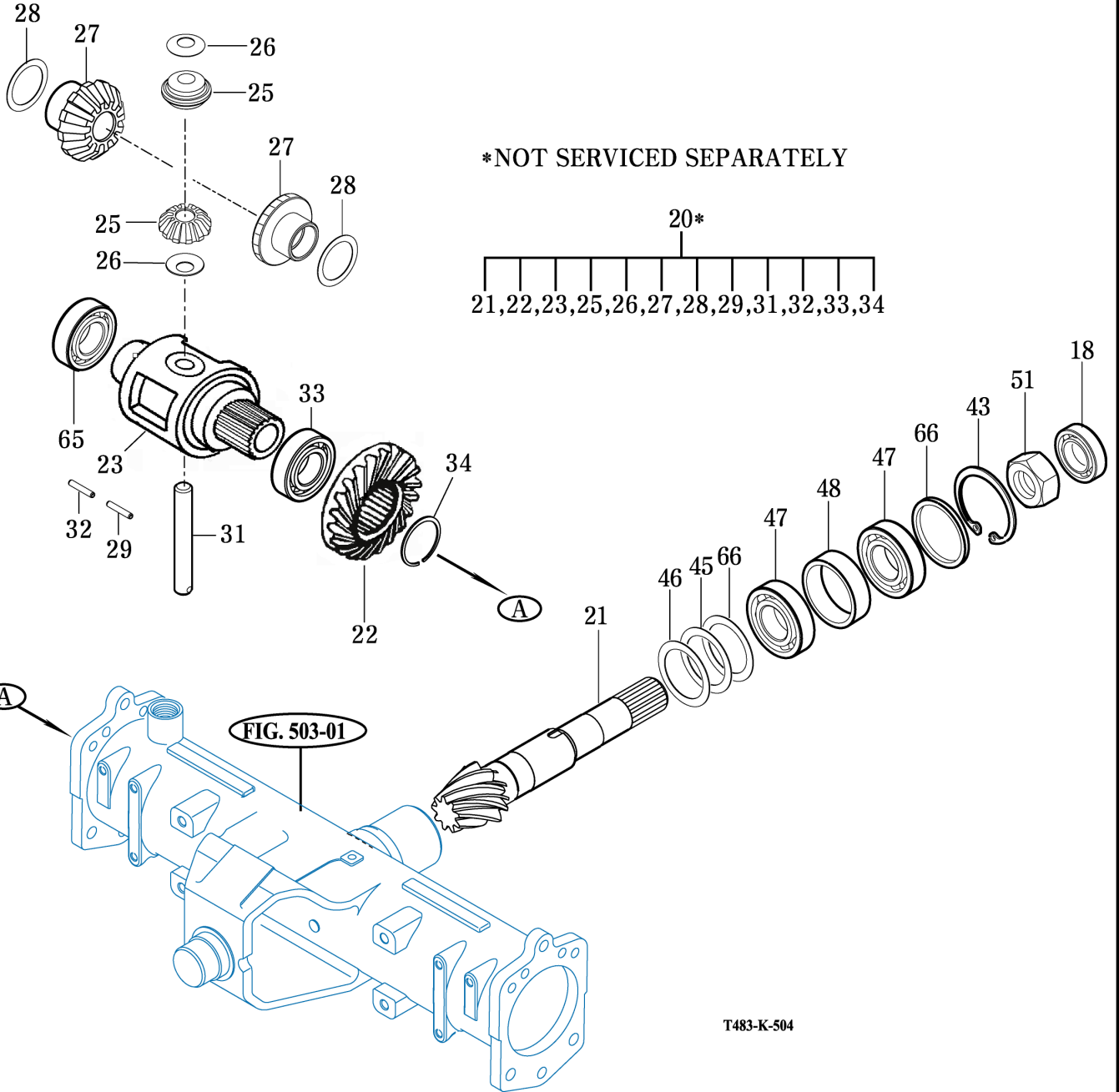
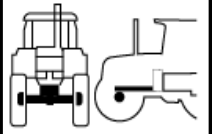
FRONT DIFFERENTIAL GEARS

T503SH / T433NH

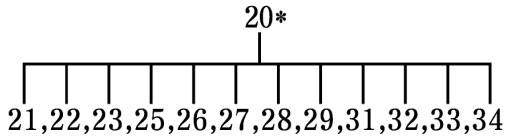
P1

Year / Month

2010 / 06



*NOT SERVICED SEPARATELY



T483-K-504

NOTE

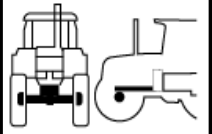
FIG 505

FRONT GEAR CASE (1)

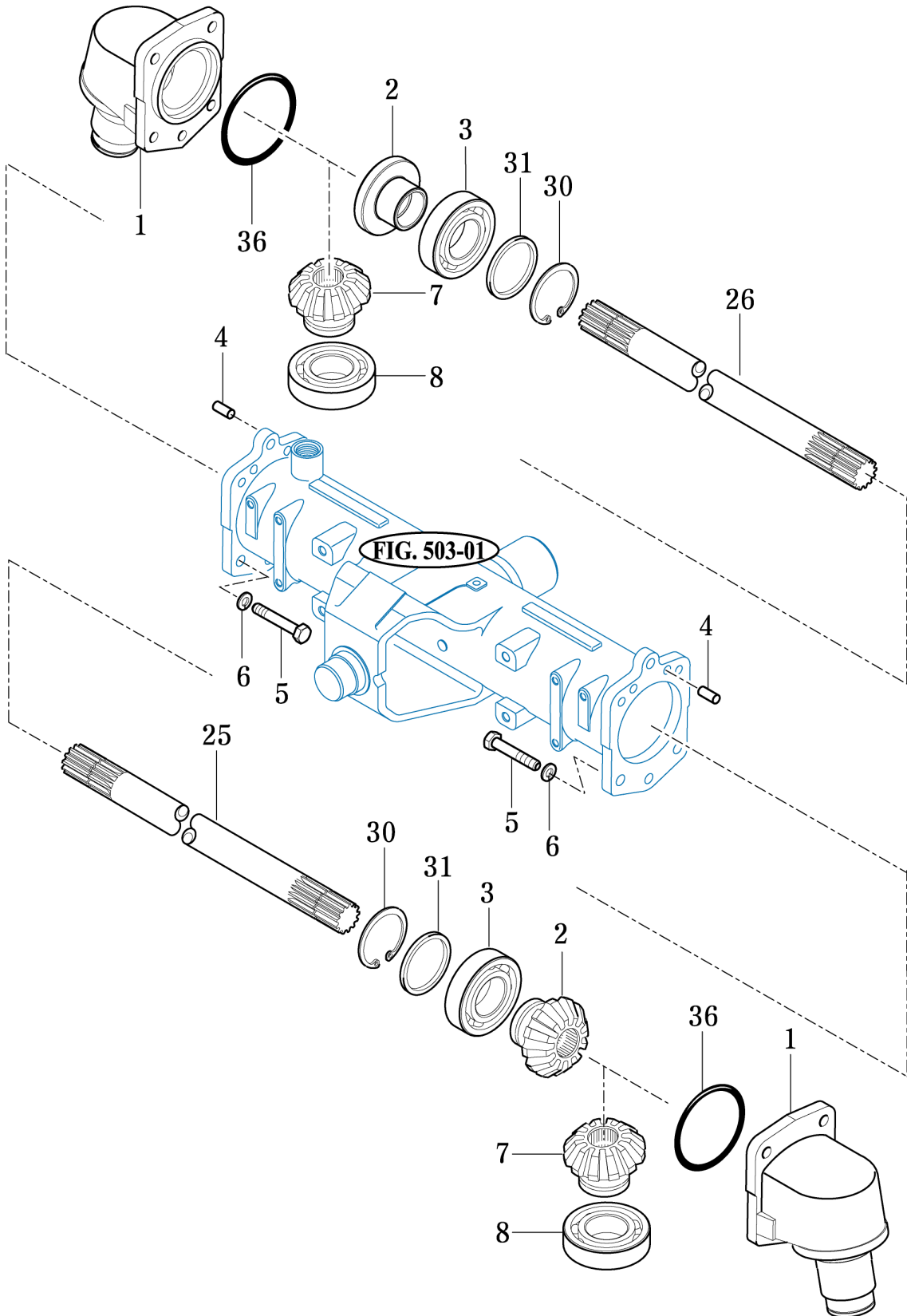
P1

Year / Month

2010 / 06



T503SH / T433NH



T483-k-505

NOTE

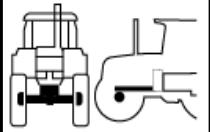
FIG 506

FRONT GEAR CASE (2)

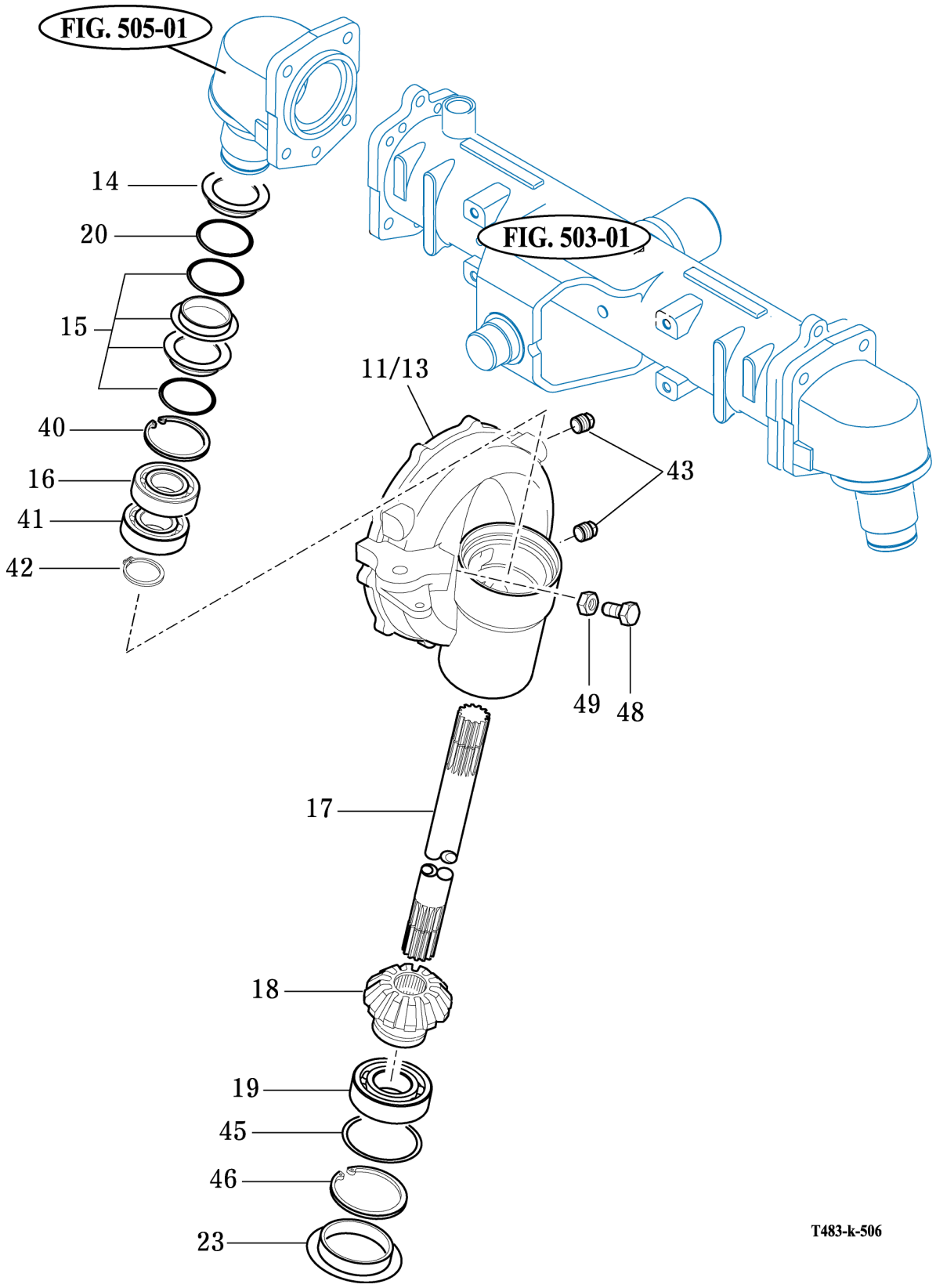
P1

Year / Month

2010 / 06



T503SH / T433NH



T483-k-506

NOTE

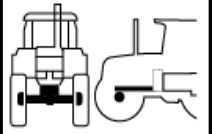
FIG 507

FRONT GEAR CASE (3)

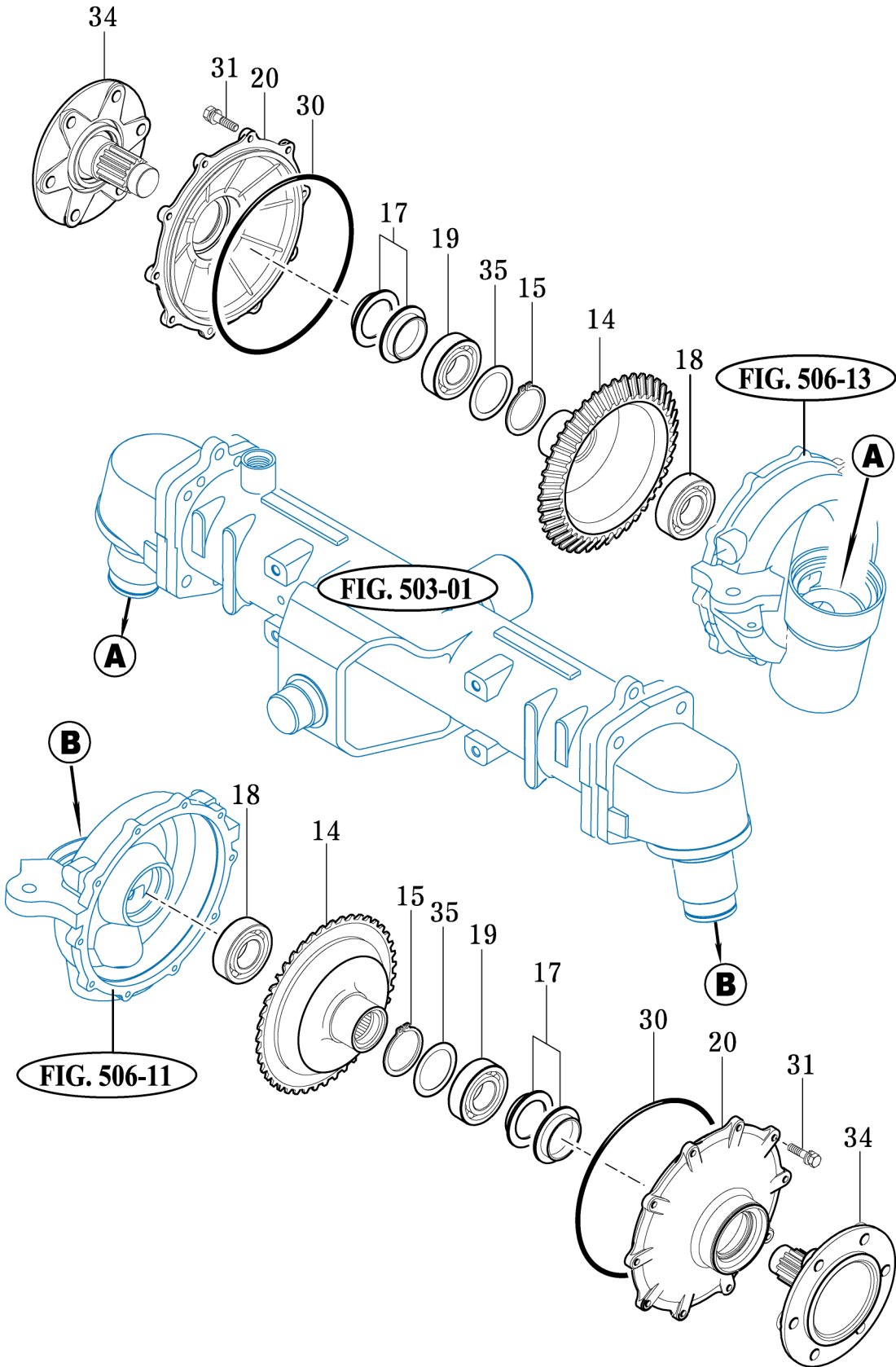
P1

Year / Month

2010 / 06



T503SH / T433NH



T483-k-507

NOTE