

FIG 601

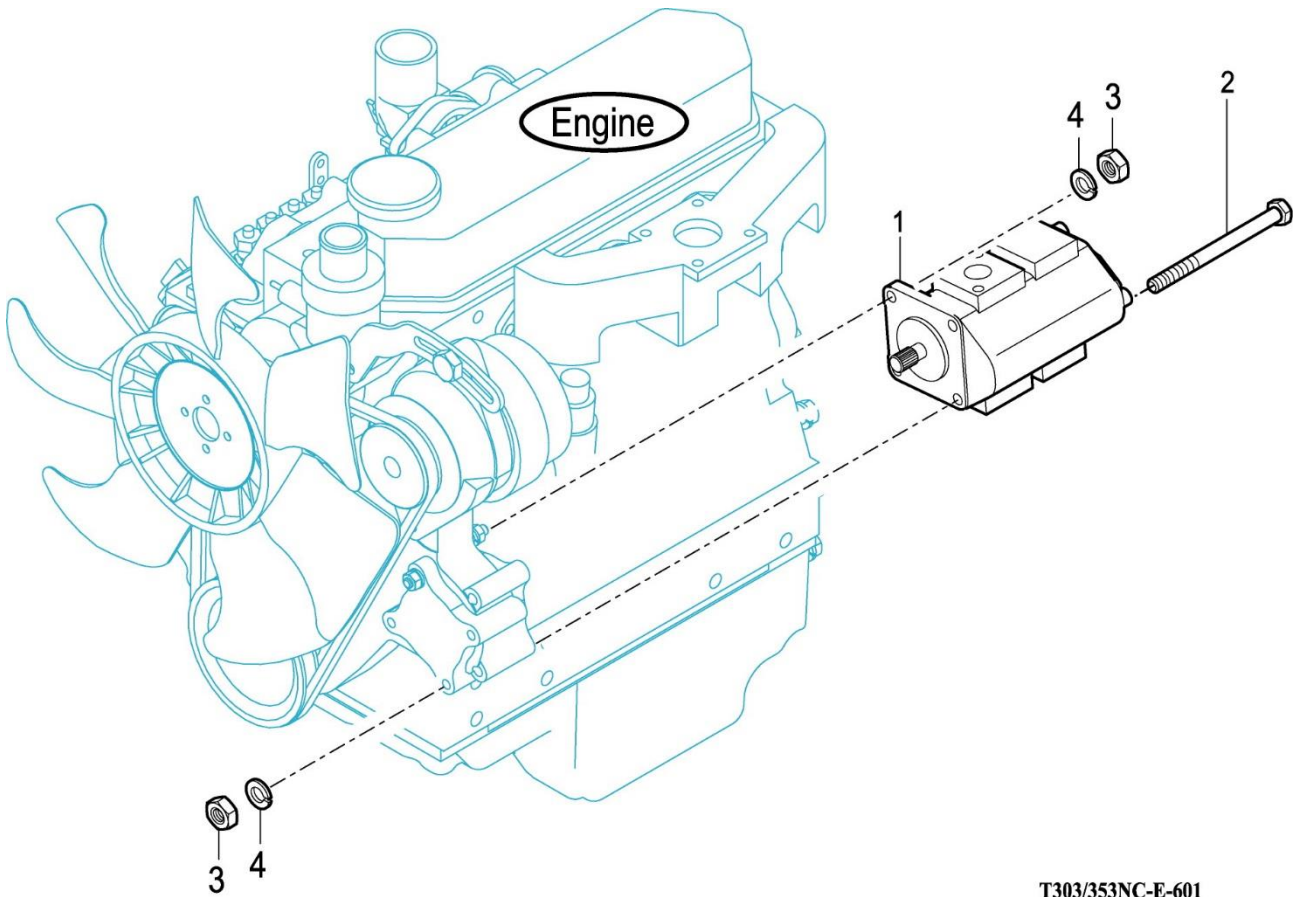
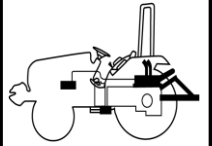
GEAR PUMP

T303/353NH

P1

Year / Month

2008 / 07



T303/353NC-E-601

NOTE

FIG 602

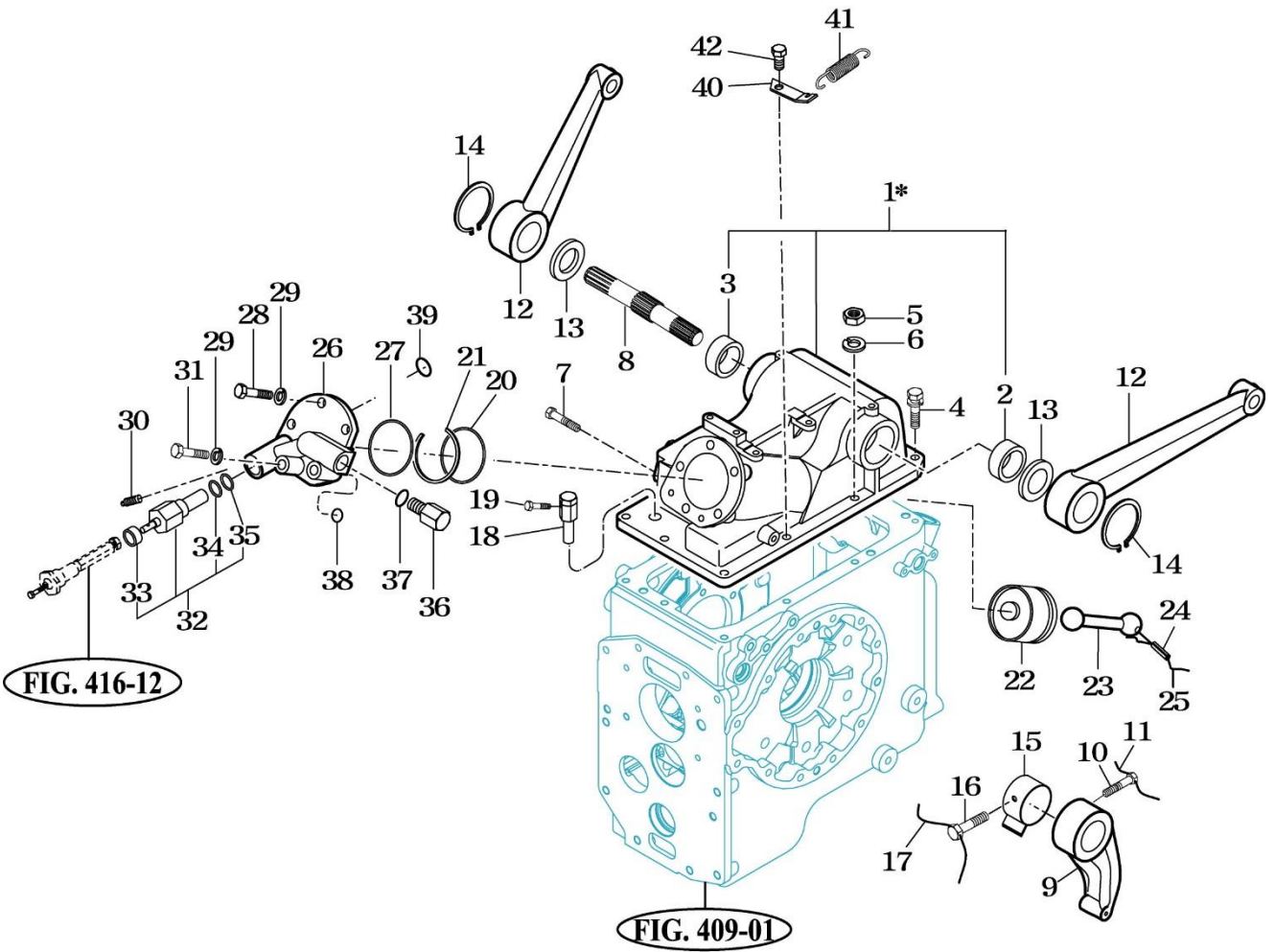
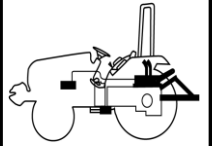
CYLINDER CASE & LIFT ARM

T303/353NH

P1

Year / Month

2008 / 07



\* NOT SERVICED SEPARATELY

T335/T331NHGBJ-E-602

NOTE

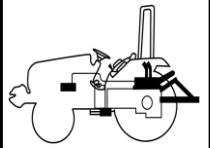
FIG 603

CONTROL VALVE LINKAGE

P1

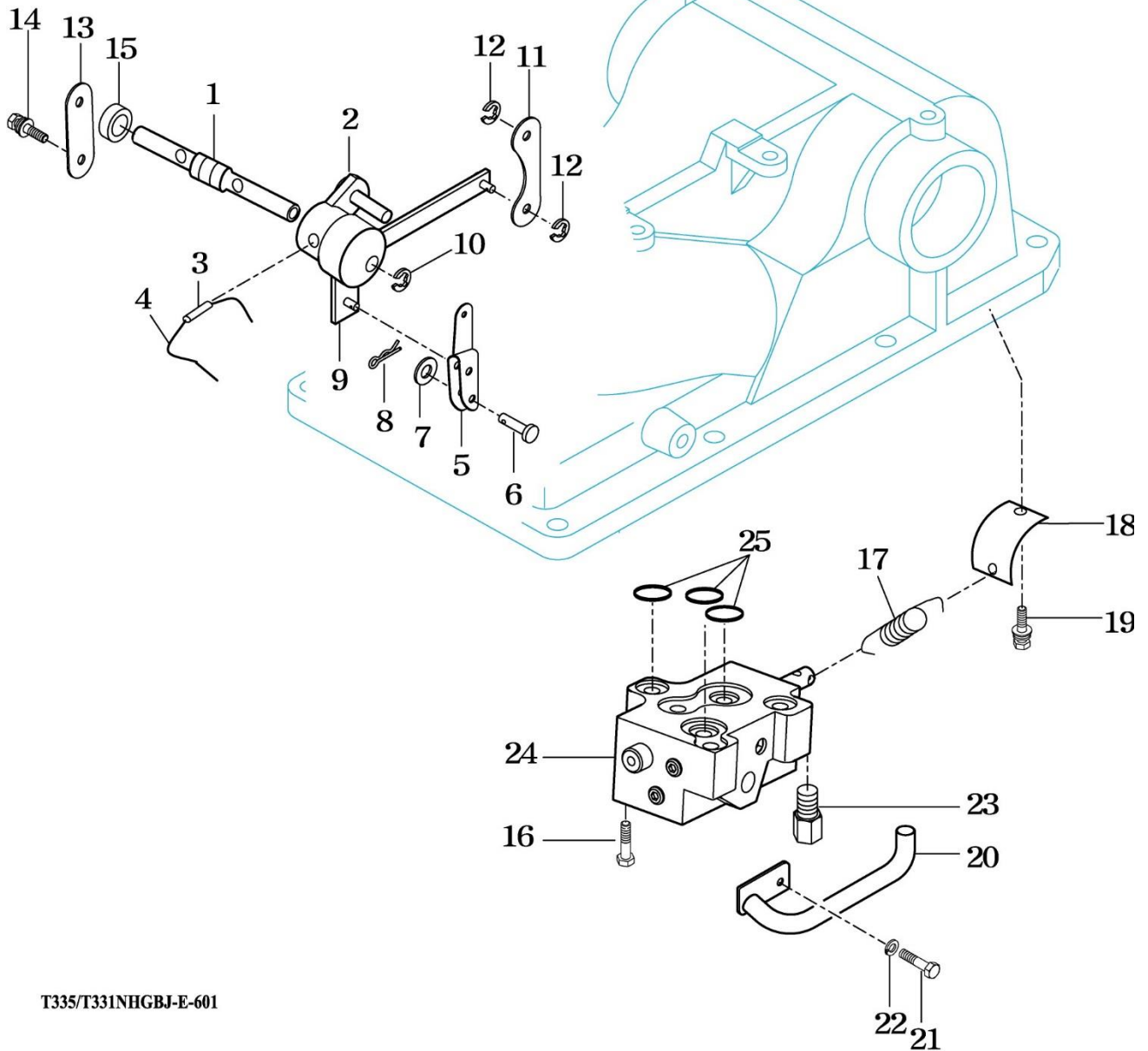
Year / Month

2008 / 07



T303/353NH

FIG. 602-01



T335/T331NHGBJ-E-601

NOTE

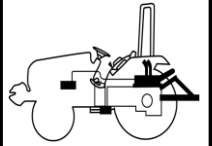
FIG 604

POSITION LEVER LINKAGE

P1

Year / Month

2008 / 07



T303/353NH

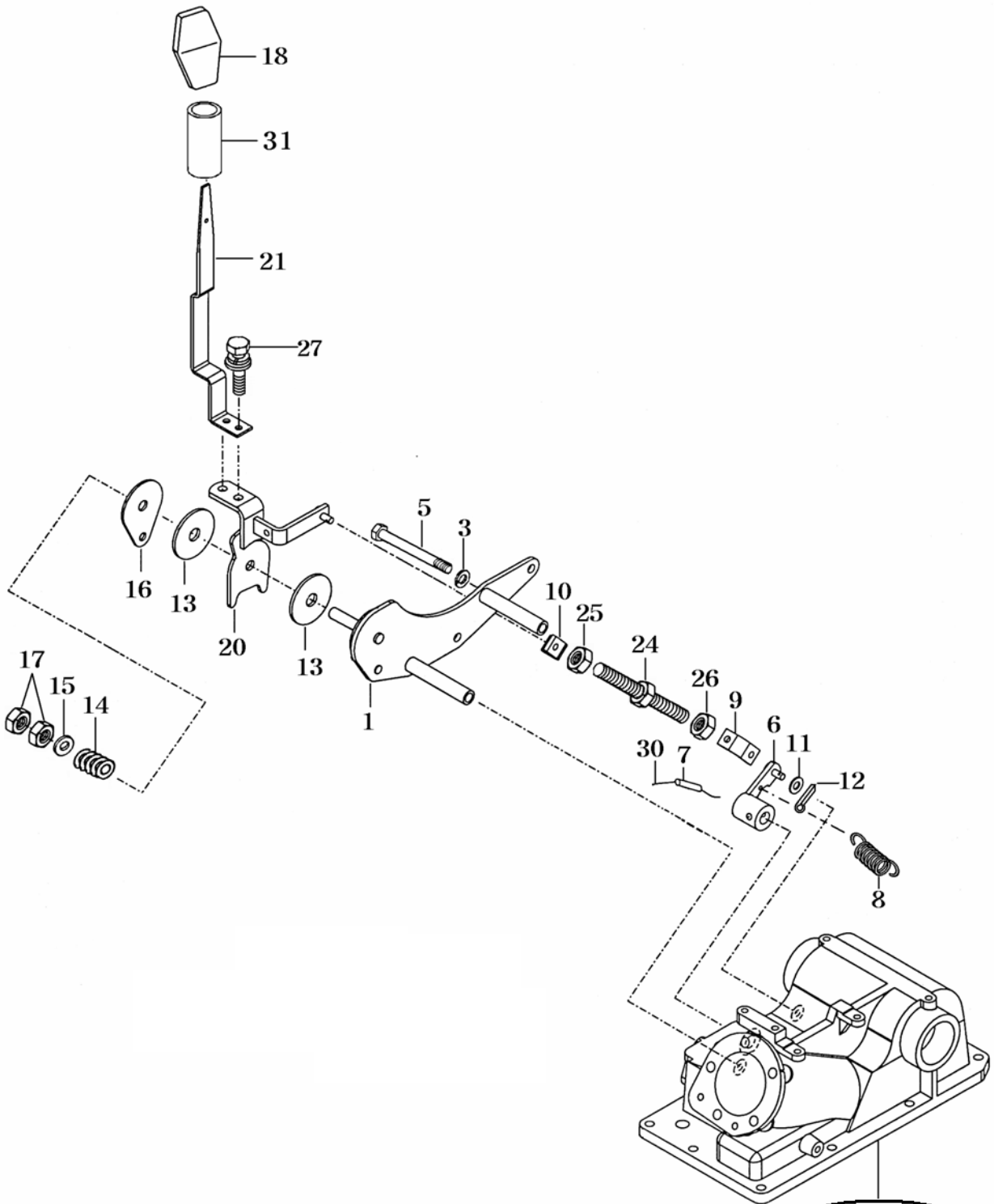


FIG.602-01

NOTE

FIG 605

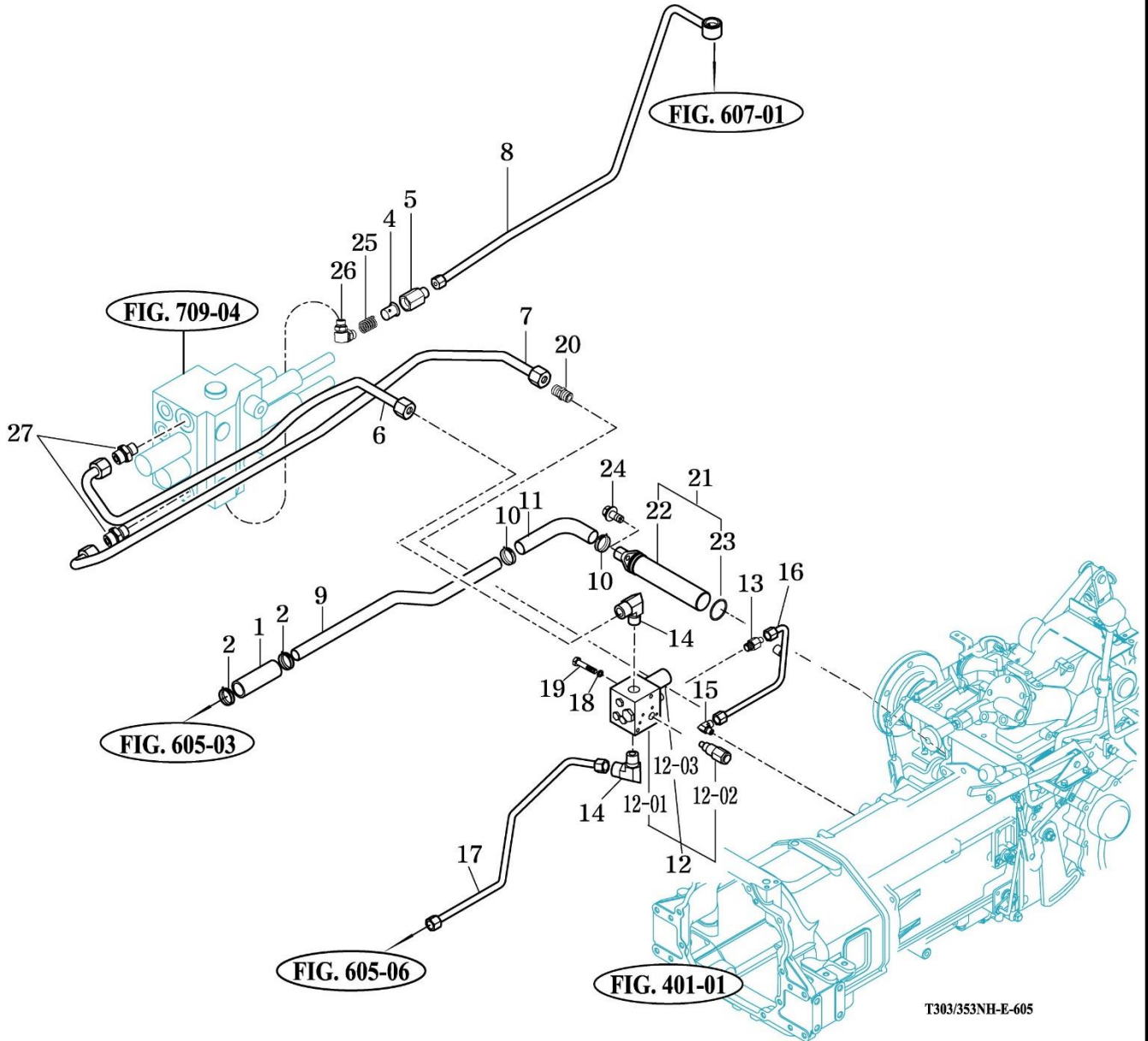
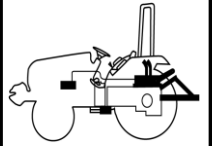
HYDRAULIC PIPE (1)

T303/353NH

P1

Year / Month

2008 / 07



T303/353NH-E-605

NOTE

FIG 605A

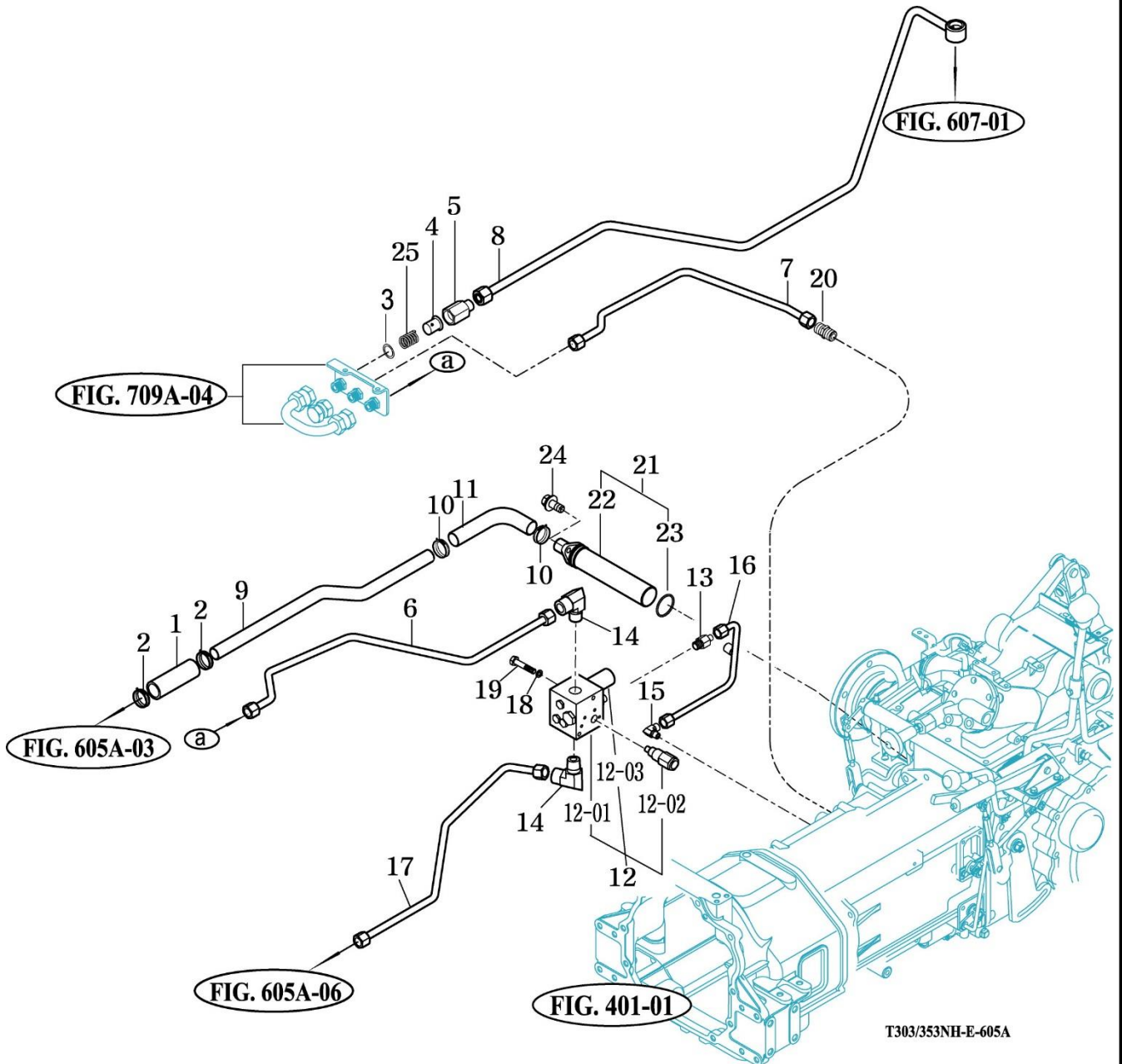
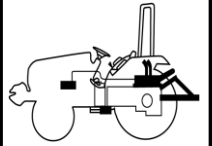
HYDRAULIC PIPE (1)

T303/353NH

P1

Year / Month

2008 / 07



T303/353NH-E-605A

NOTE

FIG 606

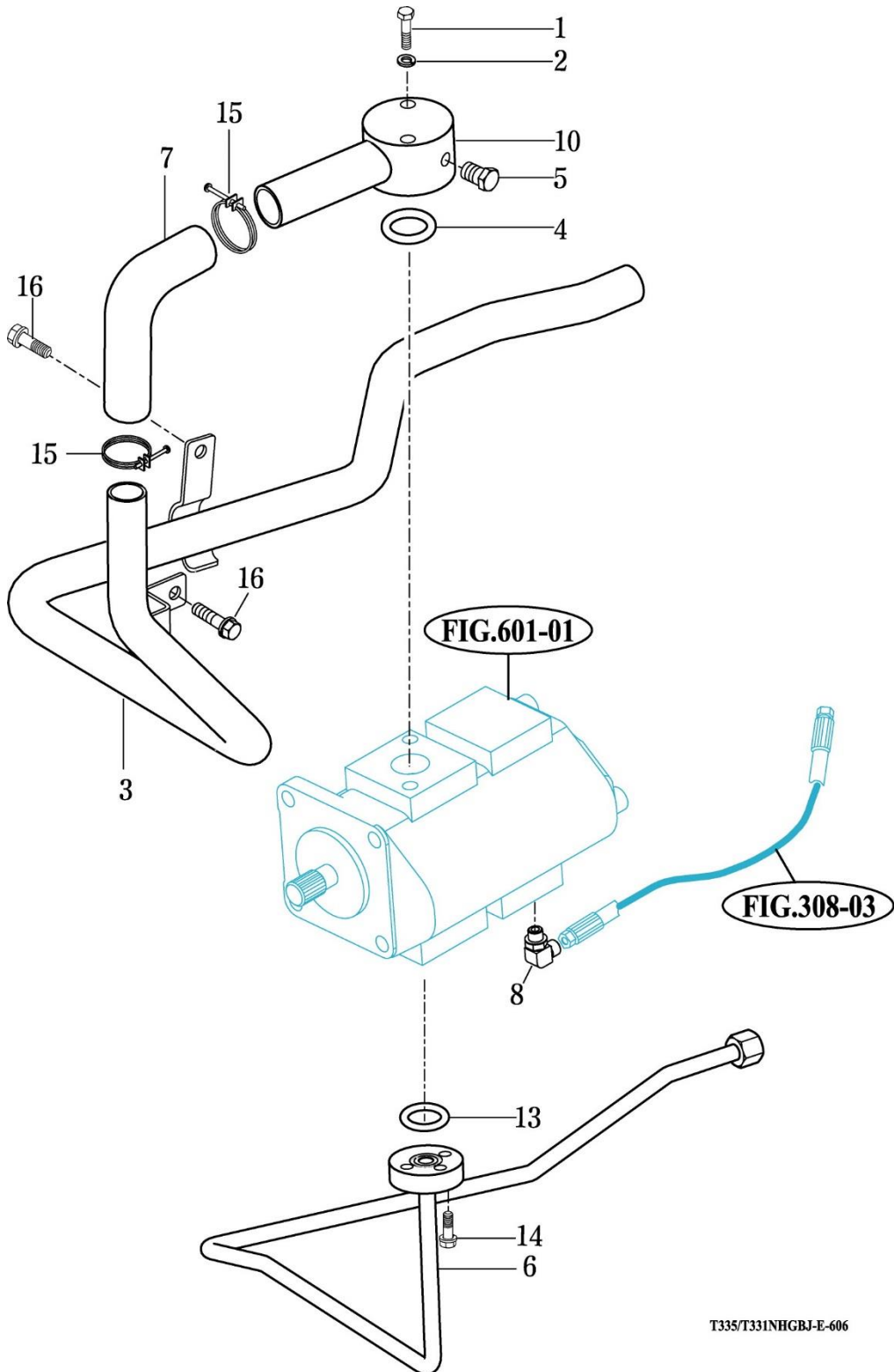
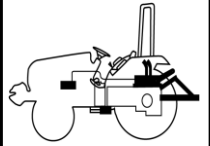
HYDRAULIC PIPE (2)

T303/353NH

P1

Year / Month

2008 / 07



T335/T331NHGBJ-E-606

NOTE

FIG 607

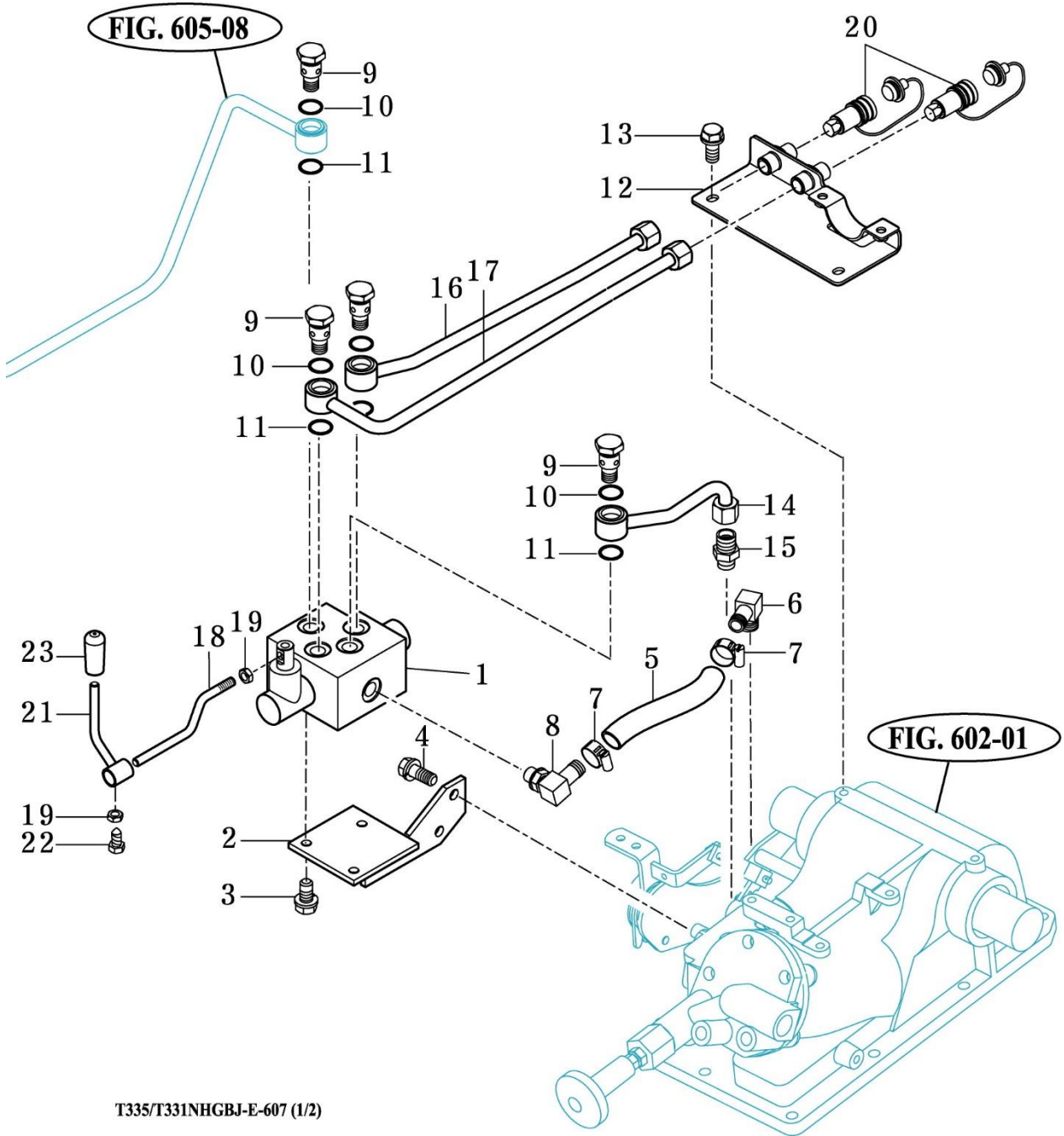
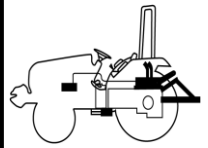
EXTERIOR HYD.VALVE

T303/353NH

P1

Year / Month

2008 / 07



T335/T331NHGBJ-E-607 (1/2)

NOTE



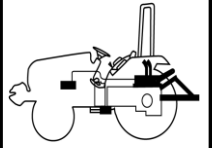
FIG 608

# HITCH & 3-POINT LINKAGE

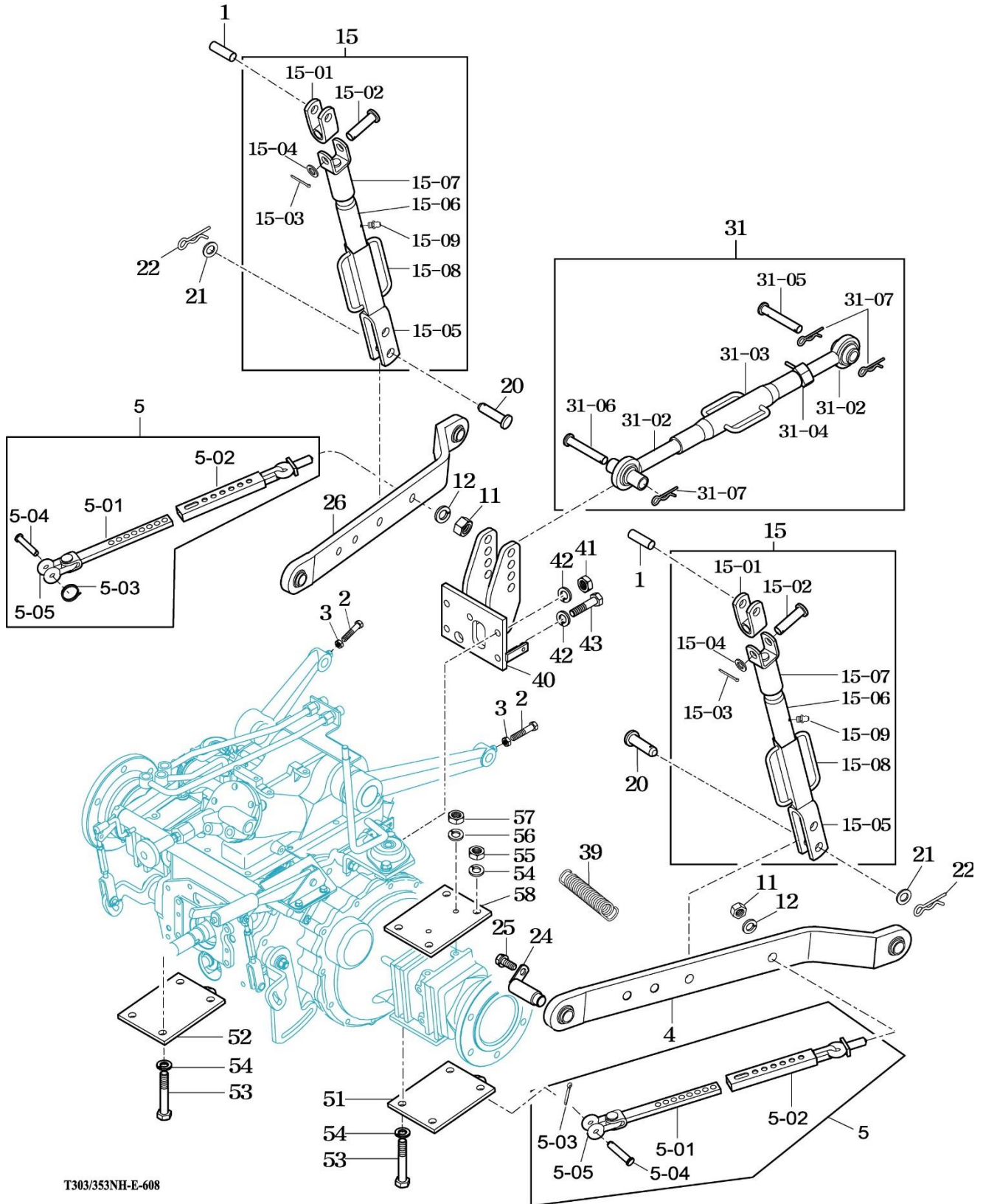
P2

Year / Month

2008 / 07



T303/353NH



T303/353NH-E-608

NOTE

FIG 608

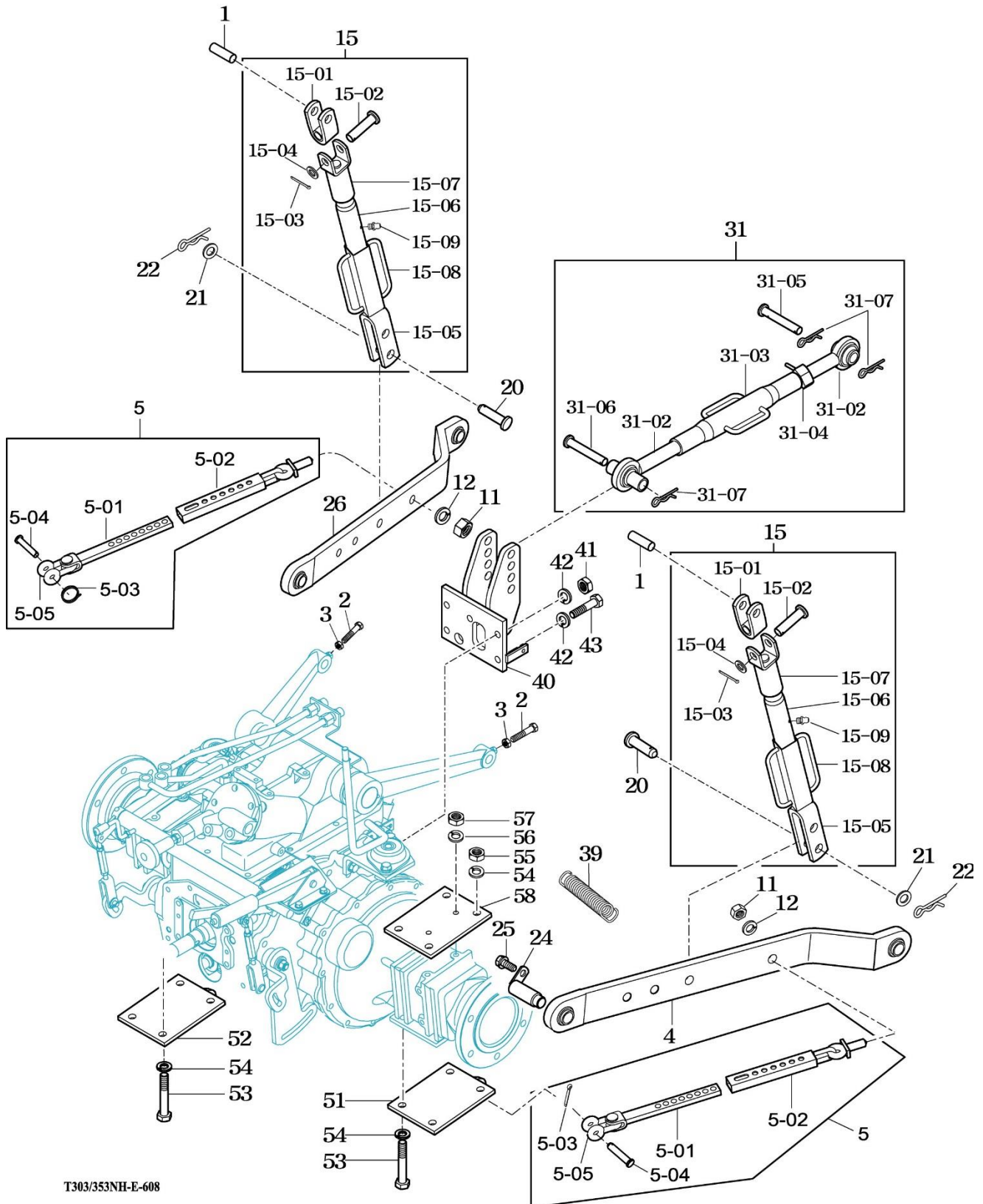
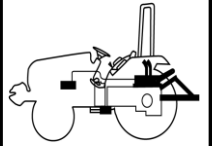
# HITCH & 3-POINT LINKAGE

T303/353NH

P1

Year / Month

2008 / 07



T303/353NH-E-608

NOTE

FIG 609

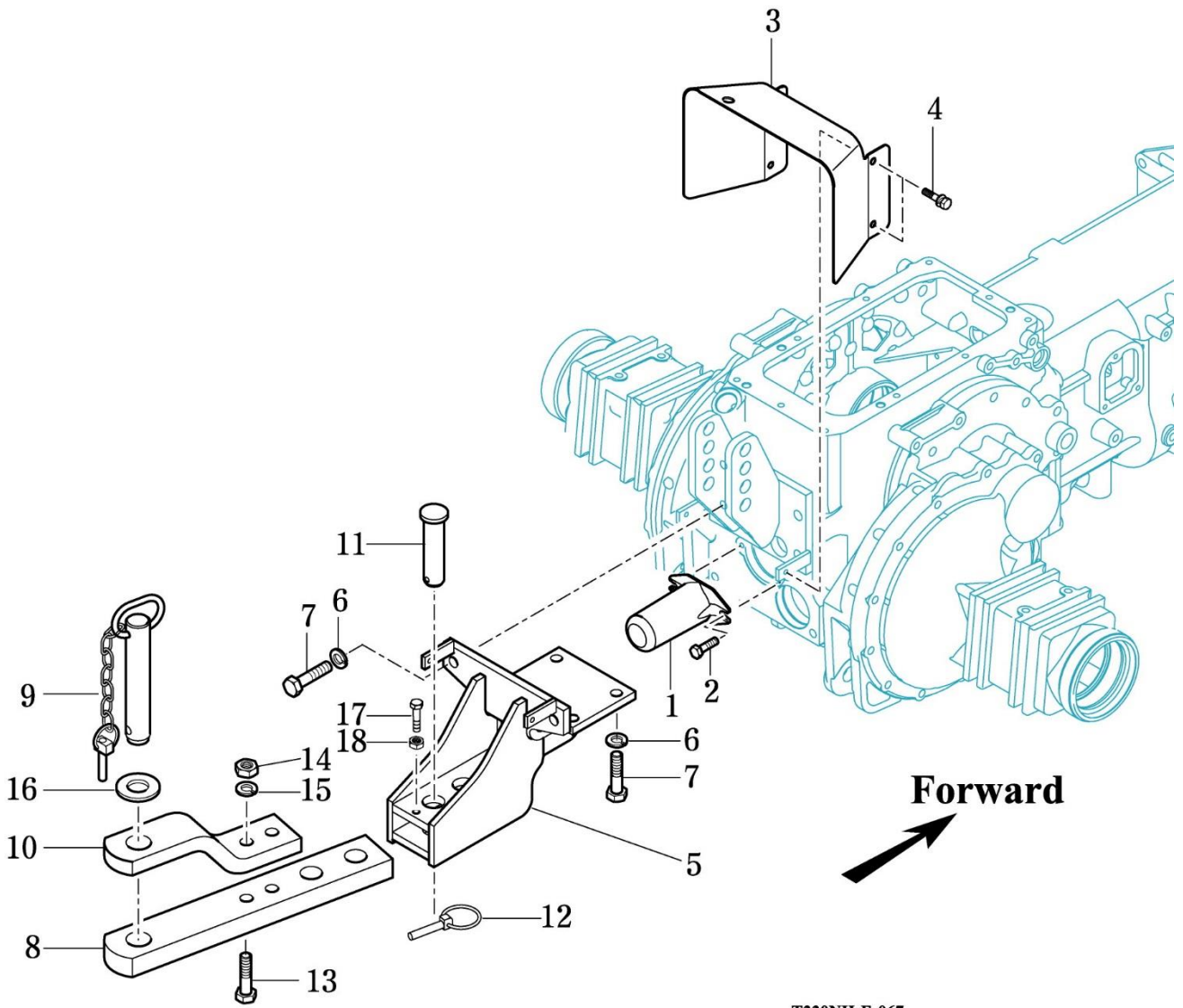
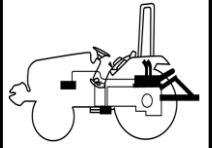
# HITCH & COVER

T303/353NH

P1

Year / Month

2008 / 07



T330NH-E-067

NOTE

FIG 609A

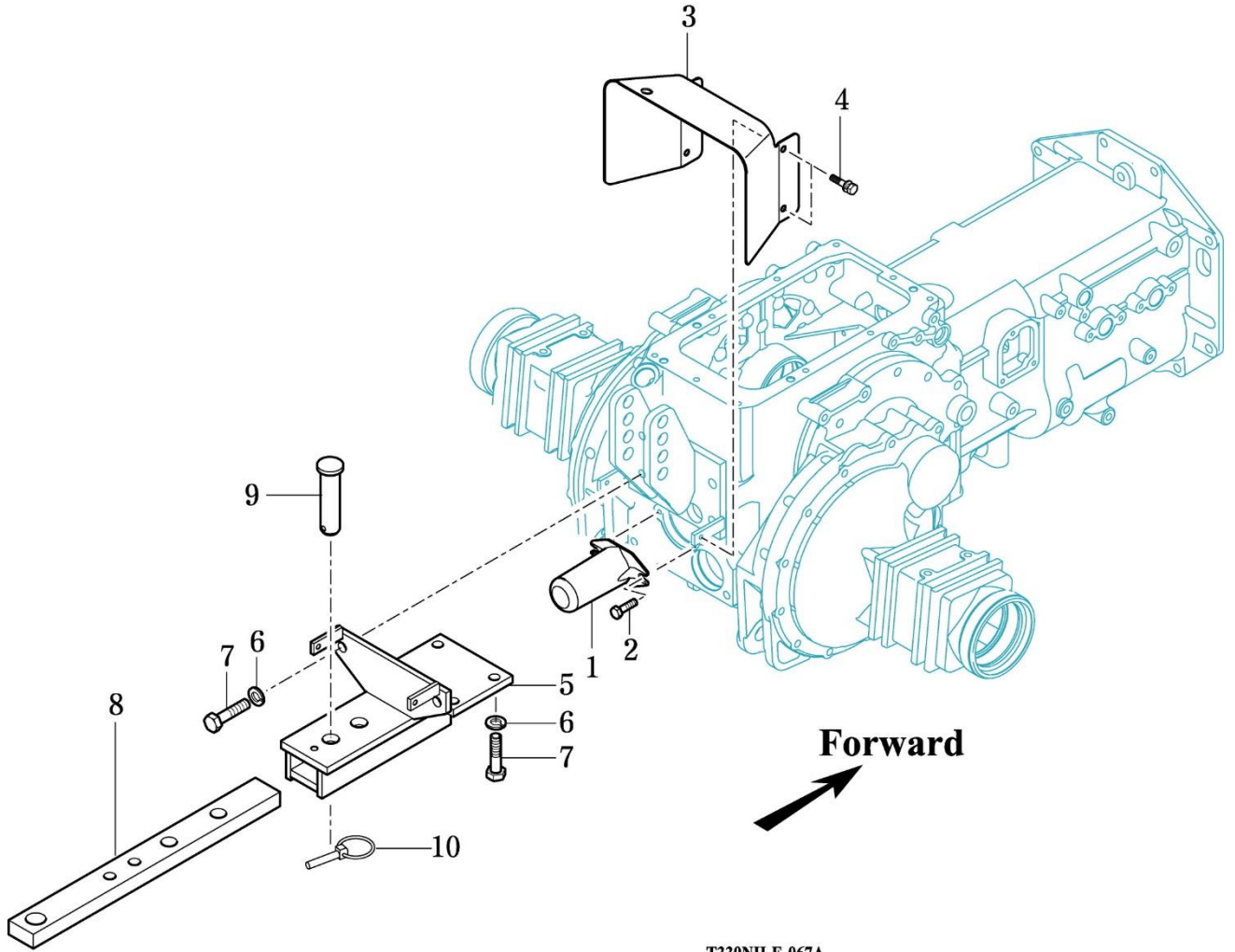
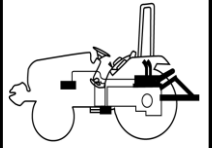
# HITCH & COVER

T303/353NH

P1

Year / Month

2008 / 07



T330NH-E-067A

NOTE