

FIG 301

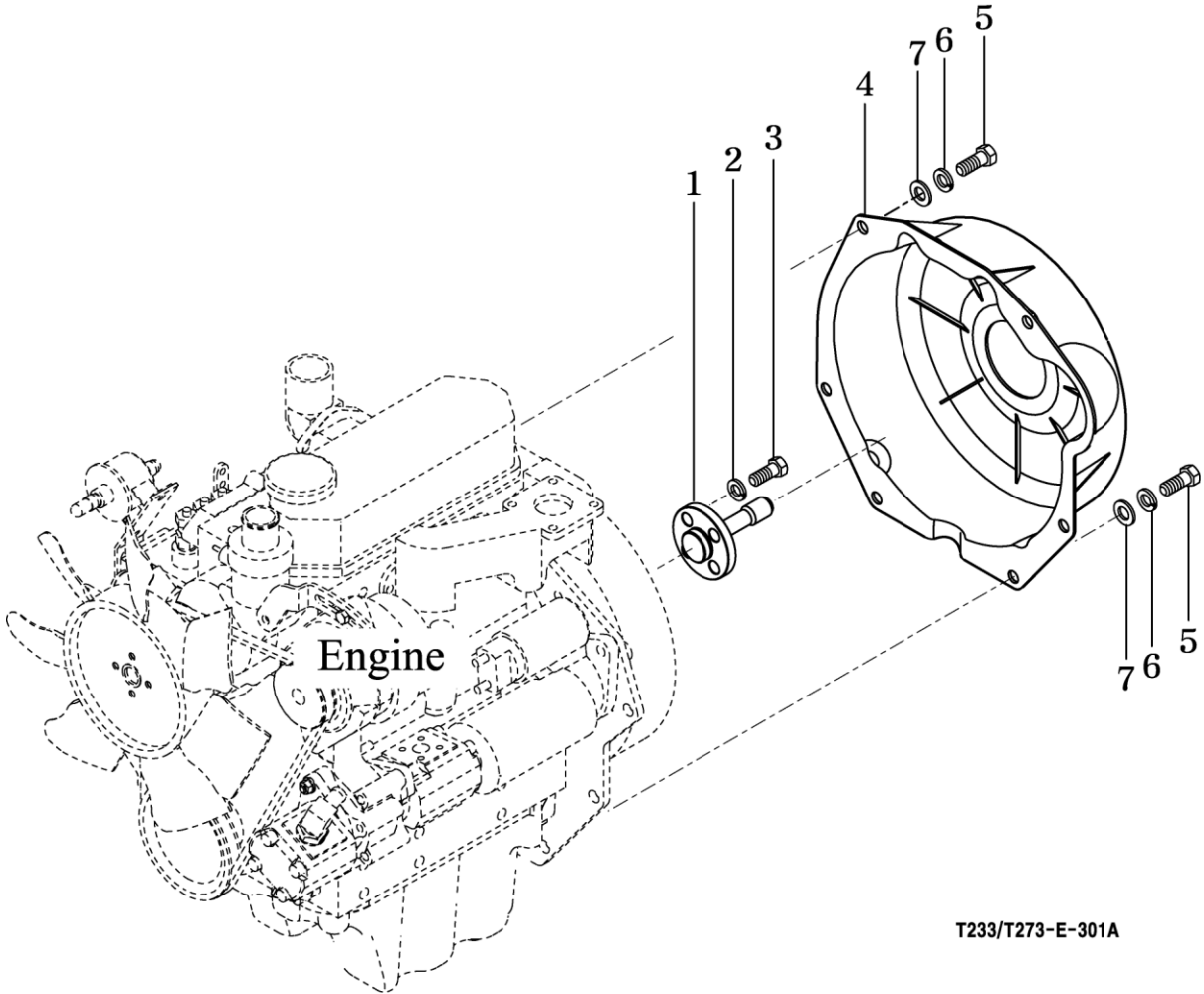
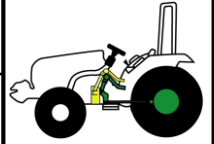
FLYWHEEL COVER

T233 / T273

P1

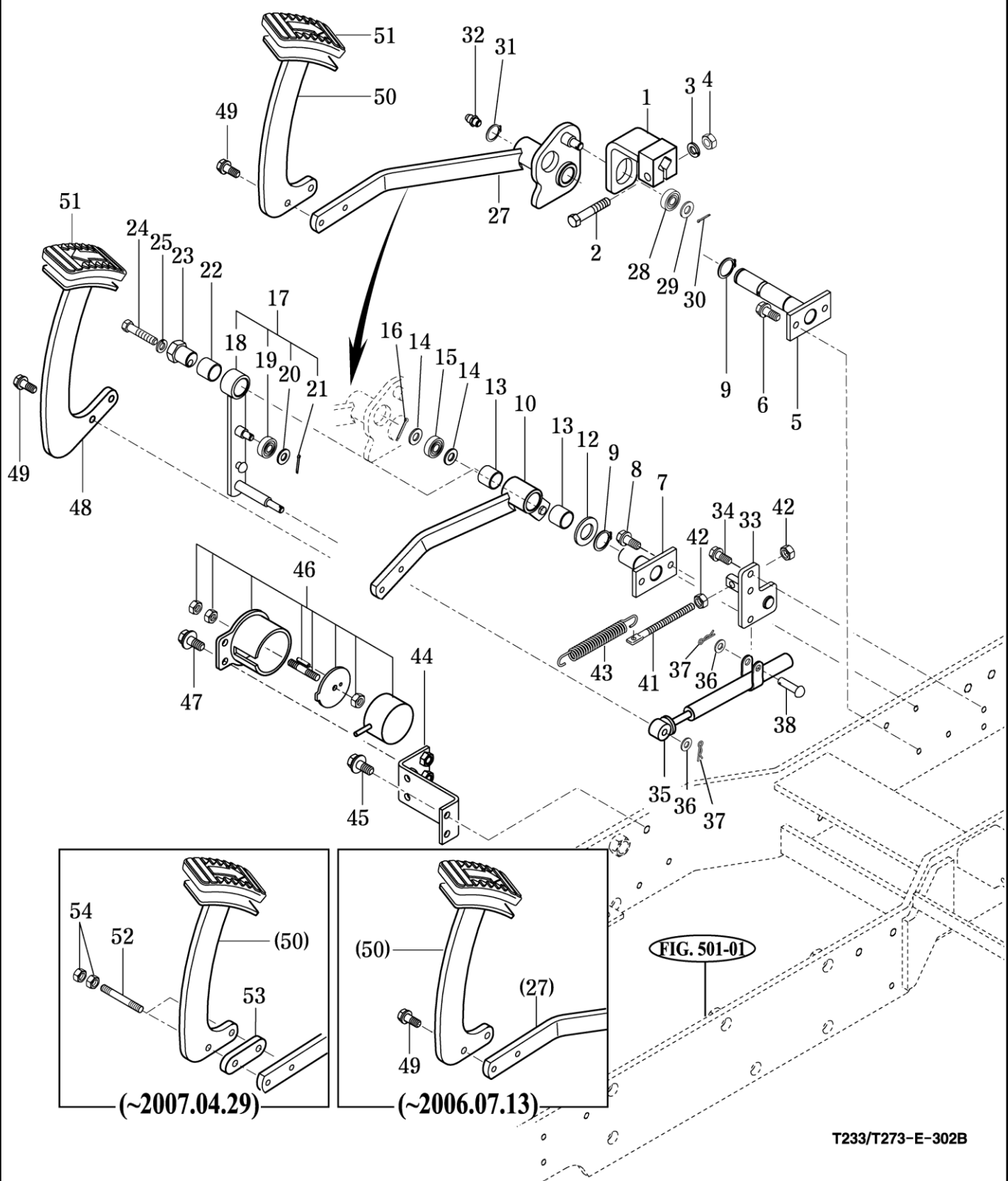
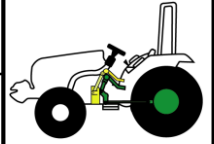
Year / Month

2007 / 11



T233/T273-E-301A

NOTE

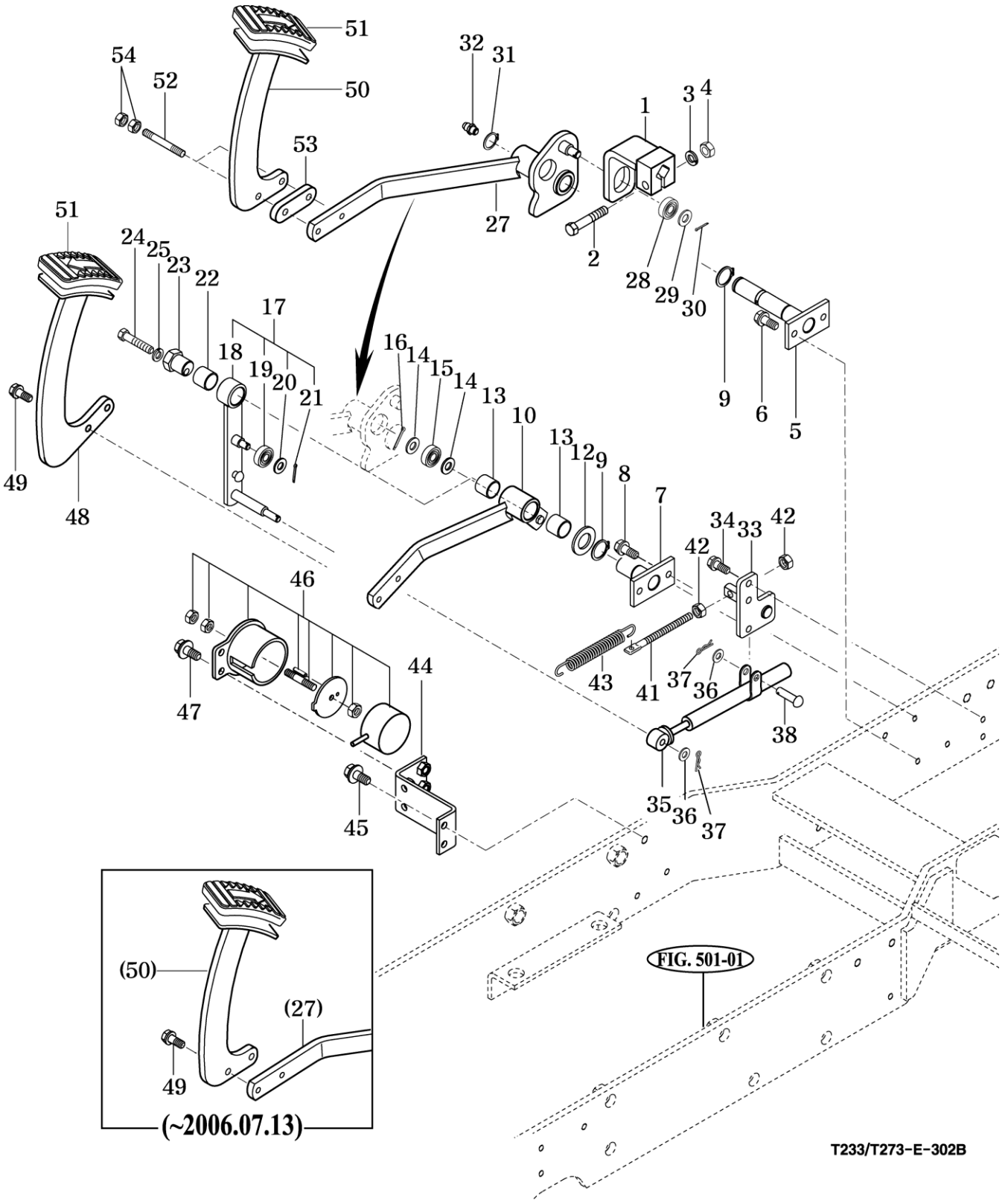
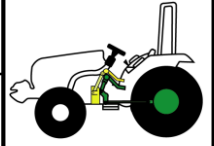


(~2007.04.29)

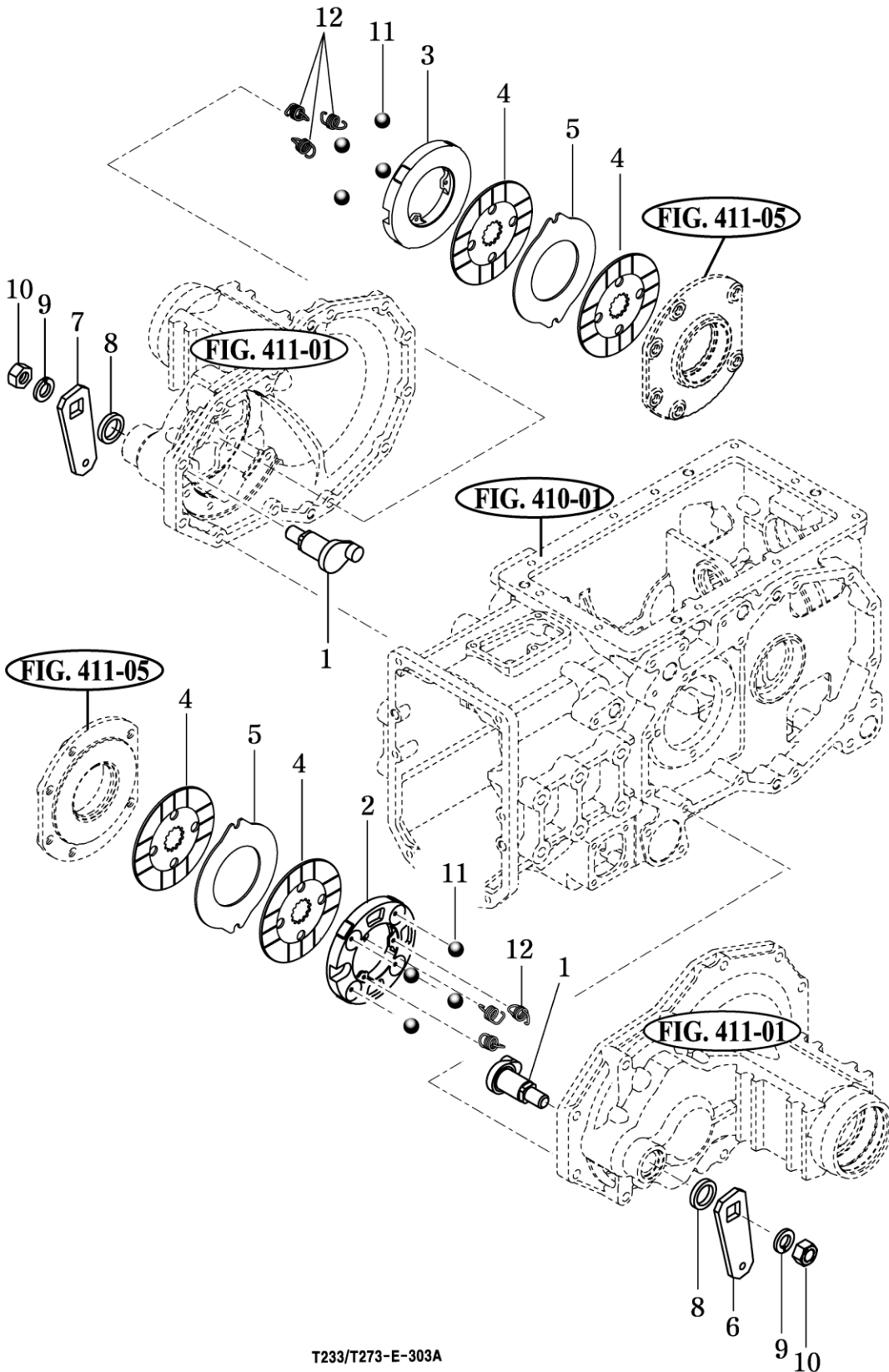
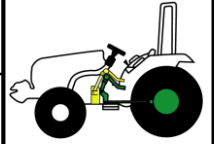
(~2006.07.13)

FIG. 501-01

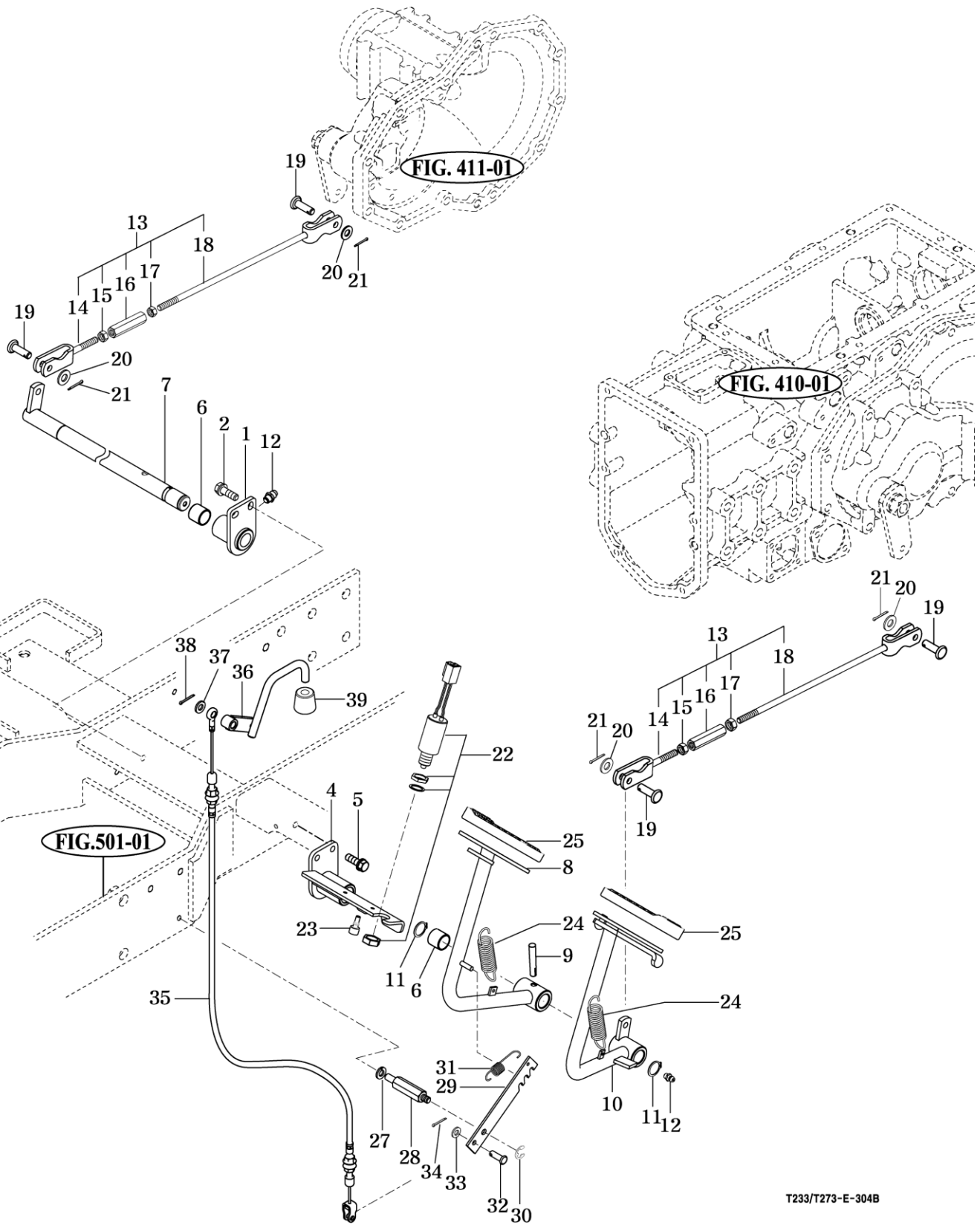
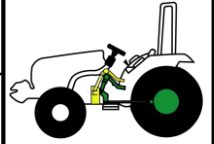
NOTE



NOTE



NOTE



T233/T273-E-304B

NOTE

FIG 305

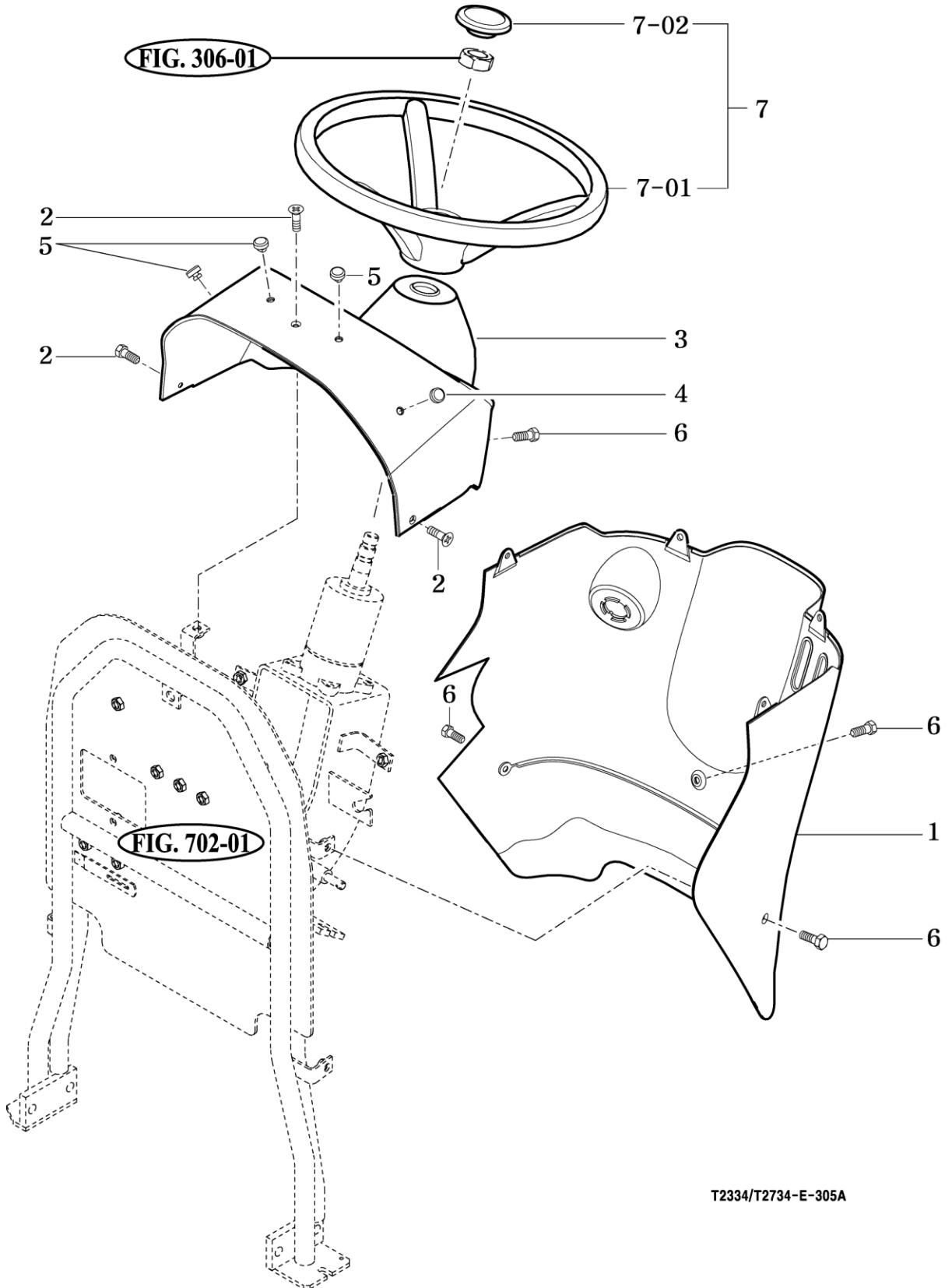
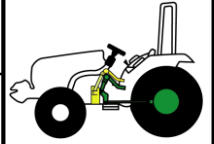
STEERING WHEEL & DASH COVER

T233 / T273

P1

Year / Month

2007 / 11



T2334/T2734-E-305A

NOTE

FIG 306

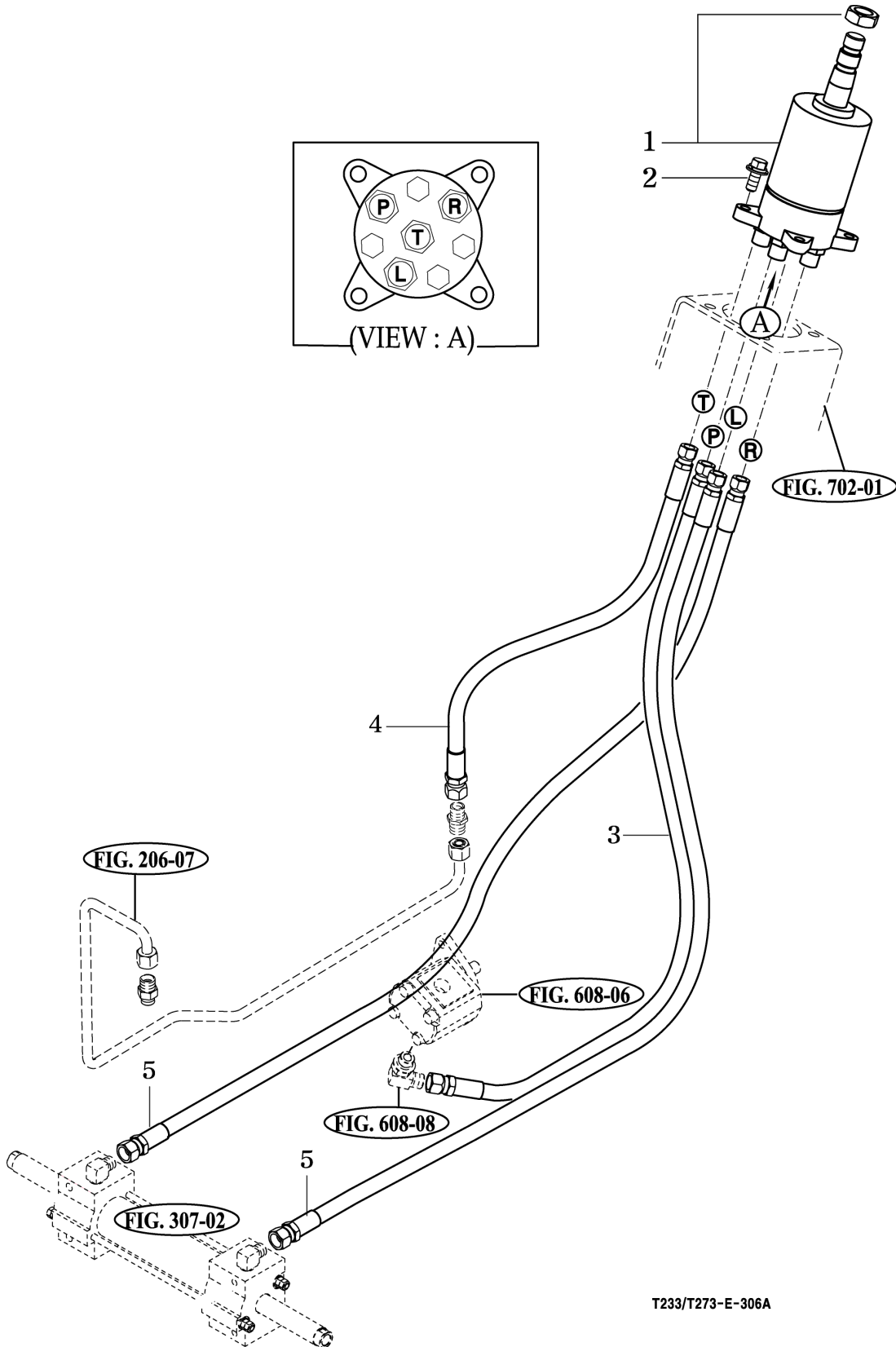
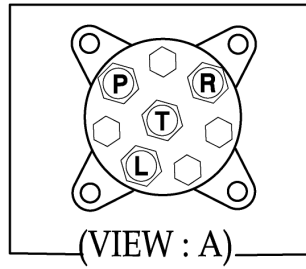
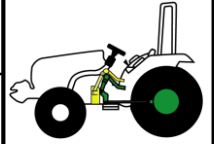
T233 / T273

# STEERING VALVE

P1

Year / Month

2007 / 11



T233/T273-E-306A

NOTE

# FIG 307

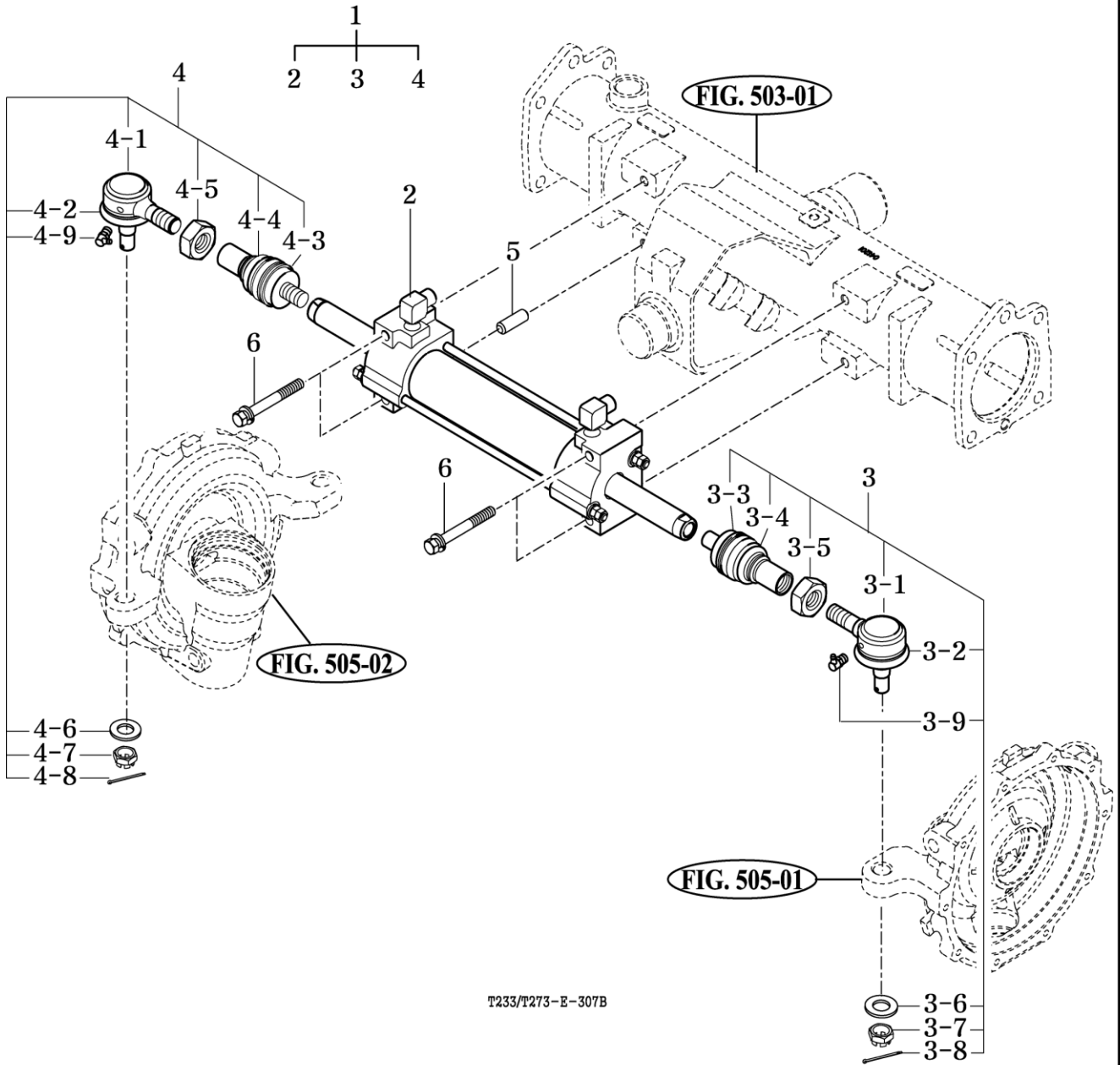
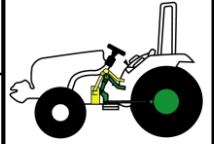
# STEERING CYLINDER

T233 / T273

P1

Year / Month

2007 / 11



T233/T273-E-307B

NOTE



FIG 308

FRONT WHEEL

T233 / T273

P1

Year / Month

2007 / 11

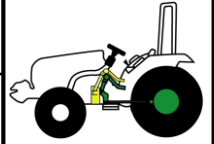
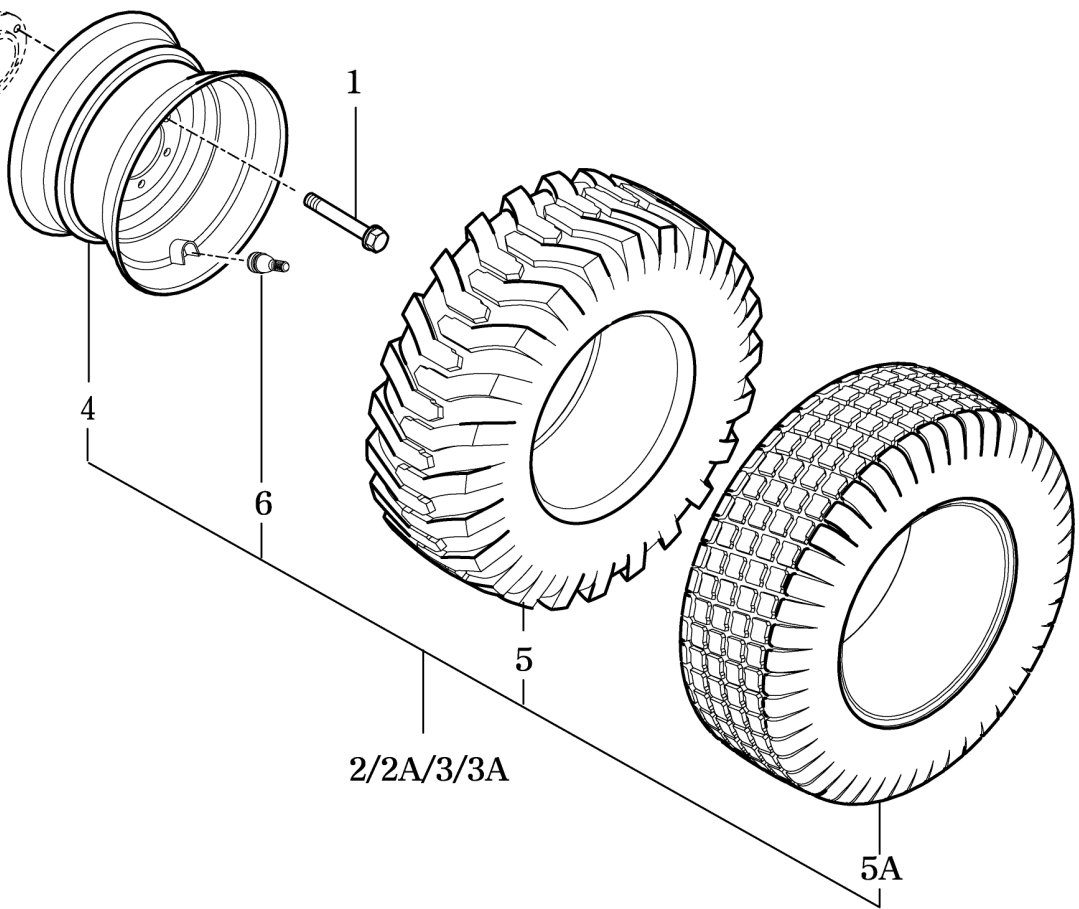


FIG. 505-19



323/327-E-308A

NOTE

FIG 309

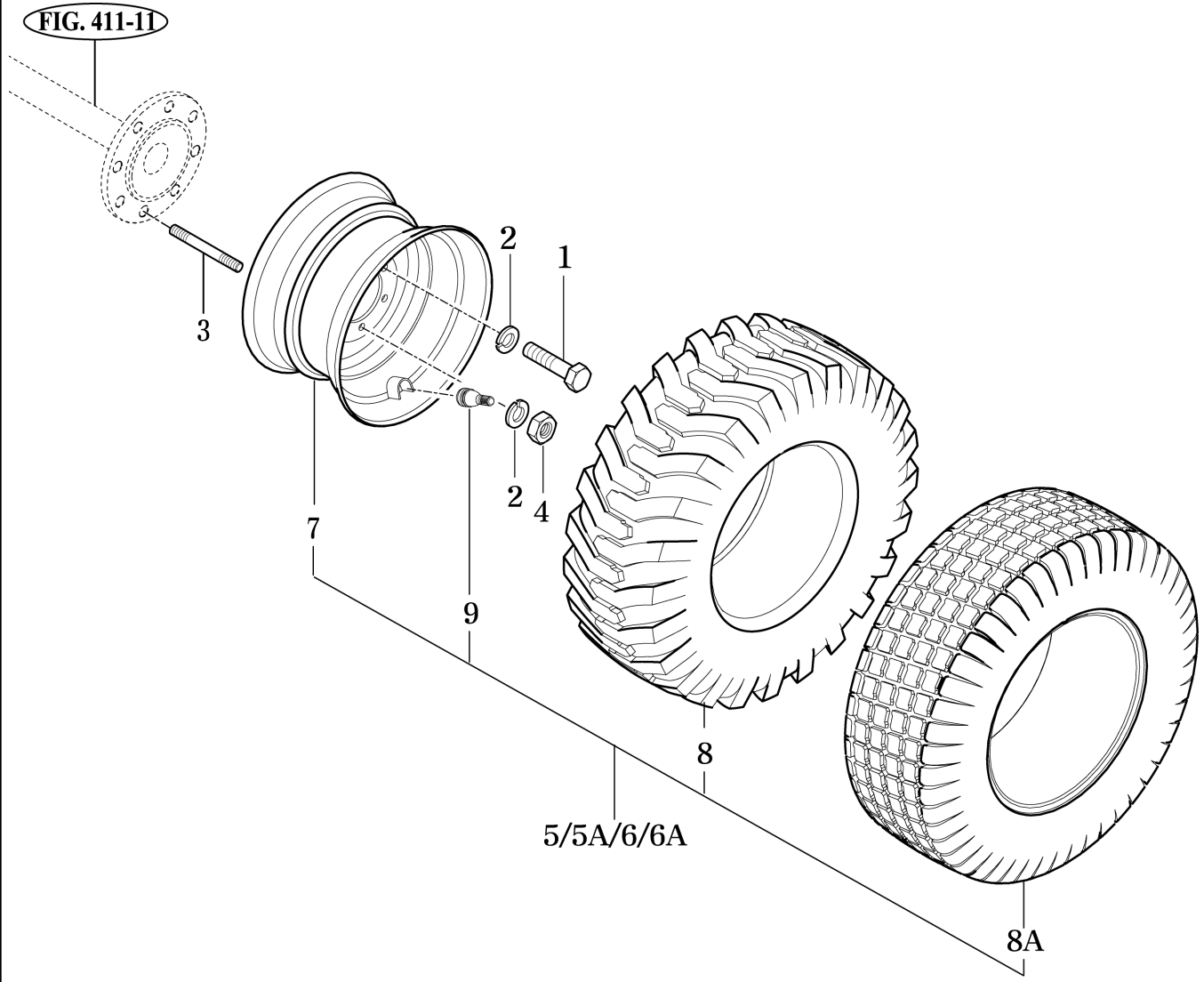
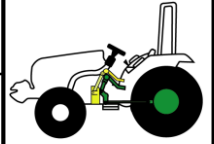
REAR WHEEL

T233 / T273

P1

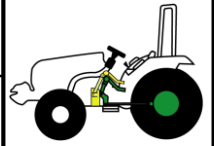
Year / Month

2007 / 11

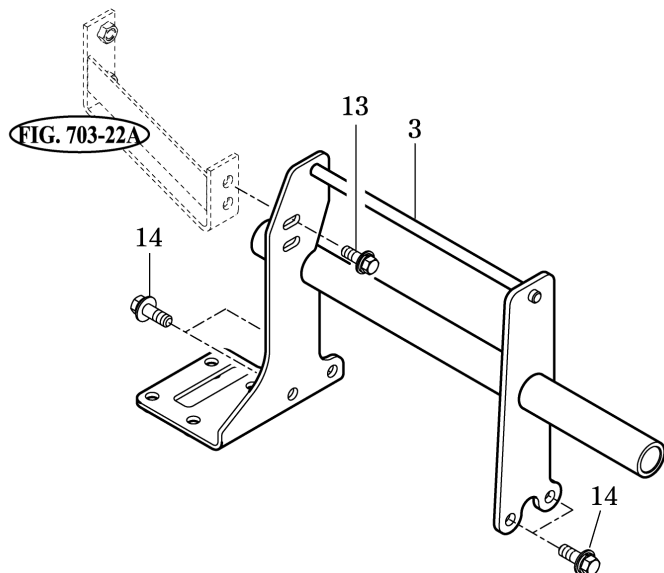
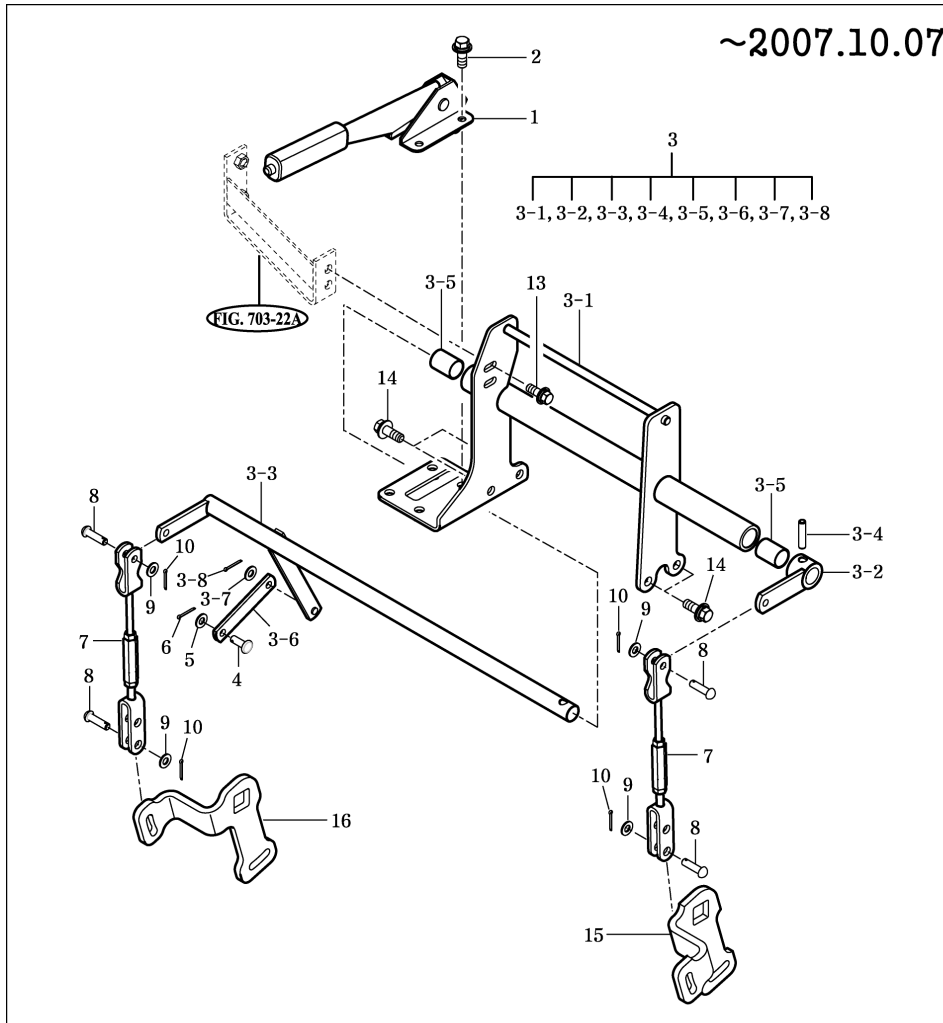


323/327-E-309A

NOTE



~2007.10.07



T233/T273-E-310

NOTE