

FIG 401

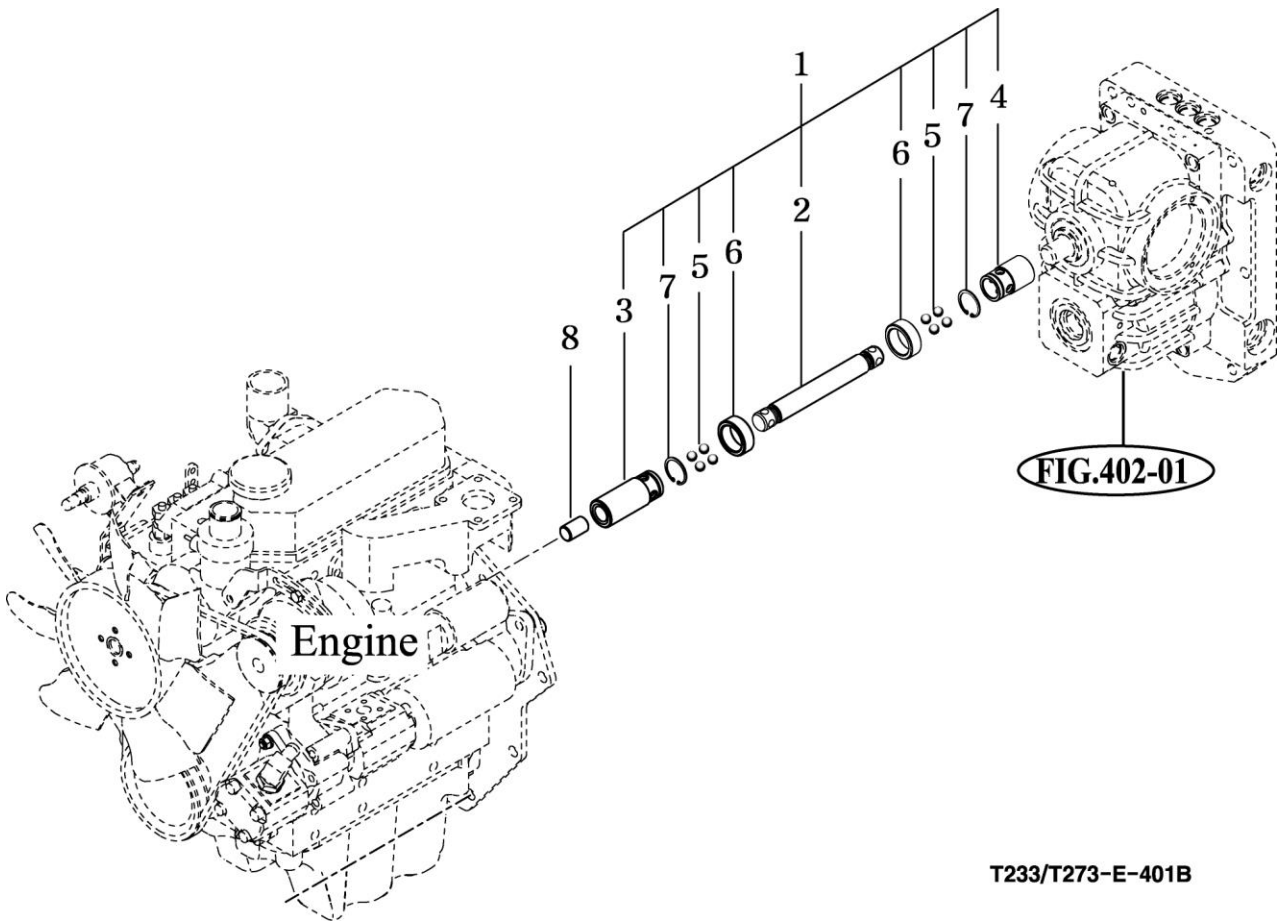
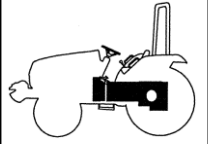
T233 / T273

INPUT SHAFT

P1

Year / Month

2007 /11



NOTE

FIG 402

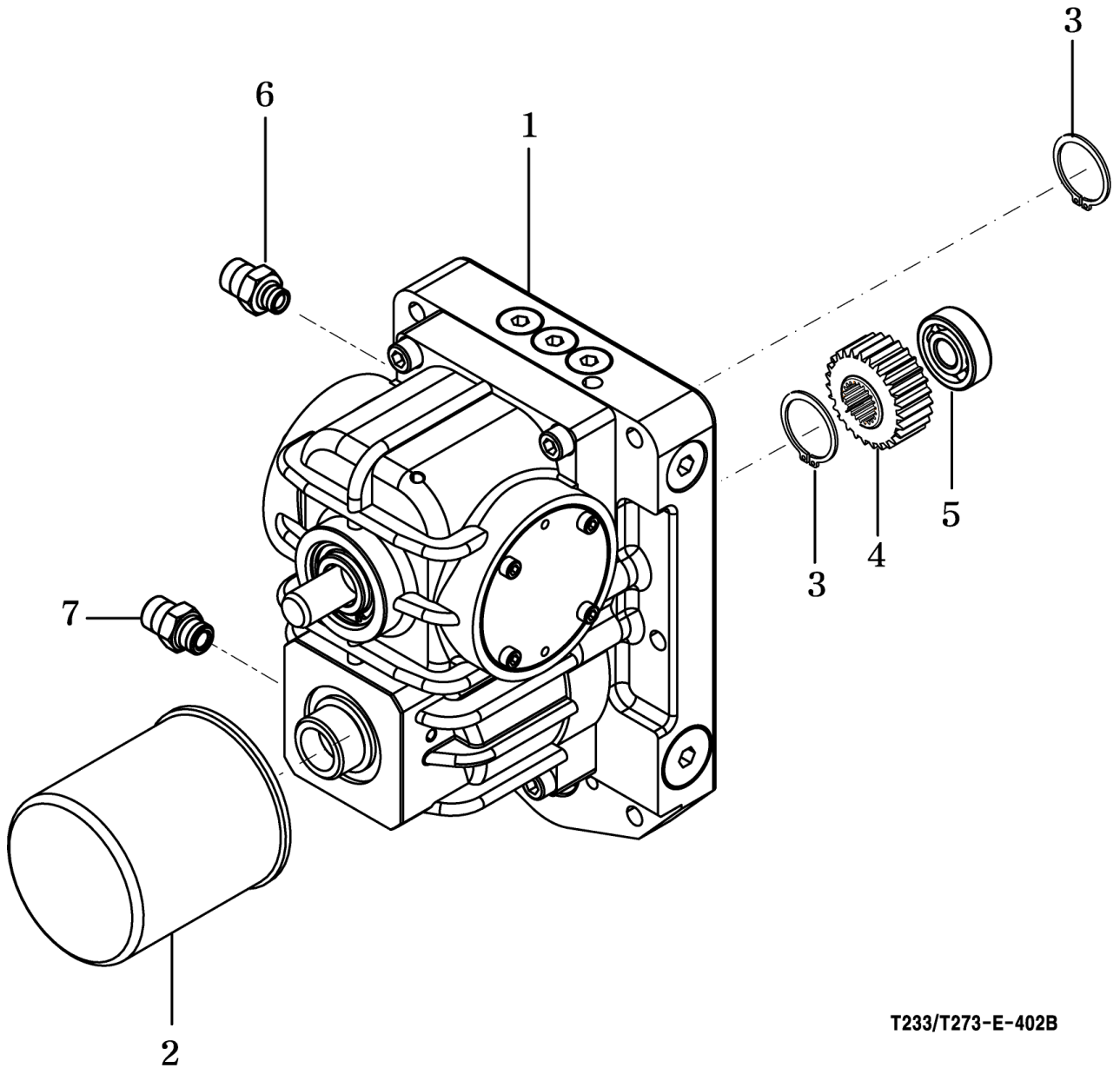
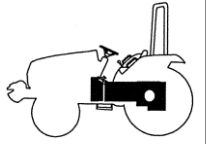
T233 / T273

HST

P1

Year / Month

2007 / 11



T233/T273-E-402B

NOTE

FIG 404

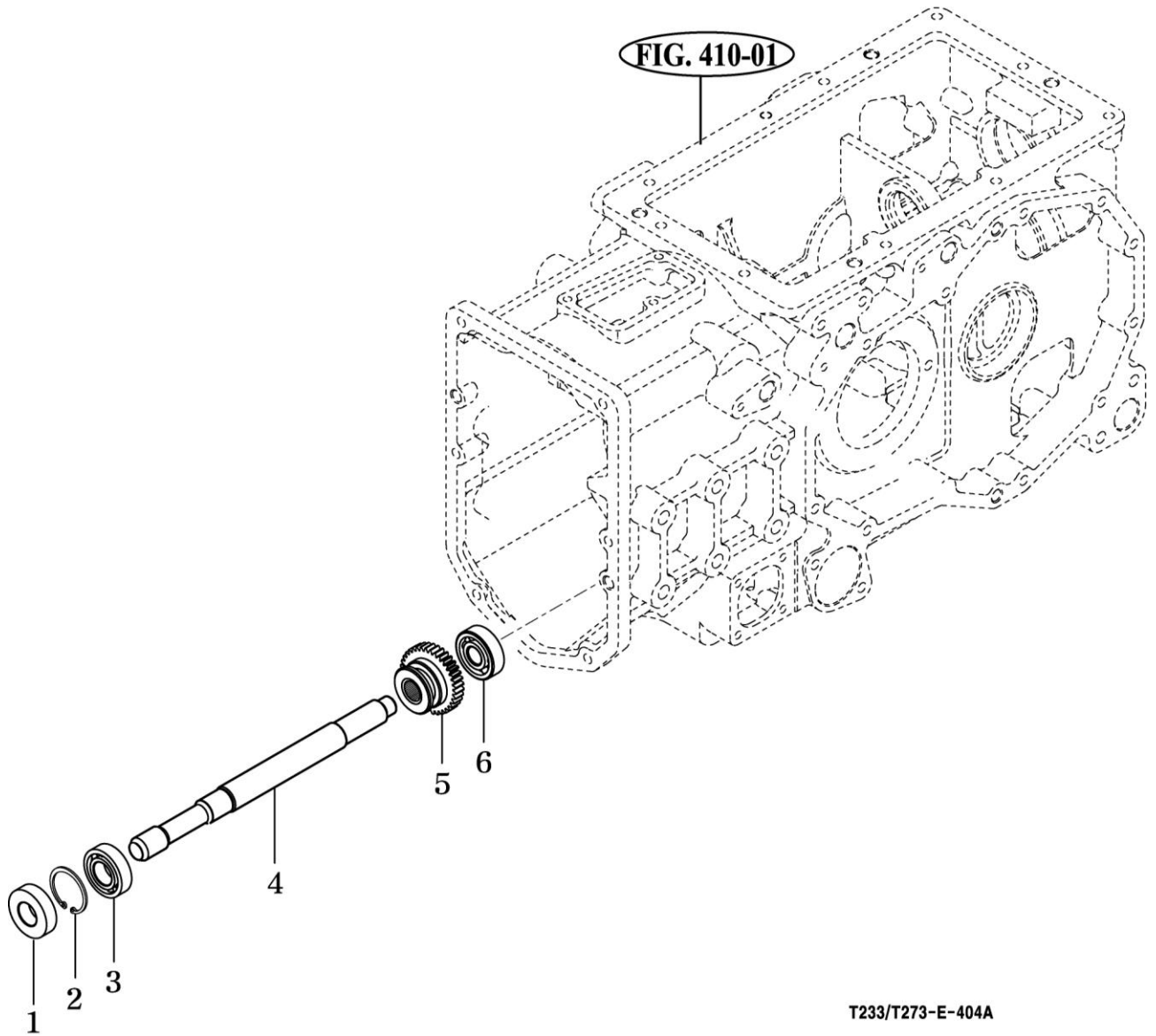
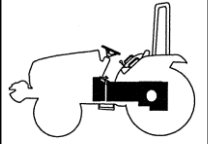
T233 / T273

4WD DRIVE GEAR

P1

Year / Month

2007 / 11



T233/T273-E-404A

NOTE

FIG 405

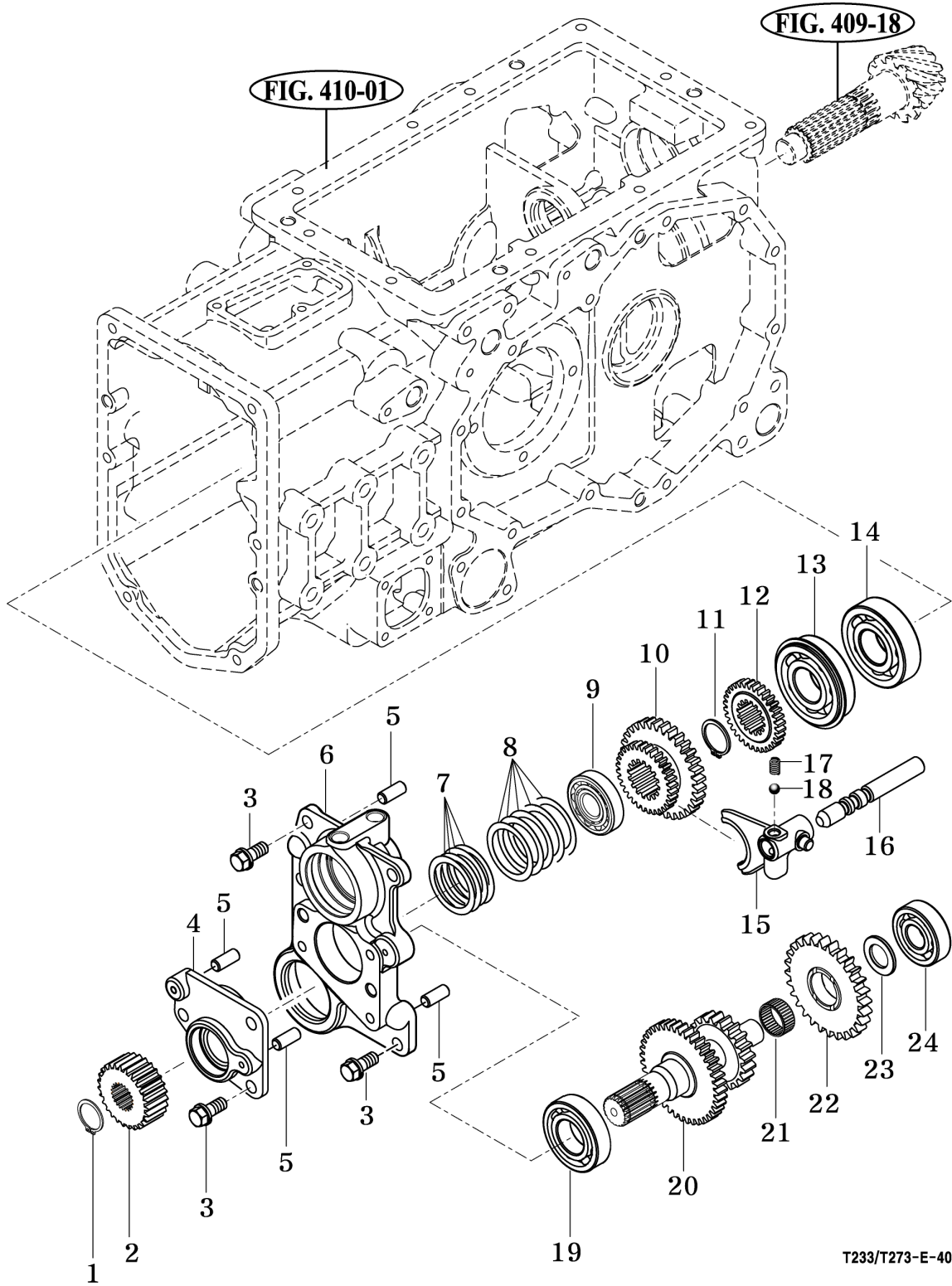
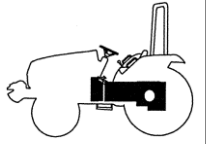
RANGE GEARS

T233 / T273

P1

Year / Month

2007 / 11



T233/T273-E-405A

NOTE

FIG 406

P.T.O DRIVE SHAFT

T233 / T273

P1

Year / Month

2007 / 11

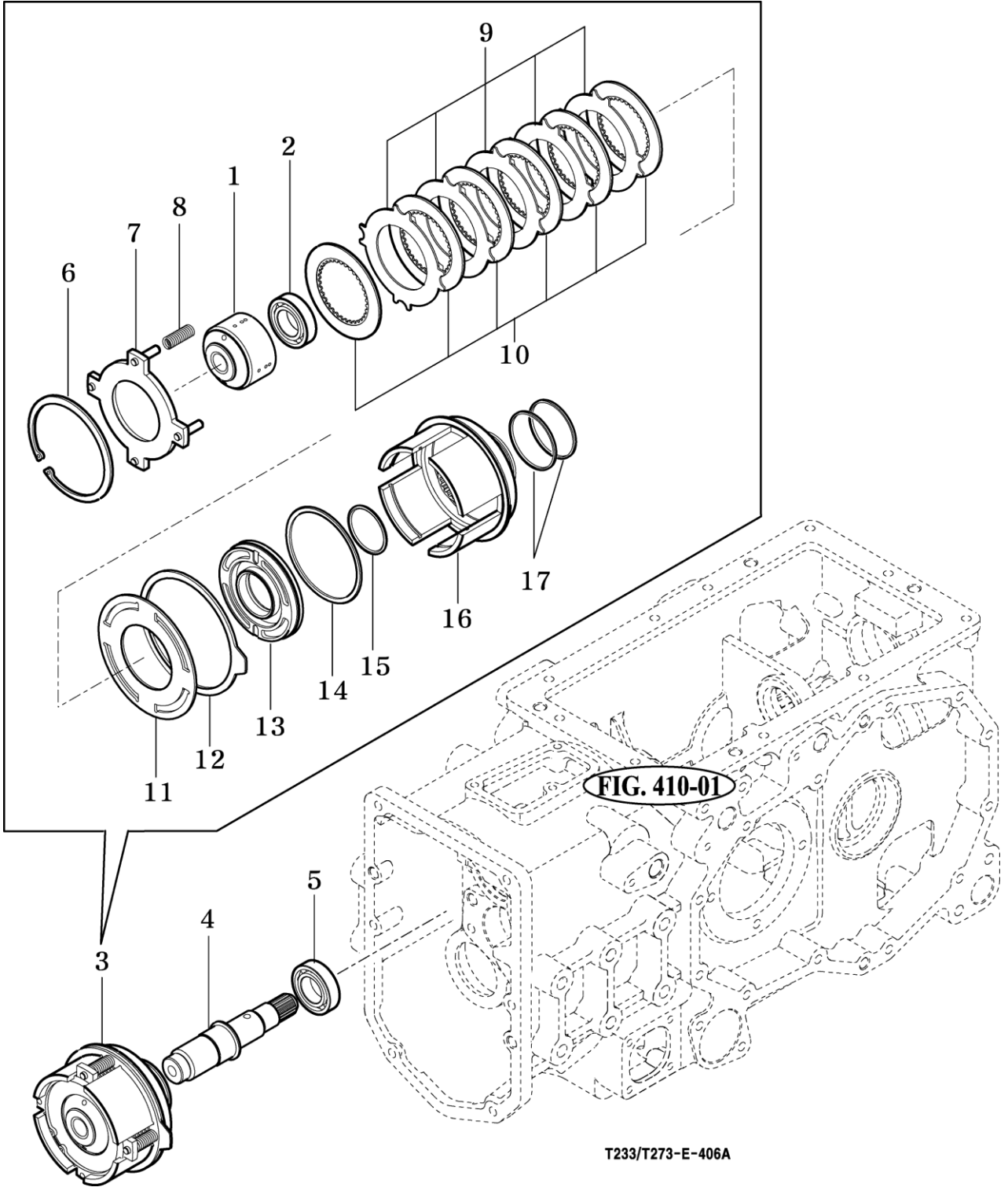
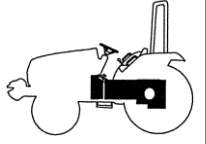


FIG. 410-01

T233/T273-E-406A

NOTE

FIG 407

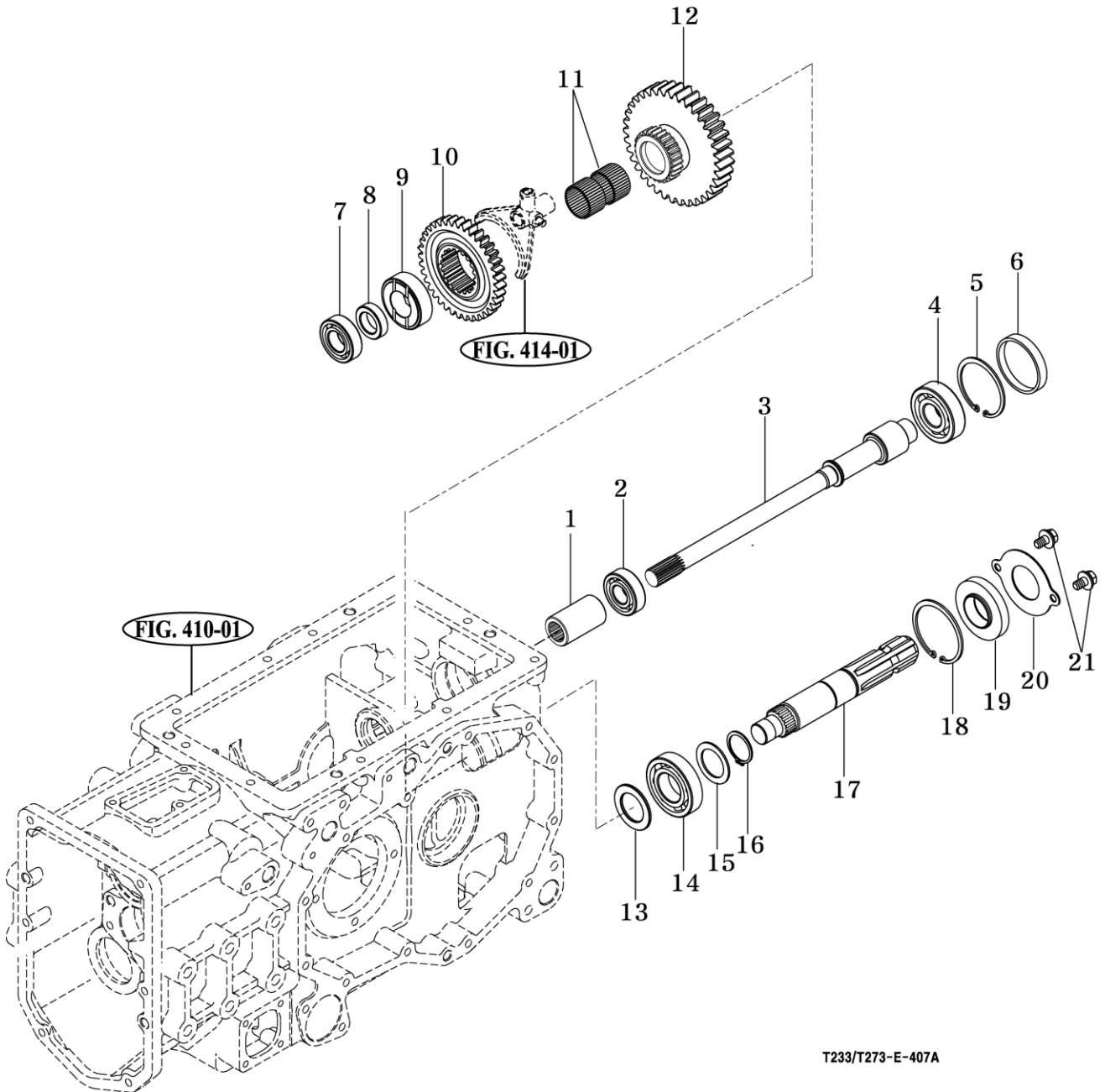
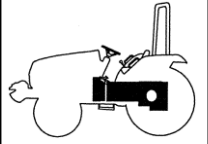
T233 / T273

P.T.O SHAFT

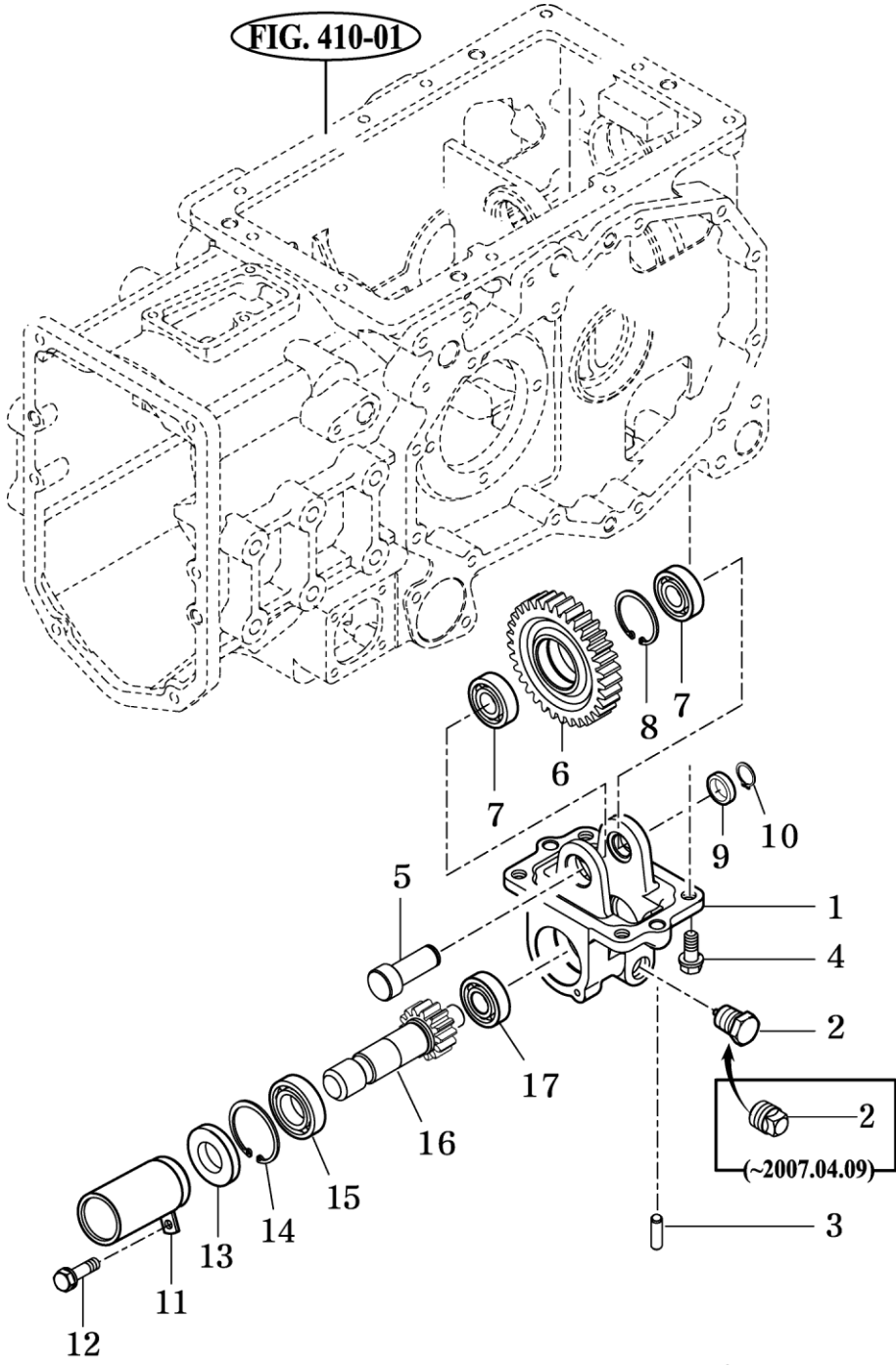
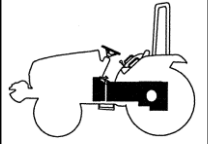
P1

Year / Month

2007 /11



NOTE



T233/T273-E-408B

NOTE USM4(OPTION)

FIG 409

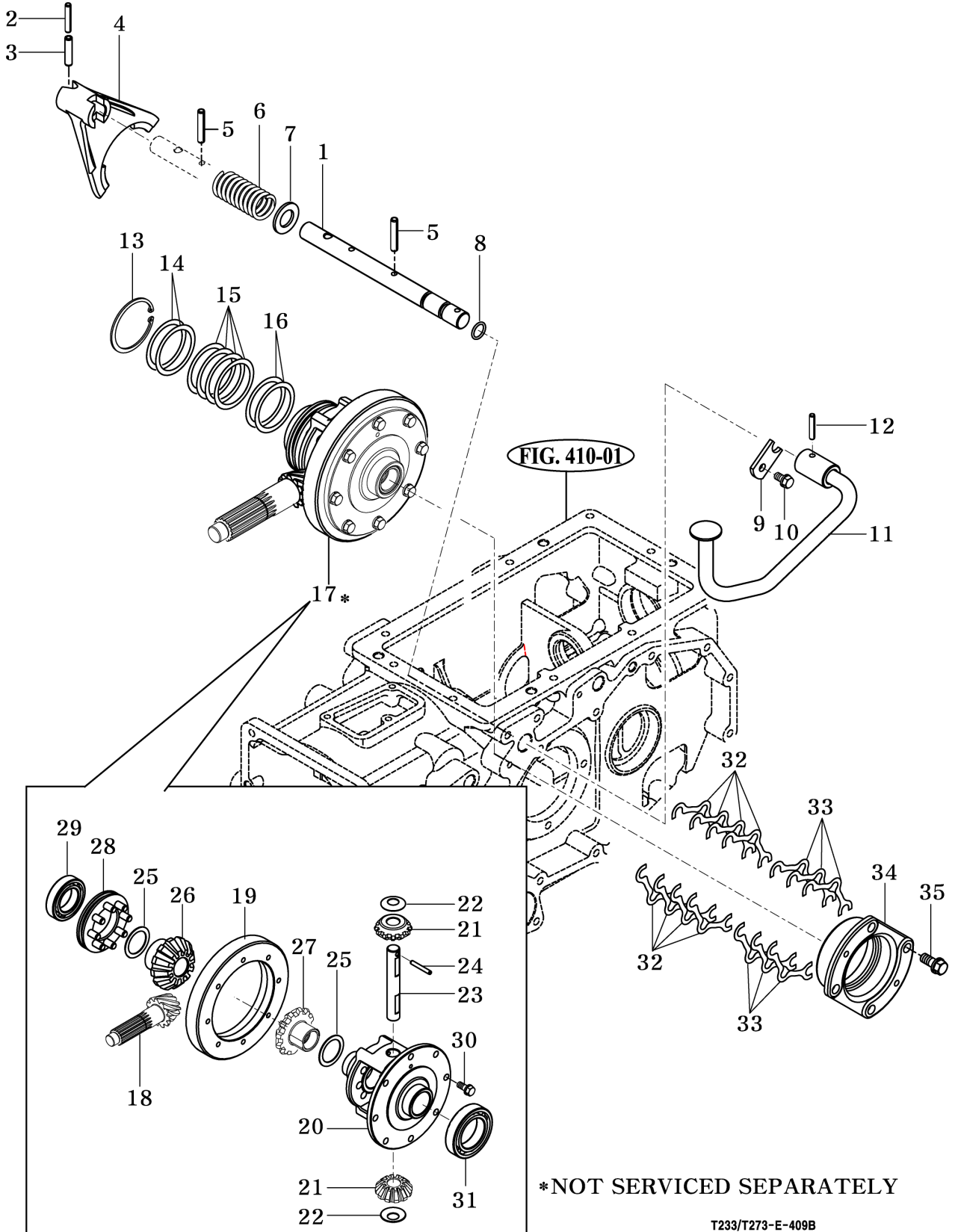
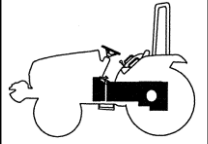
DIFF LOCK

T233 / T273

P1

Year / Month

2007 / 11



*NOT SERVICED SEPARATELY

T233/T273-E-409B

NOTE

FIG 410

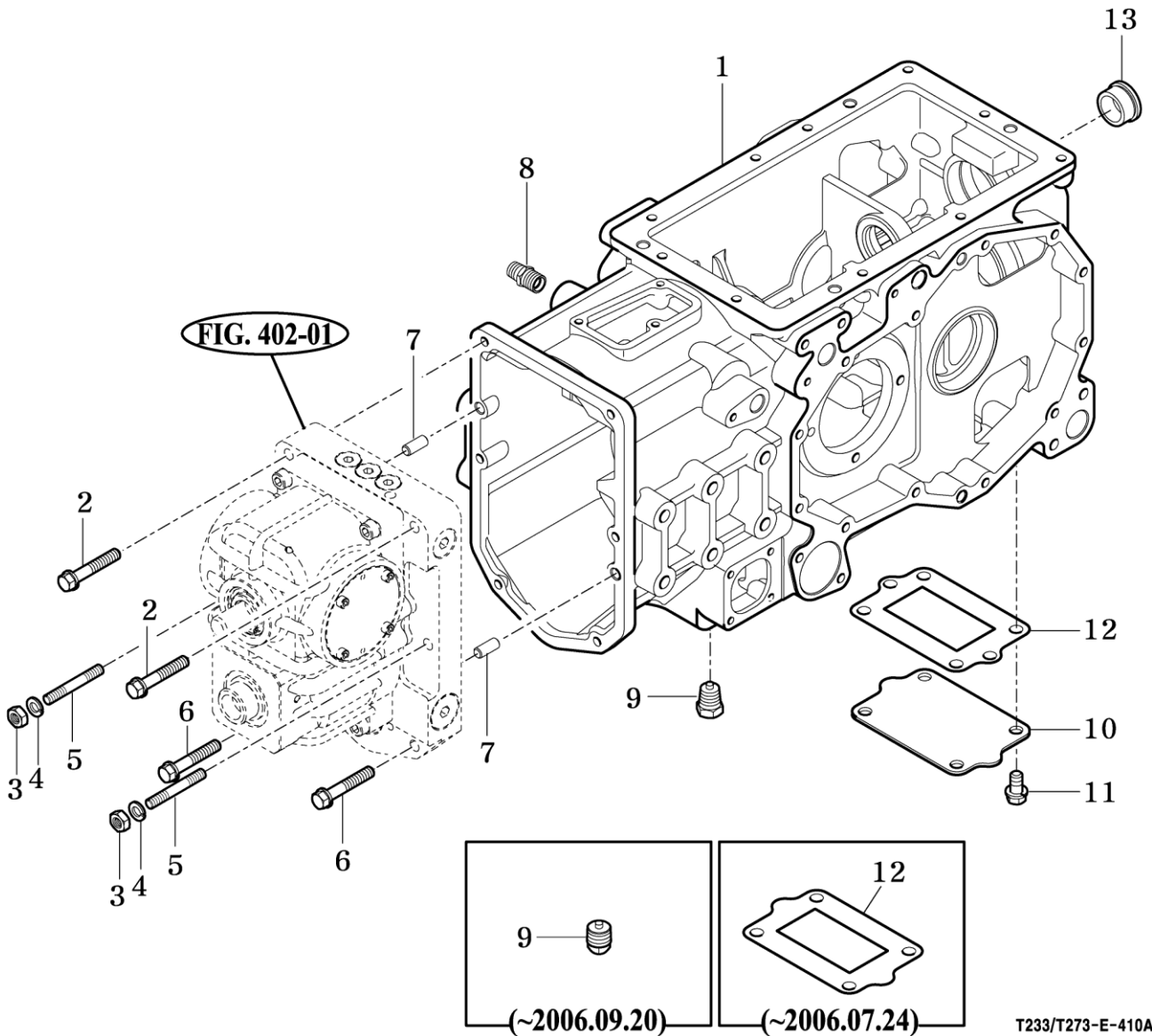
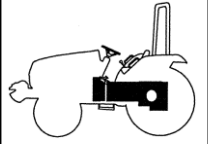
REAR TRANSMISSION CASE

T233 / T273

P1

Year / Month

2007 / 11



T233/T273-E-410A

NOTE

FIG 411

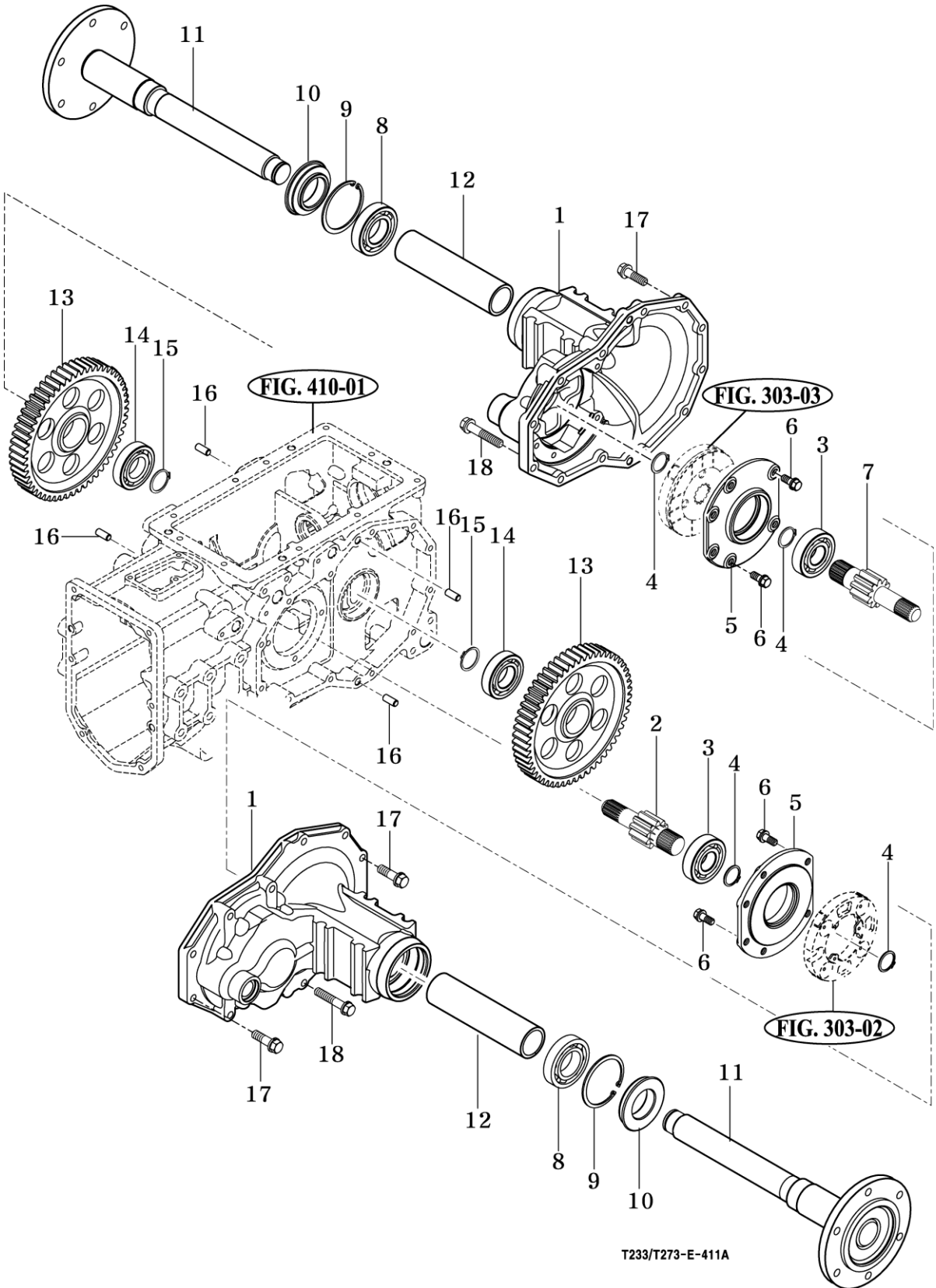
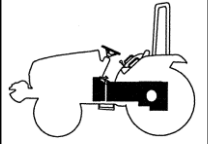
REAR AXLE HOUSINGS

T233 / T273

P1

Year / Month

2007 / 11



T233/T273-E-411A

NOTE

FIG 413

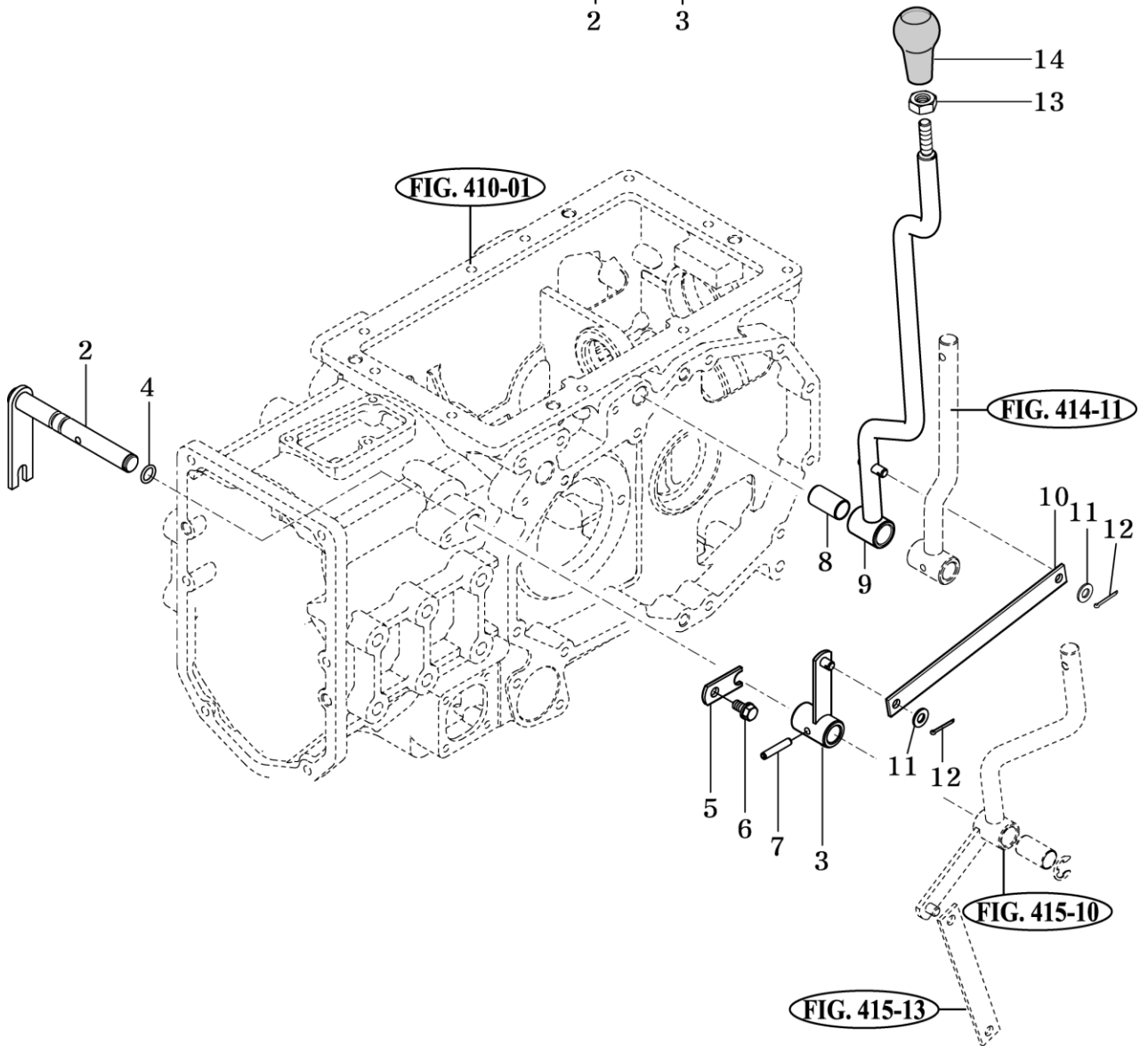
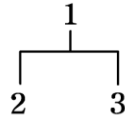
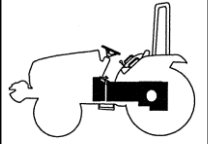
RANGE SHIFT LEVER

T233 / T273

P1

Year / Month

2007 / 11



T233/T273-E-413A

NOTE

FIG 414

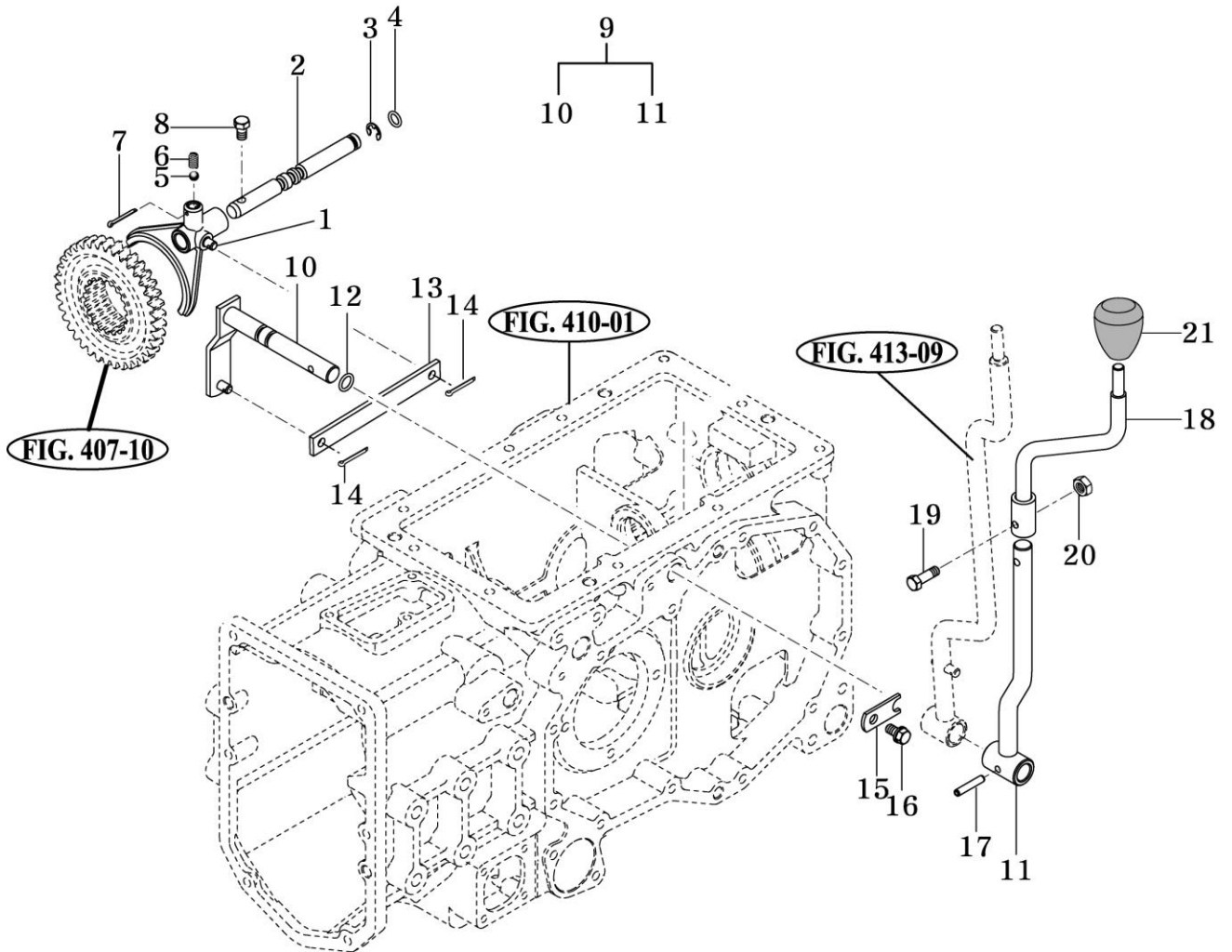
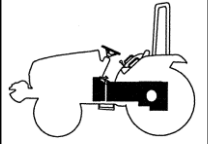
P.T.O CHANGE LEVER

T233 / T273

P1

Year / Month

2007 / 11



T233/T273-E-414B

NOTE

FIG 415

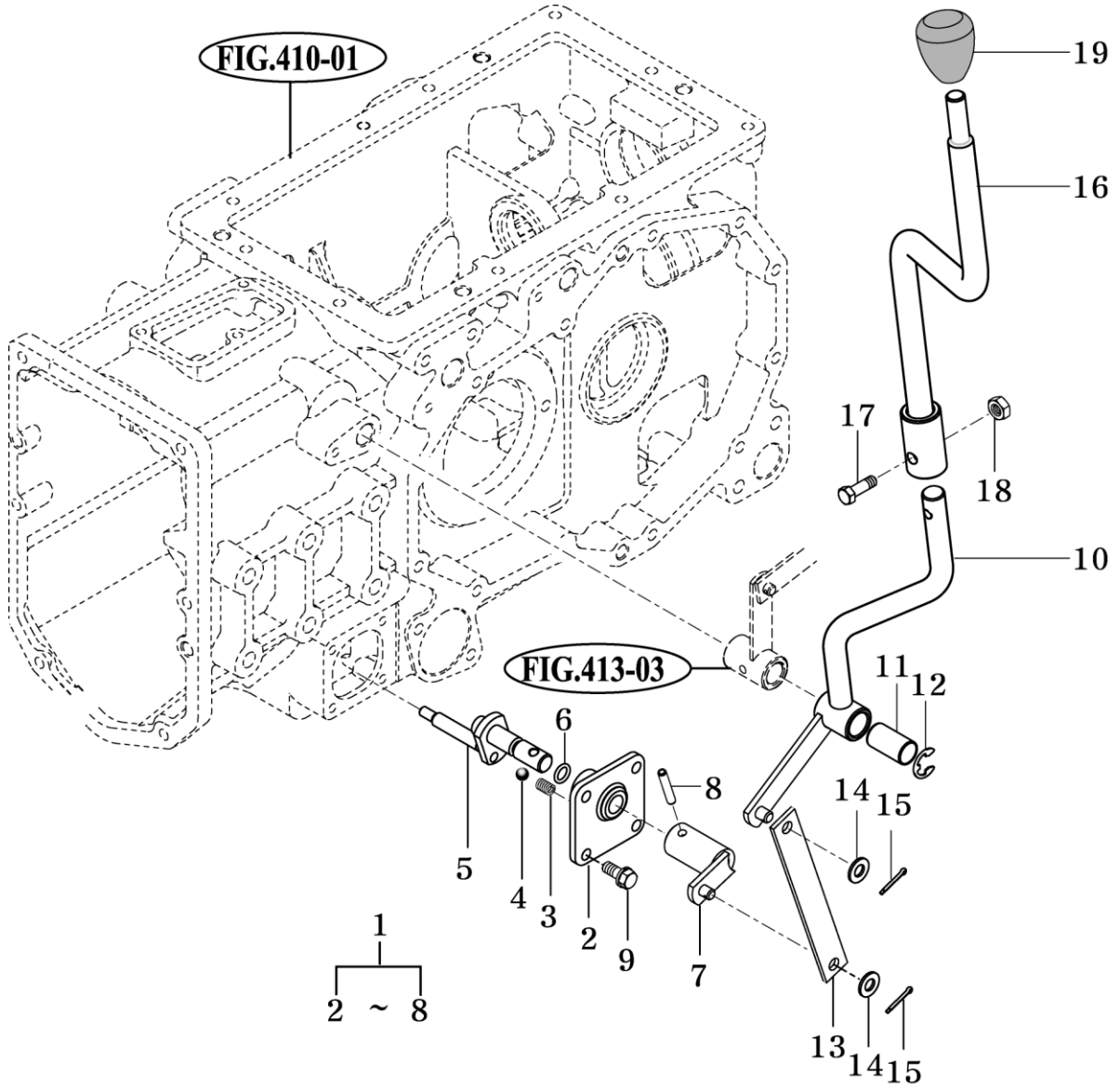
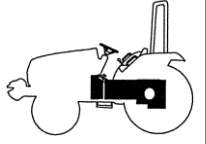
4WD CHANGE LEVER

T233 / T273

P1

Year / Month

2007 / 11



T233/T273-E-415A

NOTE