

FIG 201

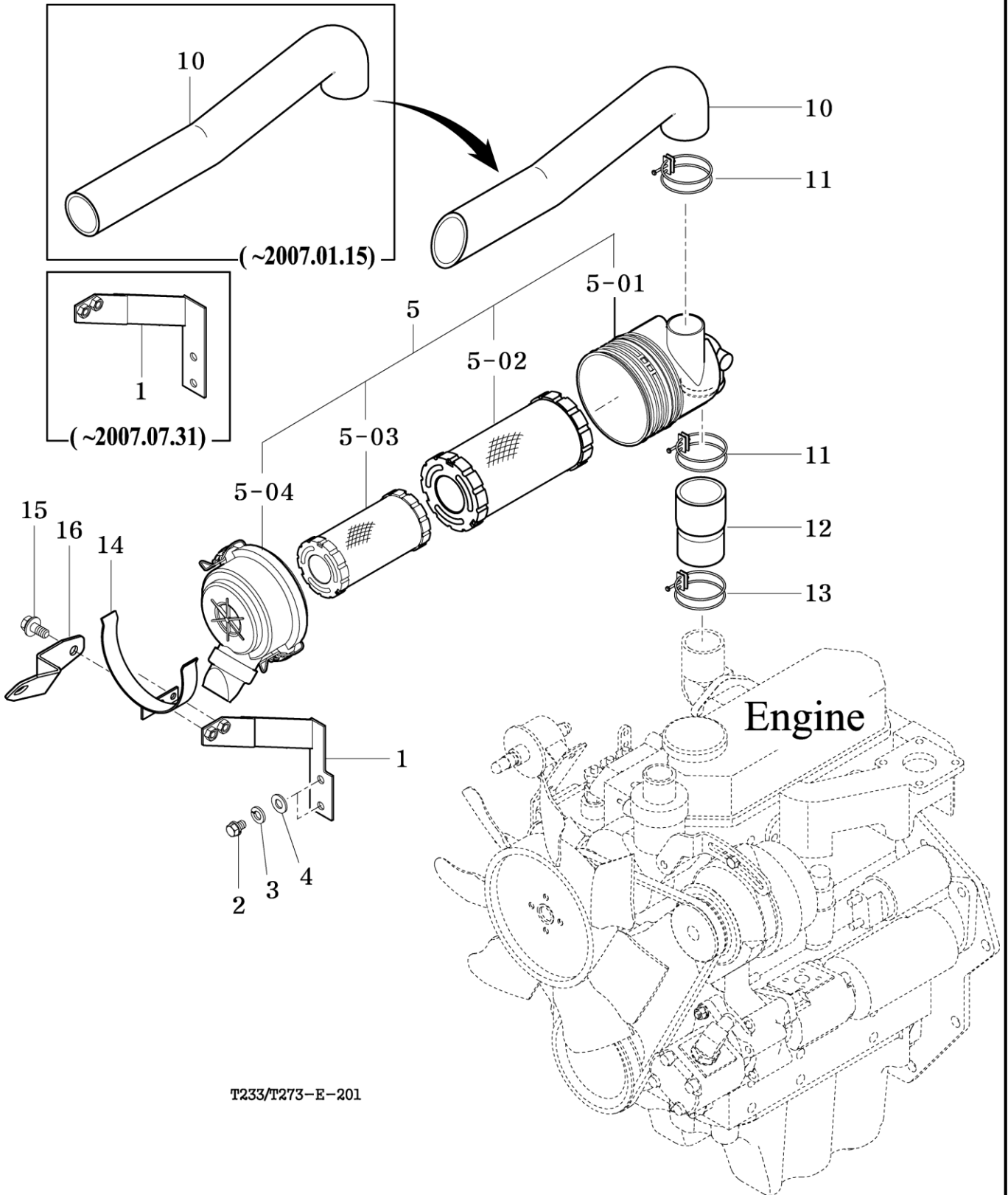
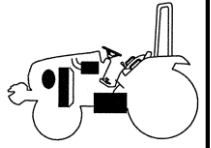
# AIR CLEANER

T233 / T273

P1

Year / Month

2007 / 11



T233/T273-E-201

NOTE

FIG 202

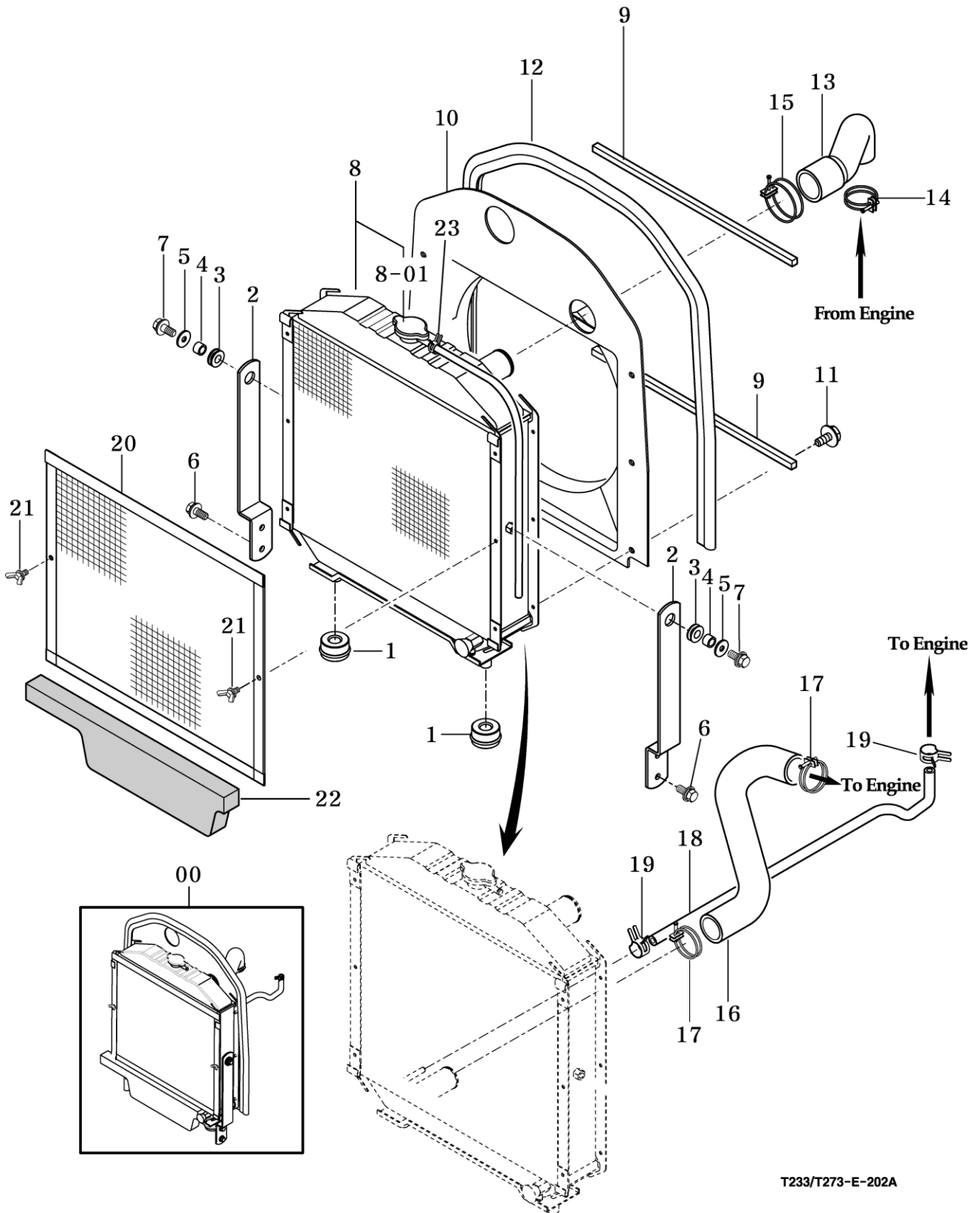
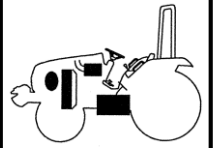
T233 / T273

# RADIATOR

P1

Year / Month

2007 / 11



T233/T273-E-202A

NOTE

FIG 203

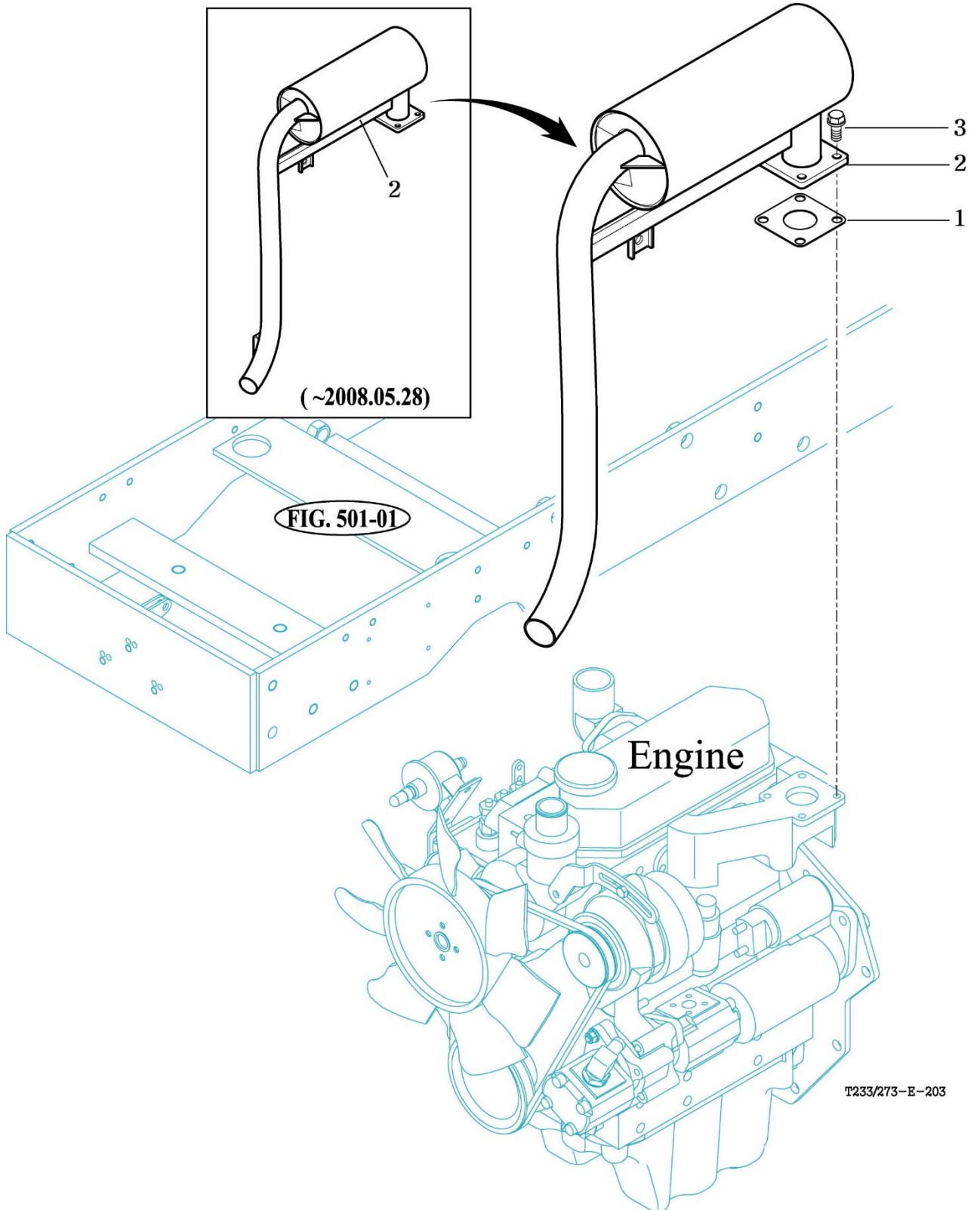
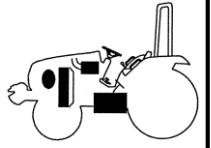
T233 / T273

MUFFLER

P1

Year / Month

2007 / 11



NOTE

FIG 204

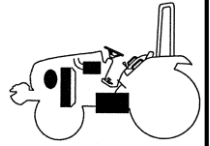
FUEL TANK & FUEL LINE

T233 / T273

P1

Year / Month

2007 / 11



(Engine VIEW-LIFT)

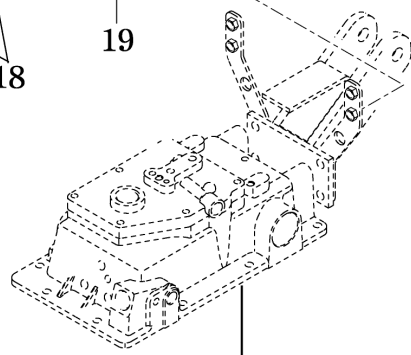
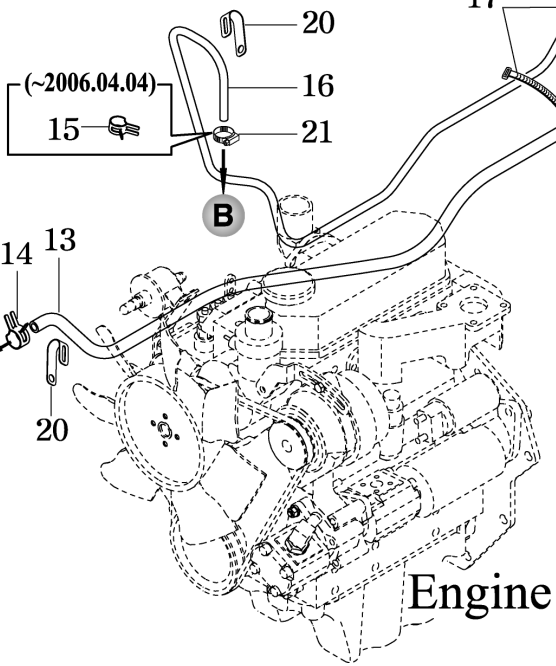
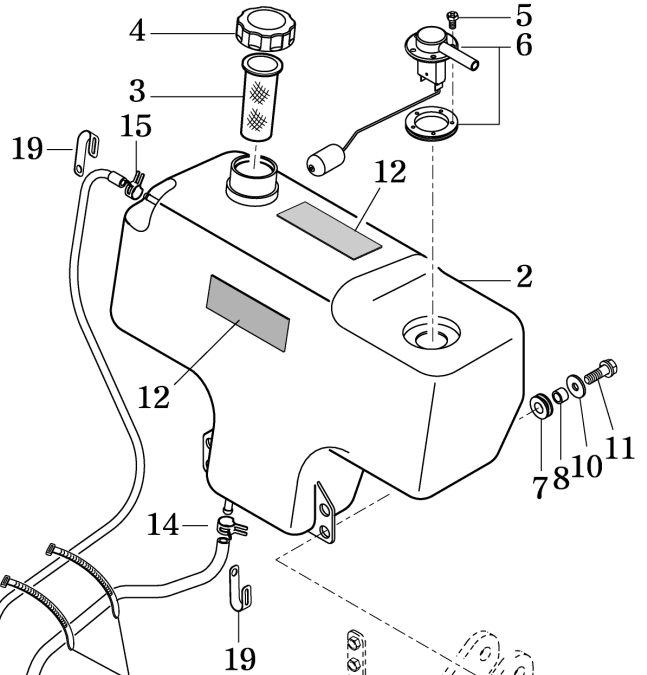
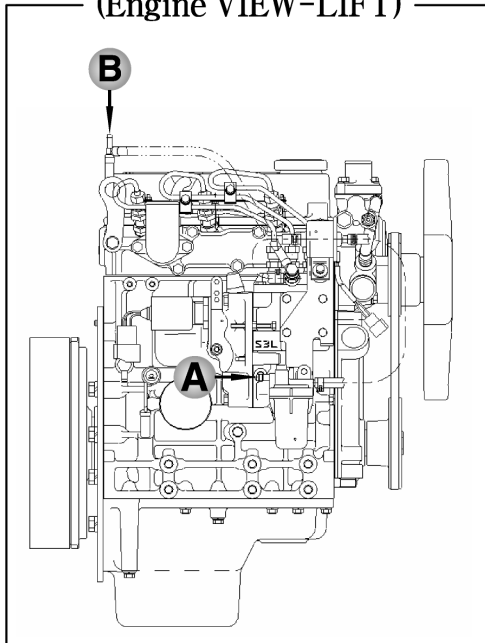
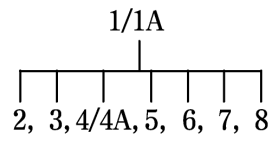


FIG. 601-01



T233/T273-E-204B

NOTE

FIG 205

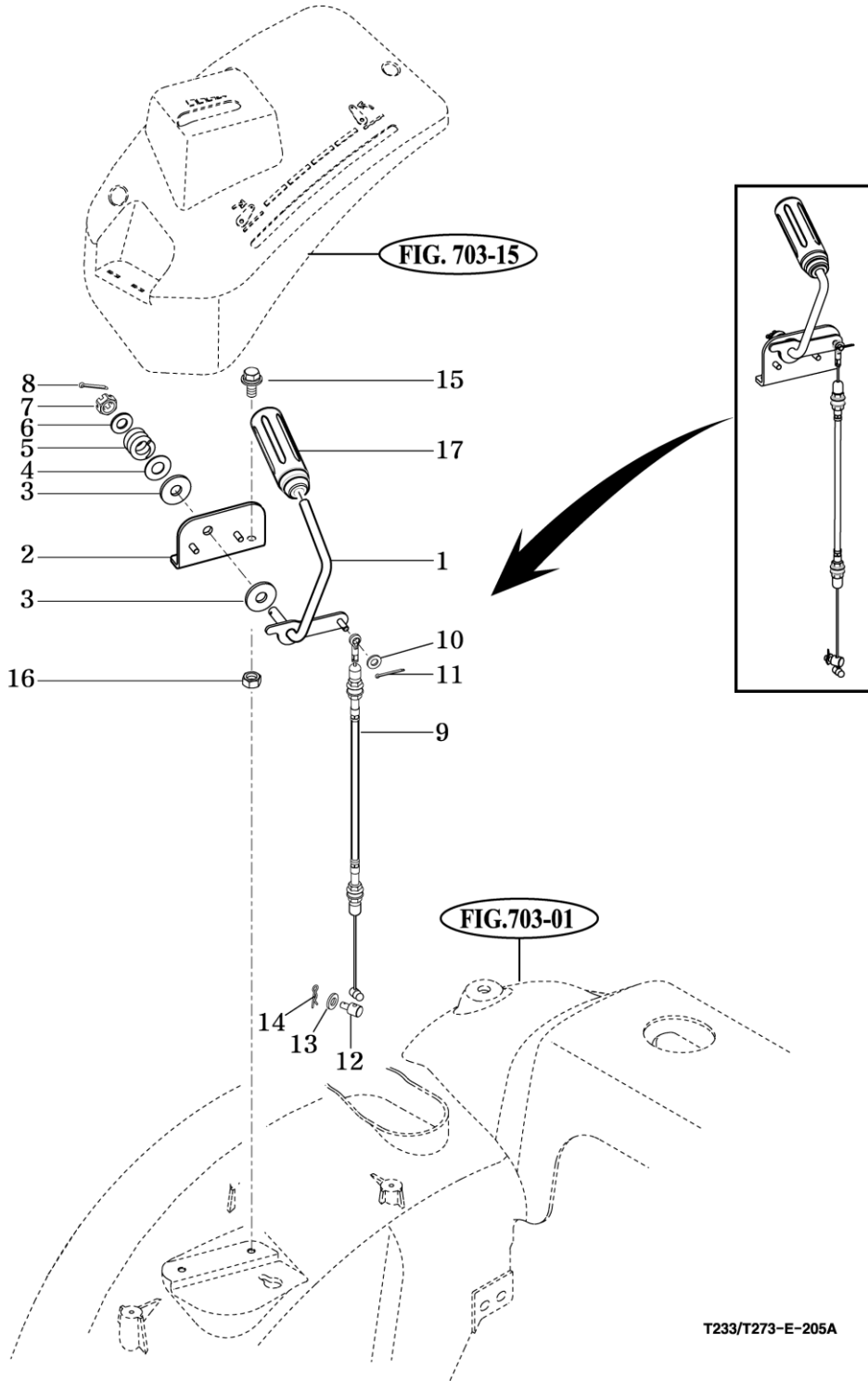
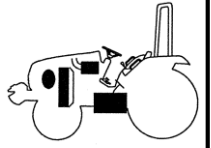
T233 / T273

# ACCELERATOR

P1

Year / Month

2007 / 11



T233/T273-E-205A

NOTE

FIG 206

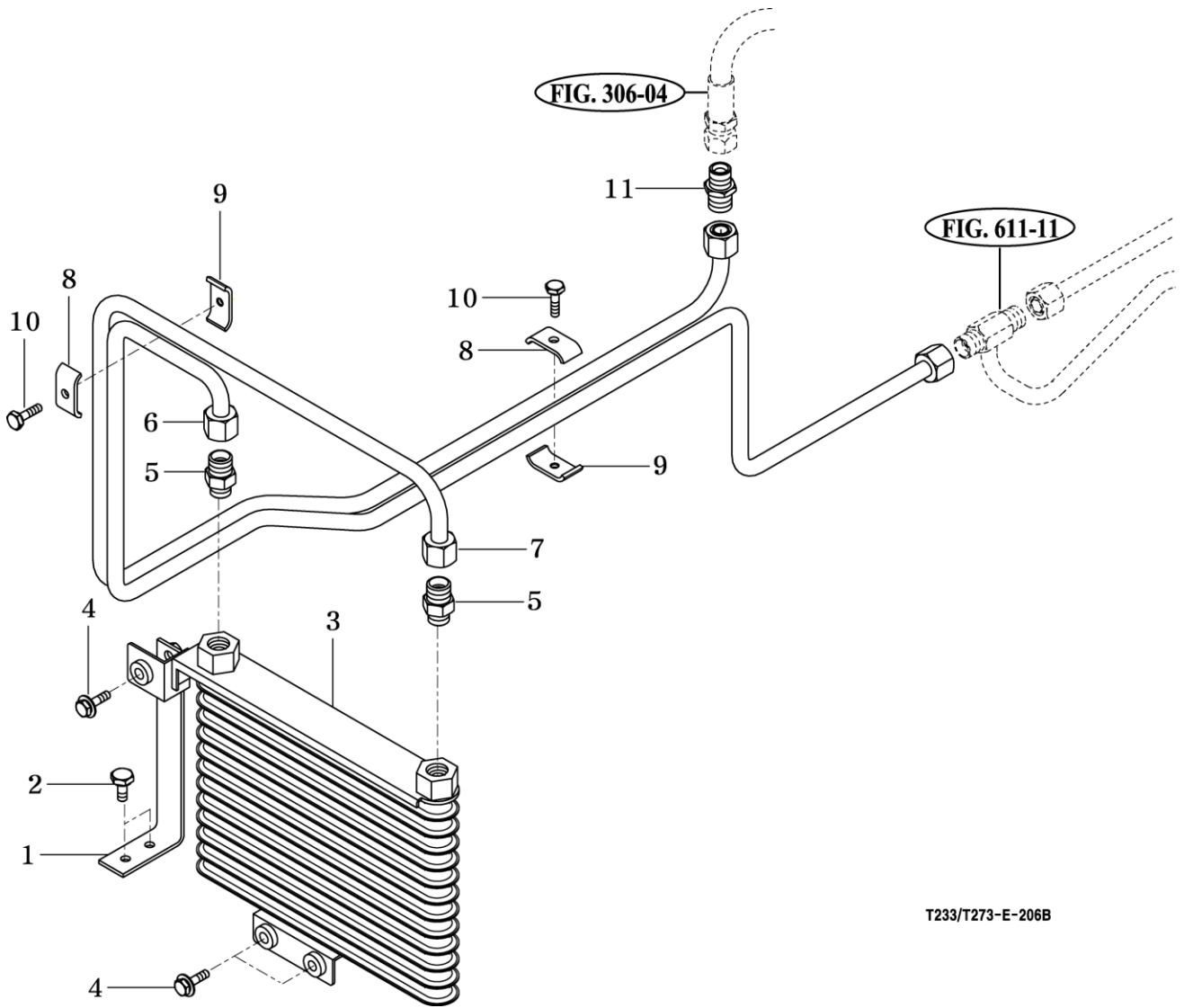
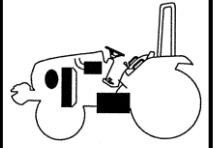
T233 / T273

# OIL COOLER

P1

Year / Month

2007 / 11



T233/T273-E-206B

NOTE

FIG 207

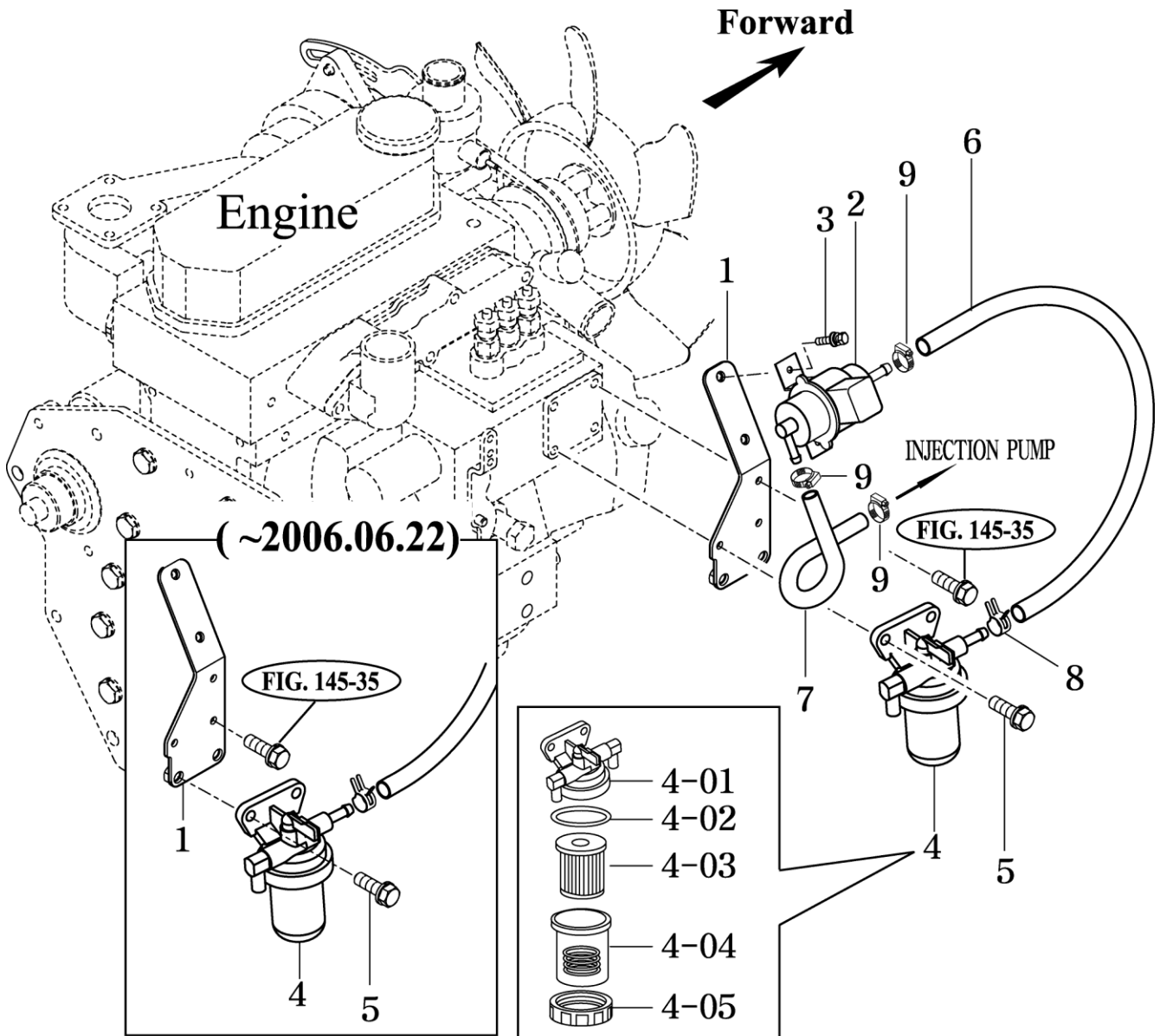
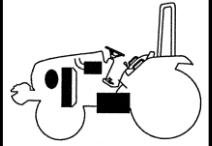
FUEL PUMP & FILTER

T233 / T273

P1

Year / Month

2007 / 11



T233/T273-E-207B

NOTE